

1997 ELECTRICAL

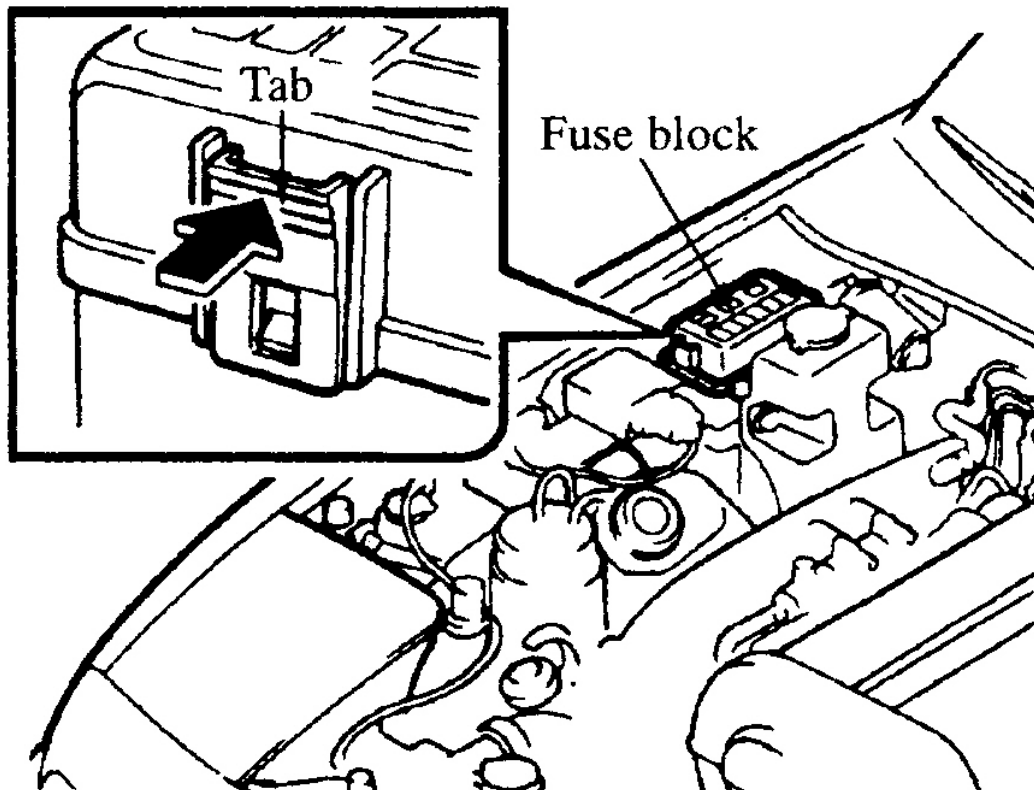
Fuses & Circuit Breakers - MX-5 Miata

IDENTIFICATION

CAUTION: When battery is disconnected, vehicle computer and memory systems may lose memory data. Driveability problems may exist until computer systems have completed a relearn cycle. See **COMPUTER RELEARN PROCEDURES** article in **GENERAL INFORMATION** before disconnecting battery.

MAIN FUSE BLOCK

Main fuse block is located on passenger's side of engine compartment. See **Fig. 1**.



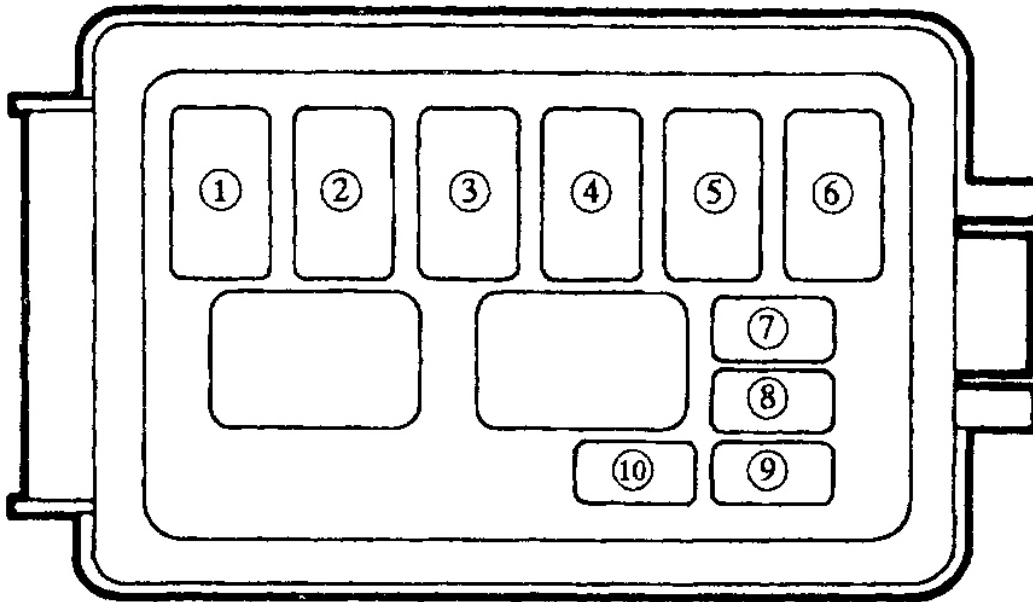
G00130712

Fig. 1: Locating Main Fuse Block

1997 Mazda MX-5 Miata

1997 ELECTRICAL Fuses & Circuit Breakers - MX-5 Miata

Courtesy of MAZDA MOTORS CORP.



G00130713

Fig. 2: Identifying Main Fuse Block Components
 Courtesy of MAZDA MOTORS CORP.

POSITION	DESCRIPTION	COLOR	CIRCUIT PROTECTED	
1	HEAD	30A	Pink	Headlights
2	FUEL INJ	30A	Pink	Fuel injection, Alternator
3	MAIN	80A	Black	For protection of all circuits
4	BTN	40A	Green	Refer to HAZARD (15A), STOP (15A), ROOM (10A), TAIL (15A)
5	ABS*	30A	Pink	Antilock brake system
6	COOLING FAN	30A	Pink	Cooling fan
7	—	—	—	—
8	AD FAN*	20A	Yellow	Additional fan (Air conditioner)
9	ST SIGN	10A	Red	Fuel injection
10	RETRACTOR	30A	Green	Headlight retractor

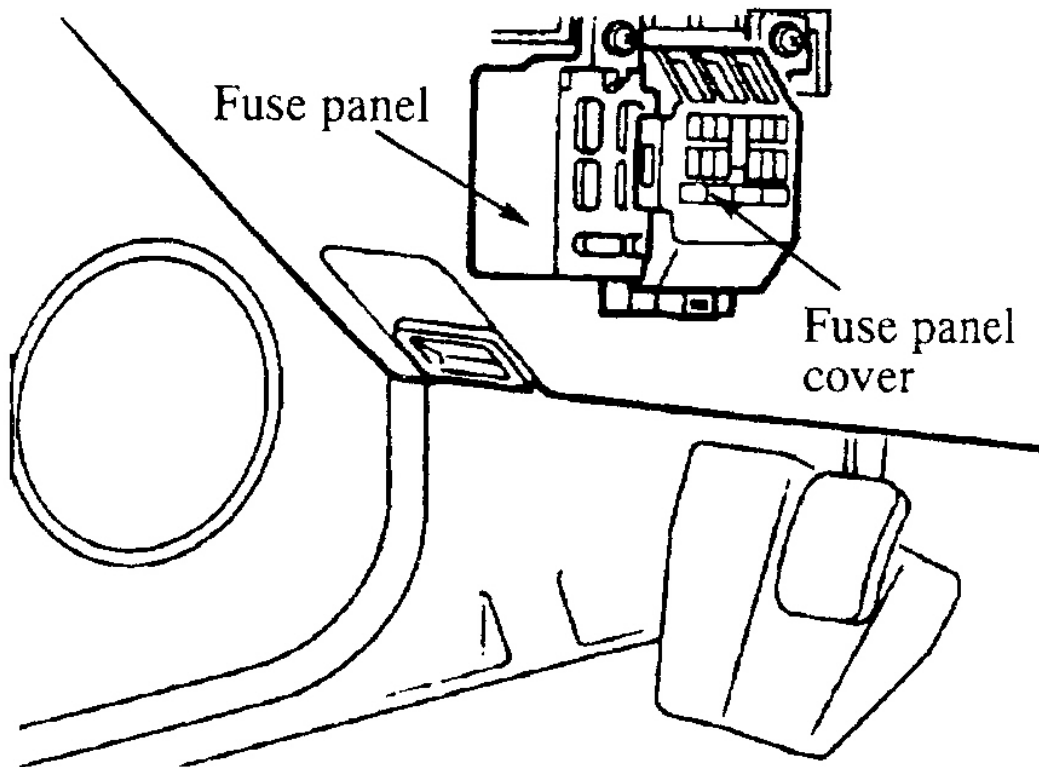
*Some models.

G00130714

Fig. 3: Main Fuse Block Legend
Courtesy of MAZDA MOTORS CORP.

FUSE BLOCK

Fuse block is located under driver's side of instrument panel. See **Fig. 4** .

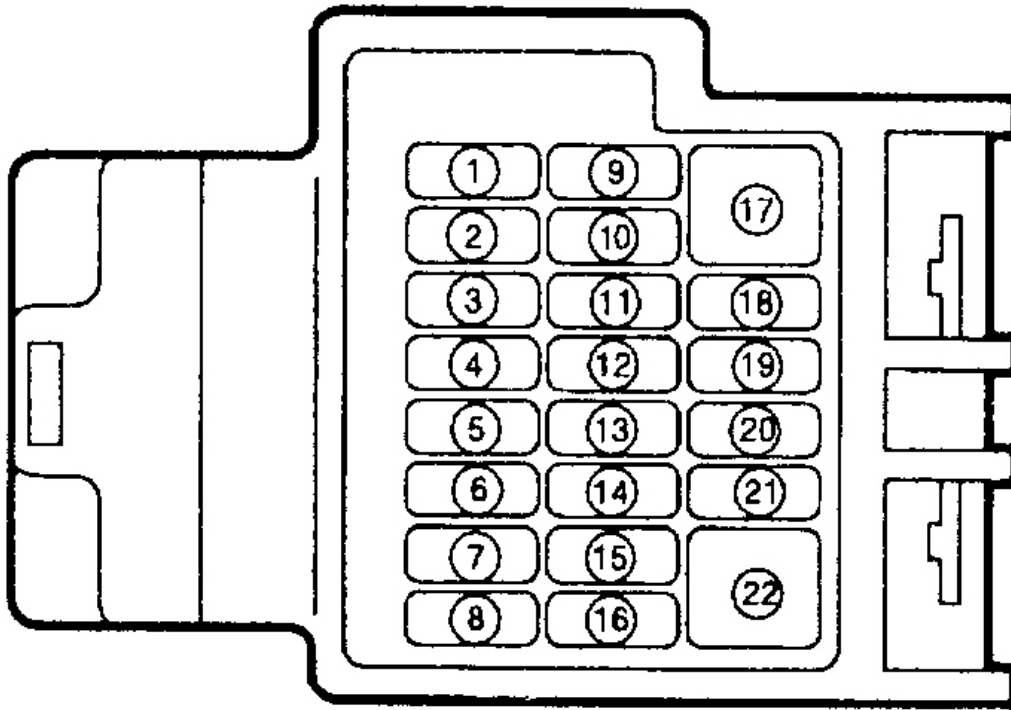


G00130715

Fig. 4: Locating Fuse Block
Courtesy of MAZDA MOTORS CORP.

1997 Mazda MX-5 Miata

1997 ELECTRICAL Fuses & Circuit Breakers - MX-5 Miata



G00130716

Fig. 5: Identifying Fuse Block Components
Courtesy of MAZDA MOTORS CORP.

1997 Mazda MX-5 Miata

1997 ELECTRICAL Fuses & Circuit Breakers - MX-5 Miata

POSITION	DESCRIPTION	COLOR	CIRCUIT PROTECTED	
1	ROOM	10A	Red	Interior light, Warning buzzers, Radio/cassette and compact disc player and clock
2	—	—	—	—
3	—	—	—	—
4	TAIL	15A	Blue	Tail lights
5	STOP	15A	Blue	Shift lock, Cruise control, Horn, Brakelights
6	HAZARD	15A	Blue	Hazard warning lights
7	—	—	—	—
8	—	—	—	—
9	CIGAR	15A	Blue	Radio/cassette and compact disc player and clock, Cigarette lighter
10	—	—	—	—
11	WIPER	20A	Yellow	Wipers, Washer
12	P.WIND*	30A	Green	Power windows
13	—	—	—	—
14	—	—	—	—
15	METER	15A	Blue	Gauges, Warning lights, Turn-signal lights, Cruise control
16	ENGINE	15A	Blue	Cooling fan
17	HEATER	30A	Pink	Heater
18	—	—	—	—
19	—	—	—	—
20	DEFOG*	10A	—	—
21	ANTENNA*	10A	—	—
22	—	—	—	—

* Some models.

G00130717

Fig. 6: Fuse Block Legend

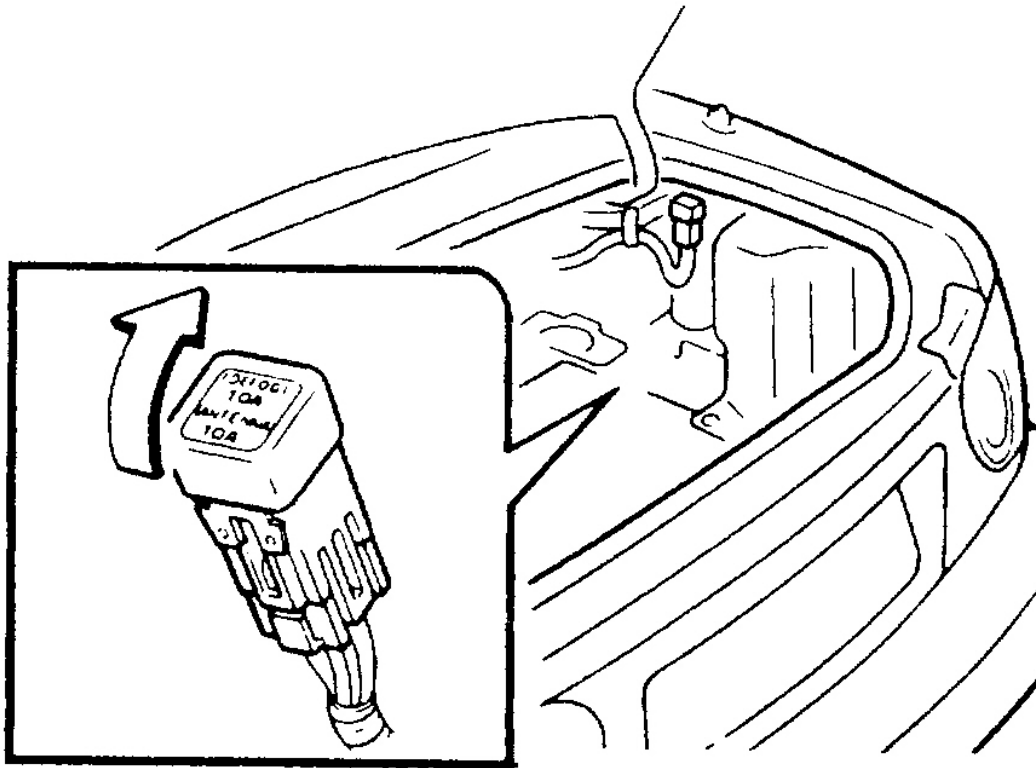
Courtesy of MAZDA MOTORS CORP.

TRUNK FUSE BOX

Trunk fuse block is located in passenger's side of the trunk. See **Fig. 7**.

1997 Mazda MX-5 Miata

1997 ELECTRICAL Fuses & Circuit Breakers - MX-5 Miata

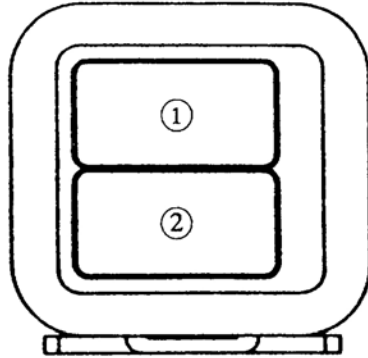


G00130718

Fig. 7: Locating Trunk Fuse Box
Courtesy of MAZDA MOTORS CORP.

1997 Mazda MX-5 Miata

1997 ELECTRICAL Fuses & Circuit Breakers - MX-5 Miata



▼ Fuse panel (Trunk)

POSITION	DESCRIPTION	COLOR	CIRCUIT PROTECTED	
1	DEFOG*	10A	Red	Rear defroster
2	ANTENNA*	10A	Red	Auto antenna

* Some models.

G00130719

Fig. 8: Identifying Trunk Fuse Box Components & Legend
Courtesy of MAZDA MOTORS CORP.