

2007 Mazda MX-5 Miata Sport

2007 MAZDA MX-5 Miata

2007 MAZDA

MX-5 Miata

BUZZERS, RELAYS & TIMERS

BUZZERS, RELAYS & TIMERS LOCATION

Component	Location
A/C Relay (AIR COND)	In relay & main fuse block. See Fig. 1.
Blower Relay (HEATER)	In relay & main fuse block. See Fig. 1.
Cooling Fan Relay No. 1 (COOLING FAN1)	In relay & main fuse block. See Fig. 1.
Cooling Fan Relay No. 2 (COOLING FAN2)	In relay & main fuse block. See Fig. 1.
Cooling Fan Relay No. 3 (COOLING FAN3)	In relay & main fuse block. See Fig. 1.
Drive-By-Wire Relay (ETV)	In relay & main fuse block. See Fig. 1.
Front Fog Light Relay (FOG)	In relay & main fuse block. See Fig. 1.
Fuel Pump Relay (CIRCUIT)	In relay & main fuse block. See Fig. 1.
Headlight Relay (HEAD)	In relay & main fuse block. See Fig. 1.
Horn Relay (HORN)	In relay & main fuse block. See Fig. 1.
Ignition Relay (IGNITION)	In relay & main fuse block. See Fig. 1.
Keyless Buzzer	Front of luggage compartment. See Fig. 35.
Main Relay (EGI)	In relay & main fuse block. See Fig. 1.
Rear Window Defroster Relay (DEFOG)	In relay & main fuse block. See Fig. 1.
Starter Relay (ST)	In relay & main fuse block. See Fig. 1.
TNS Relay (TAIL)	In relay & main fuse block. See Fig. 1.
Trunk Lid Opener Relay	Lower rear center of luggage compartment. See Fig. 38.

CIRCUIT PROTECTION DEVICES

CIRCUIT PROTECTION DEVICES LOCATION

Component	Location
Fuse Block	Behind left end of dash. See Fig. 9.
Relay & Main Fuse Block	Left side of engine compartment. See Fig. 4.

CONTROL UNITS

CONTROL UNITS LOCATION

Component	Location
ABS HU/CM	Right front of engine compartment. See Fig. 16.
DRL Control Module	Behind left side of dash. See Fig. 40.
DSC HU/CM	Right front of engine compartment. See Fig. 17.
Flasher Control Module	Behind left side of dash. See Fig. 41.

2007 Mazda MX-5 Miata Sport

2007 MAZDA MX-5 Miata

Keyless Control Module	Behind left end of dash. See Fig. 32.
PCM	Left front corner of engine compartment. See Fig. 9.
Power Retractable Hardtop Control Module	Left side of retractable top storage compartment. See Fig. 57.
SAS Control Module	Under front of center console. See Fig. 24.
Seat Weight Sensor Control Module	Under passenger seat. See Fig. 27.
TCM	Behind left end of dash. See Fig. 19.

MOTORS

MOTORS LOCATION

Component	Location
Airflow Mode Actuator	Behind center of dash. See Fig. 22.
Air Intake Actuator	Behind right side of dash. See Fig. 22.
Blower Motor	Integral to blower unit, behind right side of dash. See Fig. 21.
Cooling Fan Motor	Behind radiator. See Fig. 5.
Deck Panel Motor (Left)	Left side of retractable top storage compartment. See Fig. 54.
Deck Panel Motor (Right)	Right side of retractable top storage compartment. See Fig. 52.
Evaporative System Leak Detection Pump	Under rear center of vehicle. See Fig. 14.
Front Door Lock Actuator (Left/Right)	In respective front door. See Fig. 36.
Fuel Pump Unit	Under rear center of vehicle. See Fig. 6.
Mix Air Actuator	Behind right side of dash. See Fig. 22.
Power Outer Mirror (Left/Right)	On front respective door. See Fig. 30.
Power Window Motor (Left/Right)	In respective front door. See Fig. 29.
Roof Motor (Left)	Left side of retractable top storage compartment. See Fig. 58.
Roof Motor (Right)	Right Side Of Retractable Top Storage Compartment. See Fig. 50.
Starter	Lower left side of engine. See Fig. 8.
Trunk Lid Opener	Lower rear center of luggage compartment lid. See Fig. 38.
Washer Motor	On washer fluid reservoir. See Fig. 43.
Wiper Motor	On left side of firewall. See Fig. 43.

SENDING UNITS & SENSORS

SENDING UNITS & SENSORS LOCATION

Component	Location
ABS Wheel-Speed Sensor (Left Front)	At left front wheel. See Fig. 16.
ABS Wheel-Speed Sensor (Left Rear)	At left rear wheel. See Fig. 16.
ABS Wheel-Speed Sensor (Right Front)	At right front wheel. See Fig. 16.
ABS Wheel-Speed Sensor (Right Rear)	At right rear wheel. See Fig. 16.
Accelerator Pedal Position Sensor	Top of accelerator pedal assembly. See Fig. 11.

2007 Mazda MX-5 Miata Sport

2007 MAZDA MX-5 Miata

Brake Fluid Level Sensor	In brake fluid reservoir. See Fig. 46.
Camshaft Position Sensor	Right rear of engine. See Fig. 12.
Combined Sensor	Under rear of center console. See Fig. 18.
Crankshaft Position Sensor	On front of engine. See Fig. 12.
Crash Zone Sensor	At front center of engine compartment. See Fig. 24.
Driver-Side Side Air Bag Sensor	Near base of left "B" pillar. See Fig. 25.
Engine Coolant Temperature Sensor	Top rear of engine. See Fig. 13.
Evaporator Temperature Sensor	Behind right side of dash. See Fig. 22.
Heated Oxygen Sensor (Front)	Upstream side of catalytic converter. See Fig. 10.
Heated Oxygen Sensor (Rear)	Downstream side of catalytic converter. See Fig. 10.
Knock Sensor	Left front of engine. See Fig. 10.
Manifold Absolute Pressure Sensor	Left rear of engine. See Fig. 13.
Mass Air Flow Sensor	Near left front corner of engine. See Fig. 11.
Passenger-Side Side Air Bag Sensor	Near base of right "B" pillar. See Fig. 25.
Seat Track Position Sensor	Under driver's seat. See Fig. 26.
Seat Weight Sensor (Left/Right)	Under respective side of passenger seat. See Fig. 27.
Steering Angle Sensor	In steering column. See Fig. 17.
Throttle Position Sensor	Left front of engine. See Fig. 12.
Transmission Fluid Temperature Sensor	Inside valve control body on transmission. See Fig. 20.
Turbine Sensor	On transmission. See Fig. 19.
Vehicle Speedometer Sensor	On transmission or transaxle. See Fig. 13.

SOLENOIDS & SOLENOID VALVES

SOLENOIDS & SOLENOID VALVES LOCATION

Component	Location
EGR Valve	Rear of engine. See Fig. 12.
Fuel Injectors No. 1, 2, 3 & 4	Top of engine. See Fig. 13.
Line Pressure Control Solenoid	Inside valve control body on transmission. See Fig. 20.
Magnetic Clutch	Left front of engine, on A/C compressor. See Fig. 23.
Oil Control Valve	Right front of engine. See Fig. 12.
Purge Solenoid Valve	Left side of engine compartment. See Fig. 12.
Shift Solenoids A, B, C, D, E, F & G	Inside valve control body on transmission. See Fig. 20.
TCC Control Solenoid	Inside valve control body on transmission. See Fig. 20.
Variable Intake Air Solenoid Valve	Left side of engine. See Fig. 12.

SWITCHES

SWITCHES LOCATION

Component	Location
Back-Up Light Switch	On transmission. See Fig. 42.

2007 Mazda MX-5 Miata Sport

2007 MAZDA MX-5 Miata

Brake Switch	Top of brake pedal assembly. See Fig. 14.
Buckle Switch (Left/Right)	On respective seat belt buckle. See Fig. 26.
Clutch Pedal Position Switch	Top of clutch pedal assembly. See Fig. 14.
Deck Panel Limit Switch	Right side of retractable top storage compartment. See Fig. 53.
Door Lock-Link Switch (Left)	In driver's door. See Fig. 34.
Door Lock-Link Switch (Right)	In passenger door. See Fig. 36.
Door Switch (Left/Right)	On respective "B" pillar. See Fig. 48.
Hood Latch Switch	Center front of engine compartment. See Fig. 36.
Key Reminder Switch	On steering column. See Fig. 45.
Neutral Switch	On transmission. See Fig. 14.
Oil Pressure Switch	On left side of engine. See Fig. 47.
Parking Brake Switch	At base of parking brake lever. See Fig. 47.
Power Retractable Hardtop Limit Switch	Right side of retractable top storage compartment. See Fig. 51.
Power Steering Pressure Switch	Left front of engine. See Fig. 13.
Refrigerant Pressure Switch	Right front of engine compartment. See Fig. 21.
Starter Interlock Switch	Behind left side of dash. See Fig. 8.
Transmission Range Switch	On transmission. See Fig. 8.
Trunk Compartment Light Switch	Right rear of luggage compartment. See Fig. 39.
Trunk Lid Opener Cancel Switch	Lower center rear of luggage compartment. See Fig. 38.

MISCELLANEOUS

MISCELLANEOUS LOCATION

Component	Location
Audio Amplifier	Right side of luggage compartment. See Fig. 44.
Check Connector	In relay & main fuse block. See Fig. 1.
Clock Spring	In steering column. See Fig. 24.
Coil Antenna (Immobilizer)	In steering column. See Fig. 37.
Condenser (Ignition)	Right rear of engine. See Fig. 10.
Condenser (Rear Window Defogger)	At left "B" pillar. See Fig. 28.
Data Link Connector 2	Under lower left side of dash. See Fig. 4.
Driver-Side Air Bag Module	In steering wheel. See Fig. 24.
Driver-Side Pre-Tensioner Seat Belt	Near base of left "B" pillar. See Fig. 25.
Driver-Side Side Air Bag Module	In driver's seat. See Fig. 25.
Filament (Rear Window Defogger)	Left side of rear window. See Fig. 28.
Generator	Right front of engine. See Fig. 7.
Horn	Behind left side of front bumper. See Fig. 49.
Ignition Coils No. 1, 2, 3 & 4	Top of engine. See Fig. 10.
Joint Connector (C-18)	Behind left end of dash. See Fig. 15.
Joint Connector (C-19)	Behind left end of dash. See Fig. 15.

2007 Mazda MX-5 Miata Sport

2007 MAZDA MX-5 Miata

Joint Connector (C-20)	Behind center of dash. See Fig. 15.
Joint Connector (C-21)	Right front of luggage compartment. See Fig. 44.
Joint Connector (C-22)	Left side of retractable top storage compartment. See Fig. 56.
Keyless Antenna (Center)	Under center console. See Fig. 33.
Keyless Antenna (Instrument Panel)	Behind right end of dash. See Fig. 35.
Keyless Antenna (Left/Right)	In respective door. See Fig. 34.
Keyless Antenna (Rear)	Center rear of luggage compartment. See Fig. 34.
Keyless Antenna (Rear No. 2)	Rear of center console. See Fig. 33.
Keyless Antenna (Trunk)	Front of luggage compartment. See Fig. 33.
Keyless Receiver	Behind right side of dash. See Fig. 35.
Keyless Receiver (Rear)	Front of luggage compartment. See Fig. 32.
Passenger-Side Air Bag Module	Behind right side of dash. See Fig. 24.
Passenger-Side Pre-Tensioner Seat Belt	Near base of right "B" pillar. See Fig. 25.
Passenger-Side Side Air Bag Module	In passenger's seat. See Fig. 25.
Power Metal Oxide Semiconductor Field Effect Transistor (Power MOS FET)	Behind right end of dash. See Fig. 21.
Seat Warmer (Left/Right)	In respective seat cushion. See Fig. 31.
Selector Lever Component	Under center console. See Fig. 19.
Transmission Fluid Temperature Connector	Behind left side of dash. See Fig. 19.

CONNECTORS

CONNECTORS LOCATION

Component	Location
C-02 (14 Pin)	Left side of engine. See Fig. 10.
C-03 (56 Pin)	Behind left side of dash. See Fig. 4.
C-04 (14 Pin)	Behind left side of dash. See Fig. 4.
C-05 (Except M/T) (Gray, 56 Pin)	Behind left kick panel. See Fig. 9.
C-05 (M/T) (Gray, 14 Pin)	Behind left kick panel. See Fig. 9.
C-06 (12 Pin)	Behind left kick panel. See Fig. 4.
C-08 (Except M/T) (56 Pin)	Behind left kick panel. See Fig. 6.
C-08 (M/T) (14 Pin)	Behind left kick panel. See Fig. 6.
C-10 (A/T) (Blue, 40 Pin)	Left side of engine compartment. See Fig. 8.
C-10 (M/T) (Gray, 14 Pin)	Left side of engine compartment. See Fig. 8.
C-11 (56 Pin)	Behind center of dash. See Fig. 4.
C-12 (Yellow, 4 Pin)	Behind center of dash. See Fig. 24.
C-13 (Yellow, 4 Pin)	Behind right kick panel. See Fig. 24.
C-14 (56 Pin)	Behind right end of dash. See Fig. 44.

2007 Mazda MX-5 Miata Sport

2007 MAZDA MX-5 Miata

C-15 (32 Pin)	Behind right kick panel. See Fig. 29 .
C-16 (32 Pin)	Behind left kick panel. See Fig. 29 .
C-17 (4 Pin)	Left side of luggage compartment. See Fig. 34 .

GROUNDS

GROUNDS LOCATION

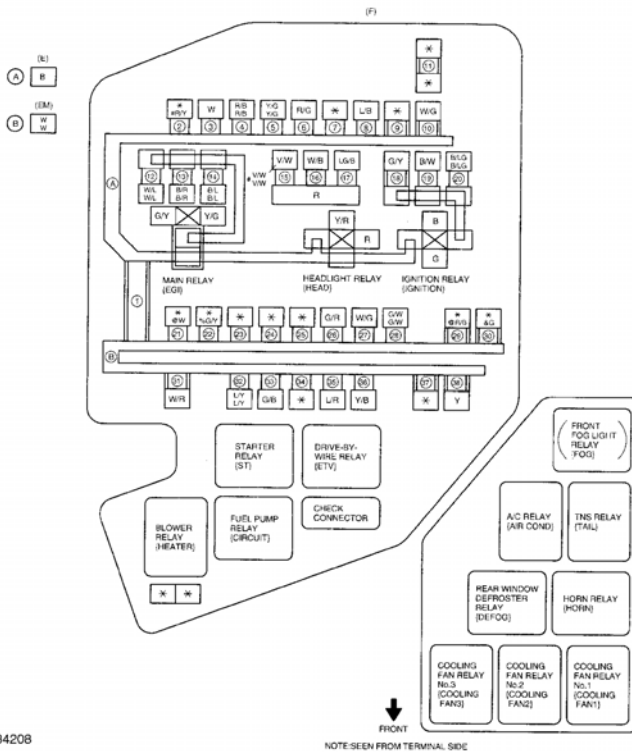
Component	Location
G1	Left rear corner of engine compartment. See Fig. 2 .
G2	Behind left kick panel. See Fig. 2 .
G3	Left rear corner of engine compartment. See Fig. 2 .
G4	Right rear corner of engine compartment. See Fig. 2 .
G5	Behind left headlight assembly. See Fig. 2 .
G6	Behind right headlight assembly. See Fig. 2 .
G7	Center rear of engine compartment. See Fig. 2 .
G8	Behind right side of dash. See Fig. 3 .
G9	Behind left side of dash. See Fig. 3 .
G10	Behind center of dash. See Fig. 3 .
G11	Behind right kick panel. See Fig. 3 .
G12	Under passenger's seat. See Fig. 3 .
G13	Under front of center console. See Fig. 3 .
G14	Under driver's seat. See Fig. 3 .
G15	Under rear of center console. See Fig. 3 .
G16	Base of left "B" pillar. See Fig. 3 .
G17	Center rear of luggage compartment. See Fig. 3 .
G18	Base of right "B" pillar. See Fig. 2 .
G19	Left side of retractable top storage compartment. See Fig. 59 .
G20	Left side of retractable top storage compartment. See Fig. 55 .

COMPONENT LOCATION GRAPHICS

NOTE: Figures may show multiple component locations. Refer to appropriate table for proper figure references.

2007 Mazda MX-5 Miata Sport

2007 MAZDA MX-5 Miata



G00434208

NOTE: SEEN FROM TERMINAL SIDE

* ...VACANT
 % ...WITH FRONT FOG LIGHT
 @ ...WITH ABS, DISC
 # ...WITH DISC SYSTEM
 \$...WITH ADVANCED KEYLESS ENTRY & START SYSTEM AND KEYLESS ENTRY SYSTEM, BOSE

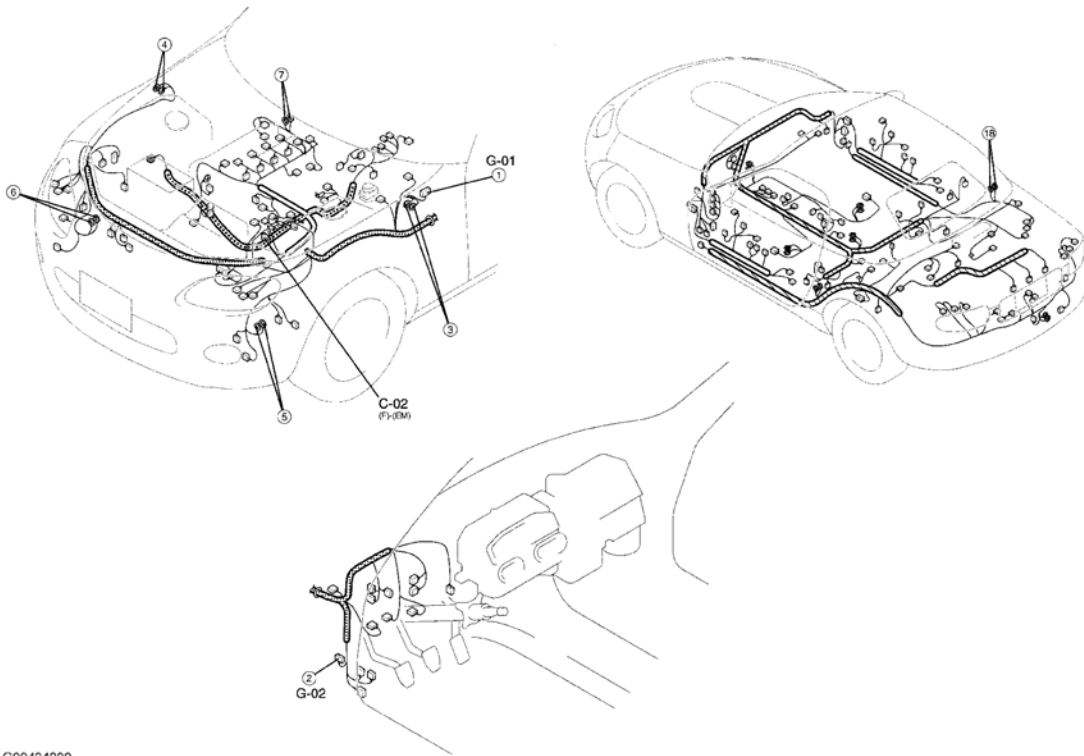
NO.	FUSE NAME	FUSE	NO.	FUSE NAME	FUSE
1	MAIN	120A	20	WIPER	20A
2	(DRL)	15A	21	(ABS)	30A
3	HORN	15A	22	(PDG)	15A
4	STOP	10A	23	(R.FOG)	7.5A
5	ETV	10A	24	*	*
6	FUEL PUMP	15A	25	K	*
7	*	*	26	MAG	7.5A
8	HAZARD	10A	27	ST	20A
9	(P.WIND)	20A	28	TAIL	15A
10	IG KEY1	40A	29	(ABS)	40A
11	*	*	30	(BTN)	30A
12	EGI INJ	10A	31	FAN	30A
13	EGI COMP1	10A	32	FAN	7.5A
14	EGI COMP2	10A	33	DEFOG	20A
15	HEAD LOW L	15A	34	(H.CLEAR)	20A
16	HEAD LOW R	15A	35	ROOM	15A
17	HEAD	15A	36	IG KEY2	15A
18	(P.WIND)	20A	37	*	*
19	ENGINE	15A	38	HEATER	40A

[NAME INDICATED ON FUSE BOX COVER]
 [IF EQUIPPED]

Fig. 1: Relay & Main Fuse Block
 Courtesy of MAZDA MOTORS CORP.

2007 Mazda MX-5 Miata Sport

2007 MAZDA MX-5 Miata

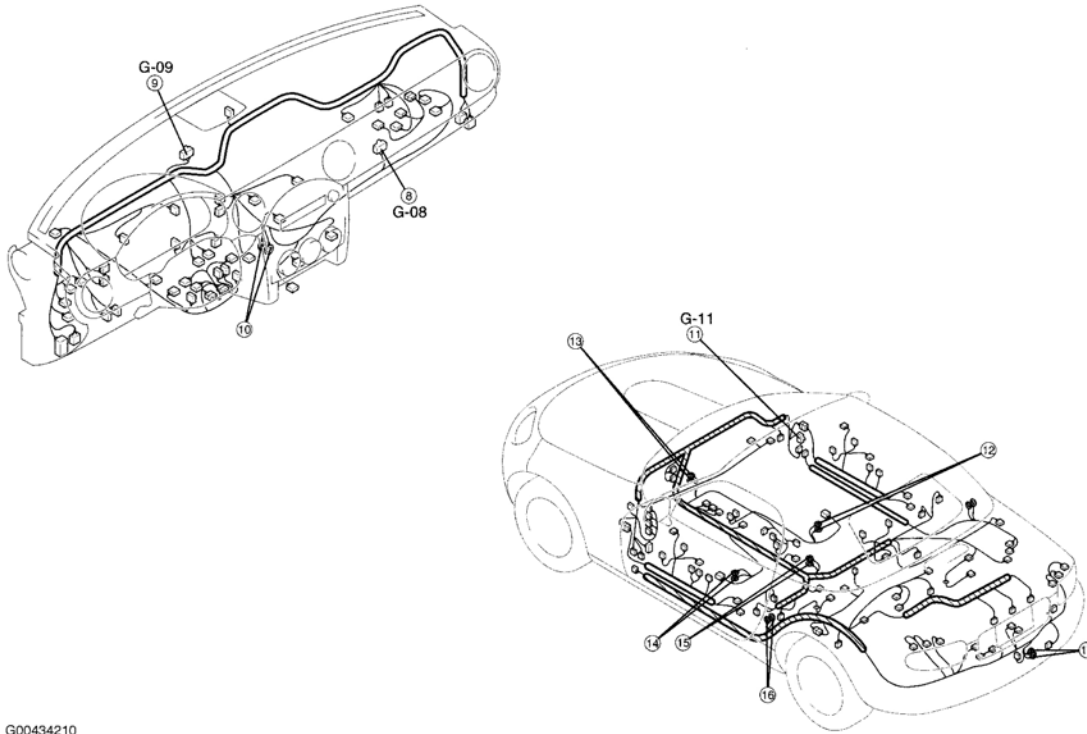


G00434209

Fig. 2: Ground System
Courtesy of MAZDA MOTORS CORP.

2007 Mazda MX-5 Miata Sport

2007 MAZDA MX-5 Miata

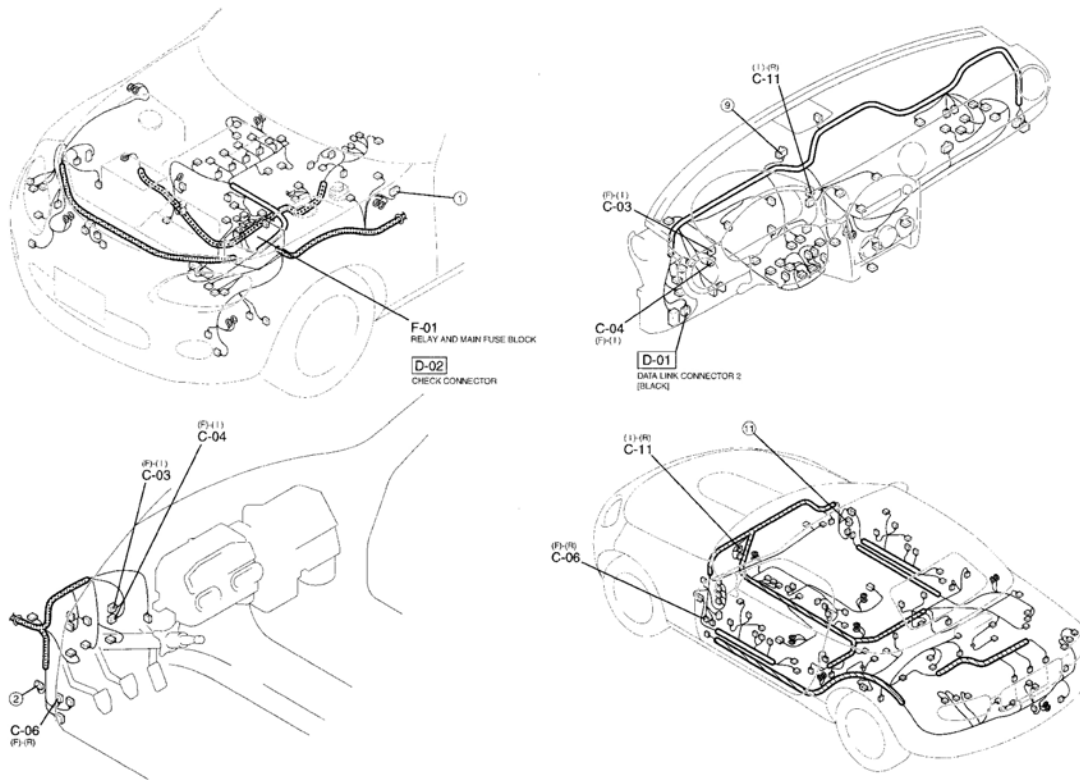


G00434210

Fig. 3: Ground System
Courtesy of MAZDA MOTORS CORP.

2007 Mazda MX-5 Miata Sport

2007 MAZDA MX-5 Miata

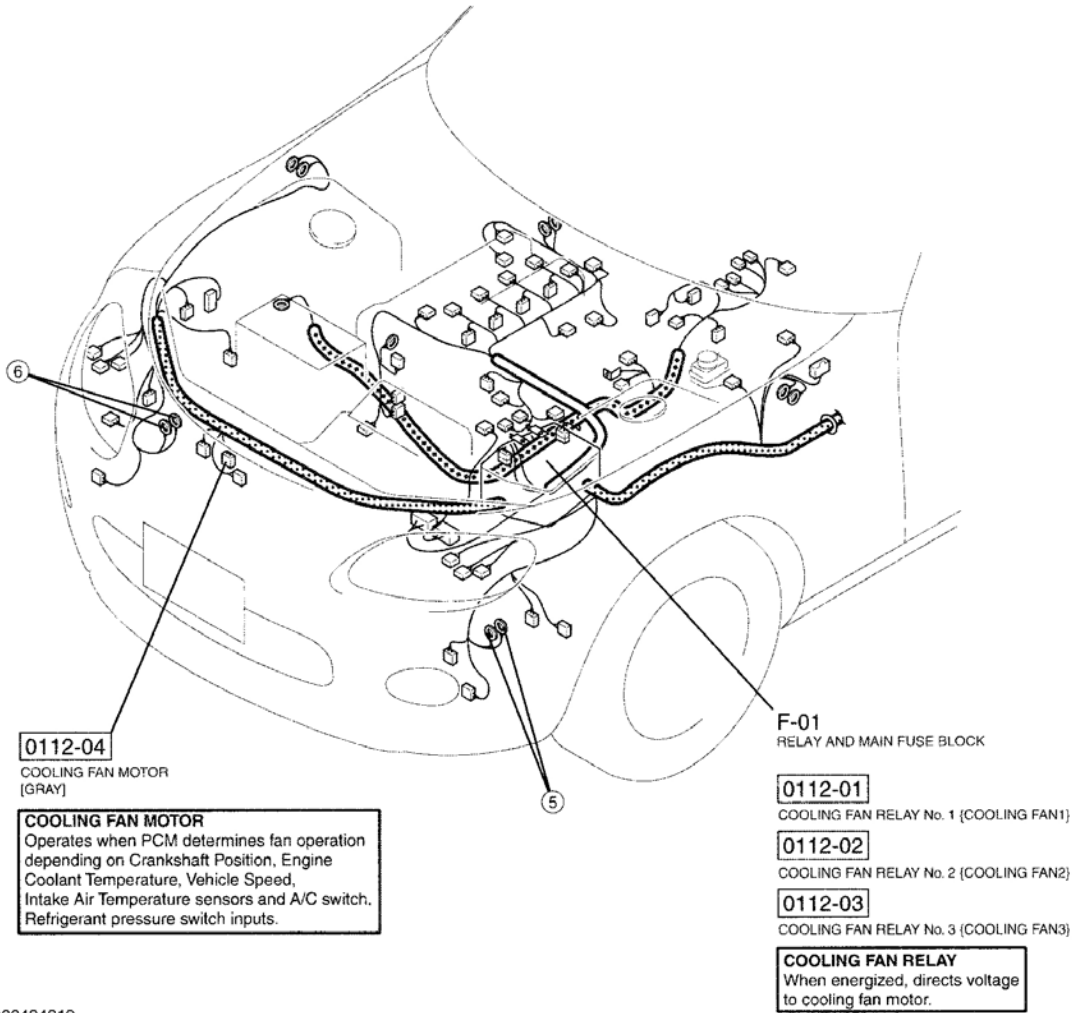


G00434211

Fig. 4: Vehicle Overview
Courtesy of MAZDA MOTORS CORP.

2007 Mazda MX-5 Miata Sport

2007 MAZDA MX-5 Miata



G00434212

Fig. 5: Engine Compartment
Courtesy of MAZDA MOTORS CORP.

2007 Mazda MX-5 Miata Sport

2007 MAZDA MX-5 Miata

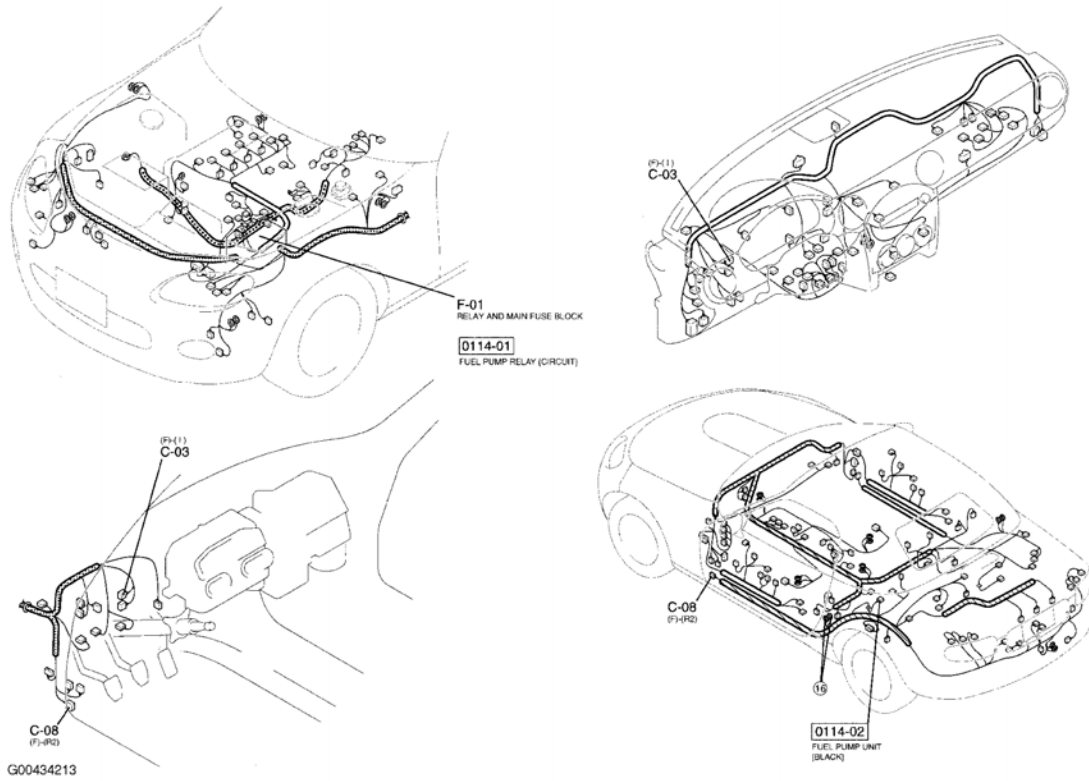
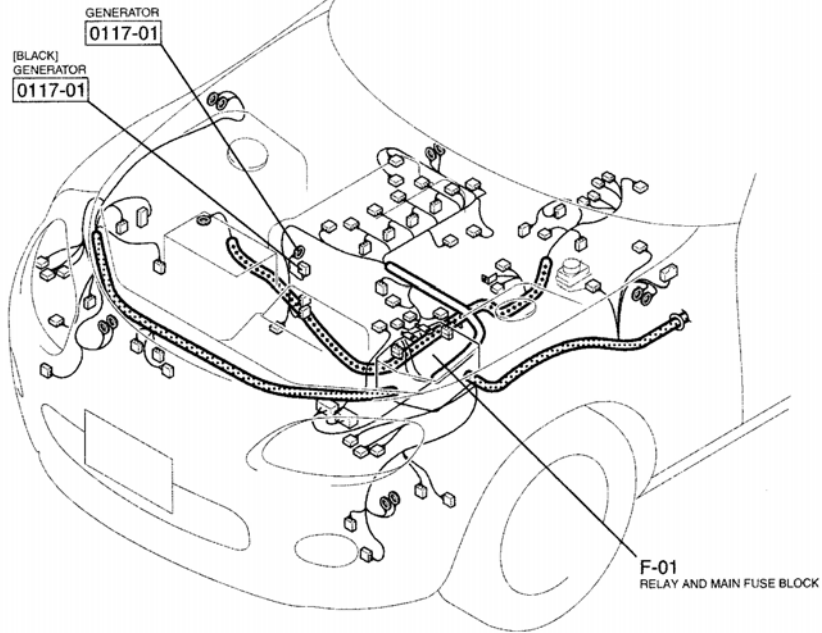


Fig. 6: Vehicle Overview
Courtesy of MAZDA MOTORS CORP.

2007 Mazda MX-5 Miata Sport

2007 MAZDA MX-5 Miata

GENERATOR
Generates power to keep battery fully charged and to operate vehicle's electrical system. Output is variable and depends on speed at which generator rotor spins, as well as amount of current passing through rotor winding.

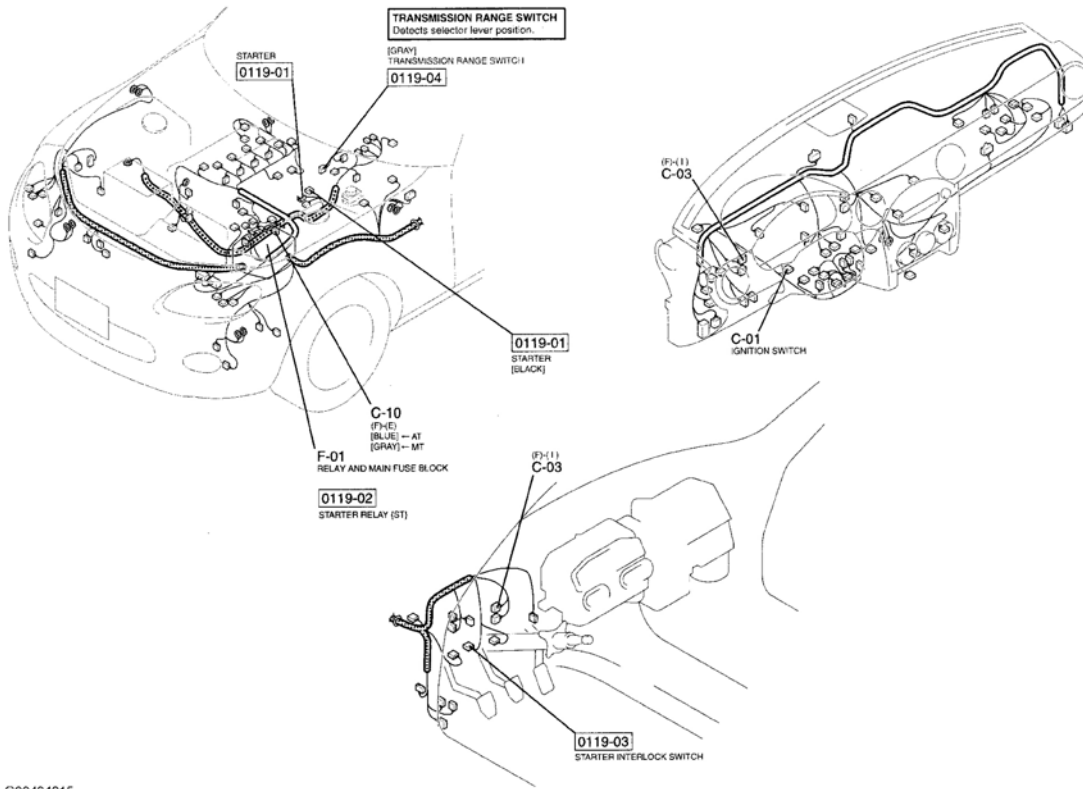


G00434214

Fig. 7: Engine Compartment
Courtesy of MAZDA MOTORS CORP.

2007 Mazda MX-5 Miata Sport

2007 MAZDA MX-5 Miata



G00434215

Fig. 8: Dash & Engine Compartment
Courtesy of MAZDA MOTORS CORP.

2007 Mazda MX-5 Miata Sport

2007 MAZDA MX-5 Miata

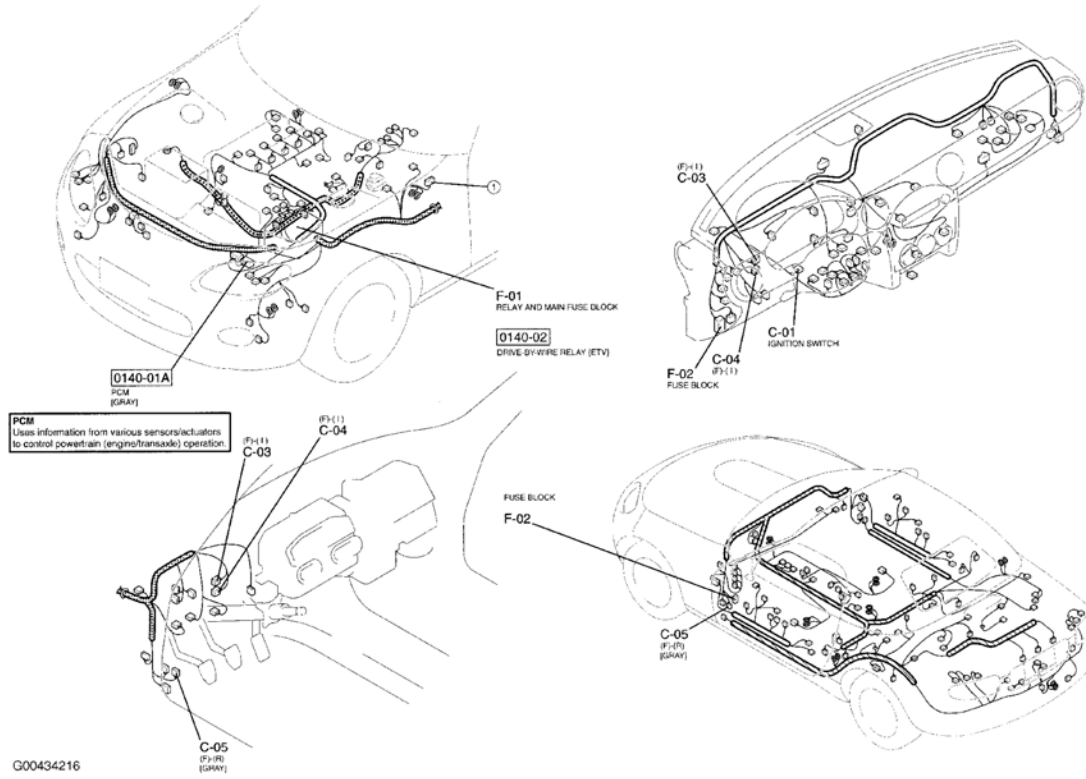
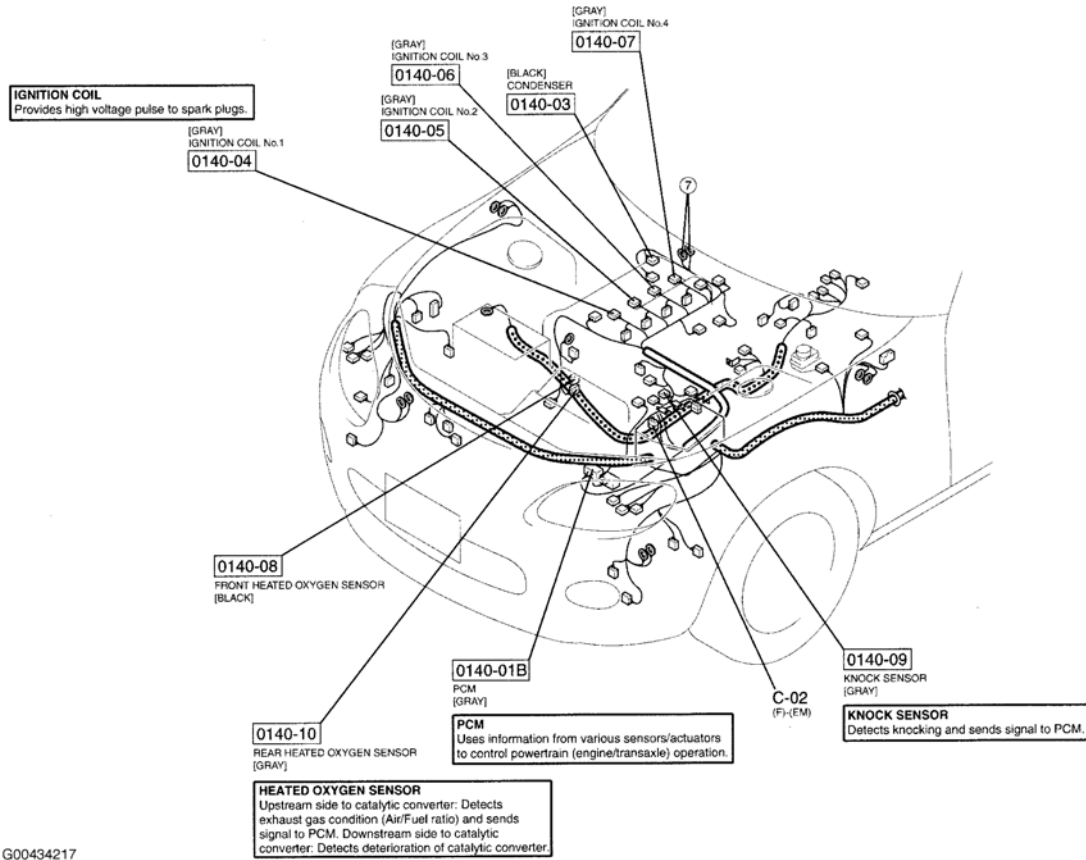


Fig. 9: Engine Control System
Courtesy of MAZDA MOTORS CORP.

2007 Mazda MX-5 Miata Sport

2007 MAZDA MX-5 Miata

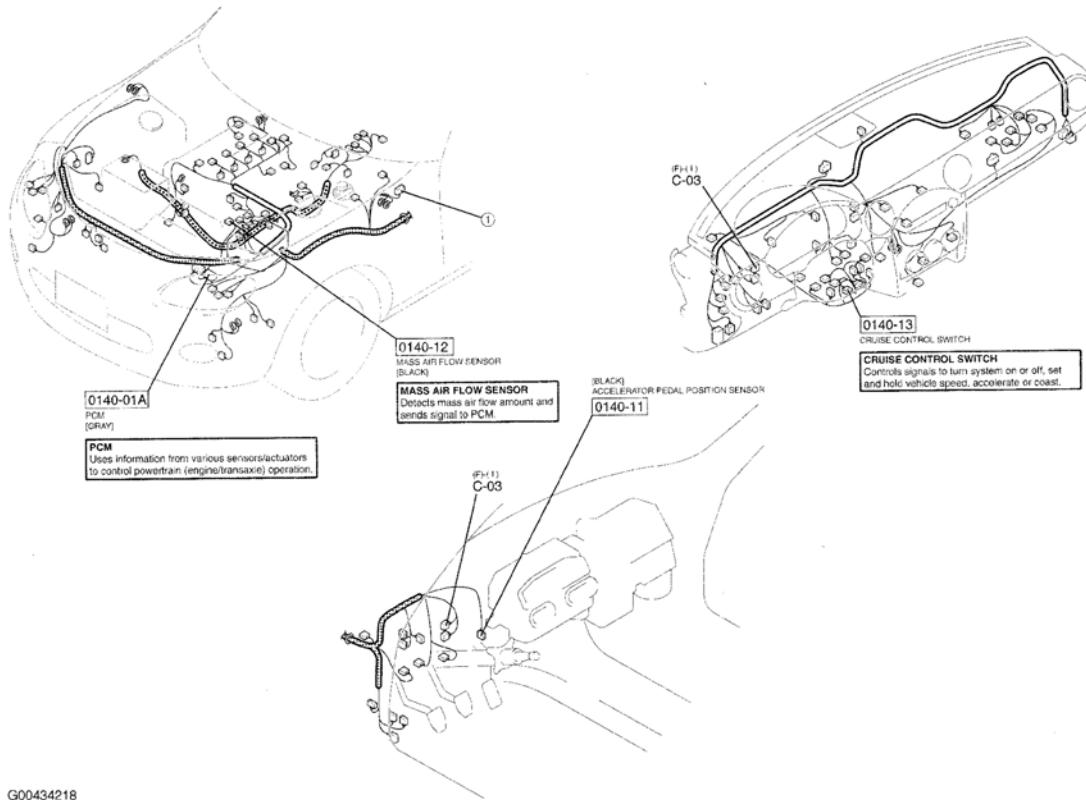


G00434217

Fig. 10: Engine Compartment
Courtesy of MAZDA MOTORS CORP.

2007 Mazda MX-5 Miata Sport

2007 MAZDA MX-5 Miata

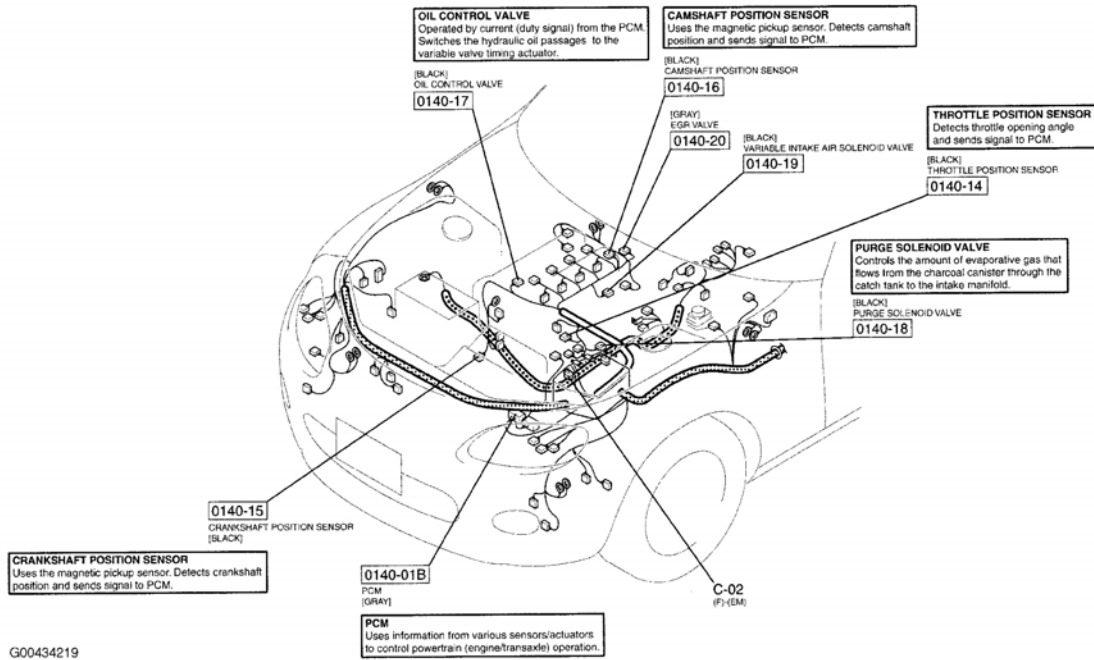


G00434218

Fig. 11: Dash & Engine Compartment
Courtesy of MAZDA MOTORS CORP.

2007 Mazda MX-5 Miata Sport

2007 MAZDA MX-5 Miata

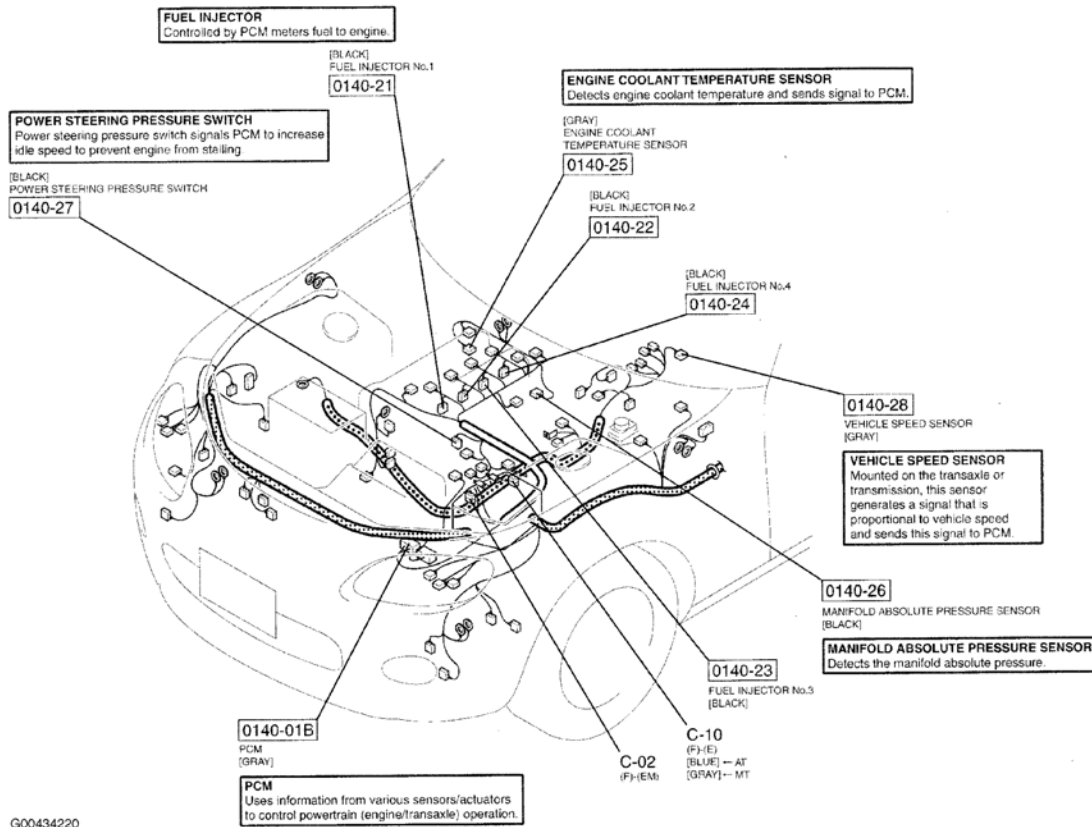


G00434219

Fig. 12: Engine Compartment
Courtesy of MAZDA MOTORS CORP.

2007 Mazda MX-5 Miata Sport

2007 MAZDA MX-5 Miata



G00434220

Fig. 13: Engine Compartment
Courtesy of MAZDA MOTORS CORP.

2007 Mazda MX-5 Miata Sport

2007 MAZDA MX-5 Miata

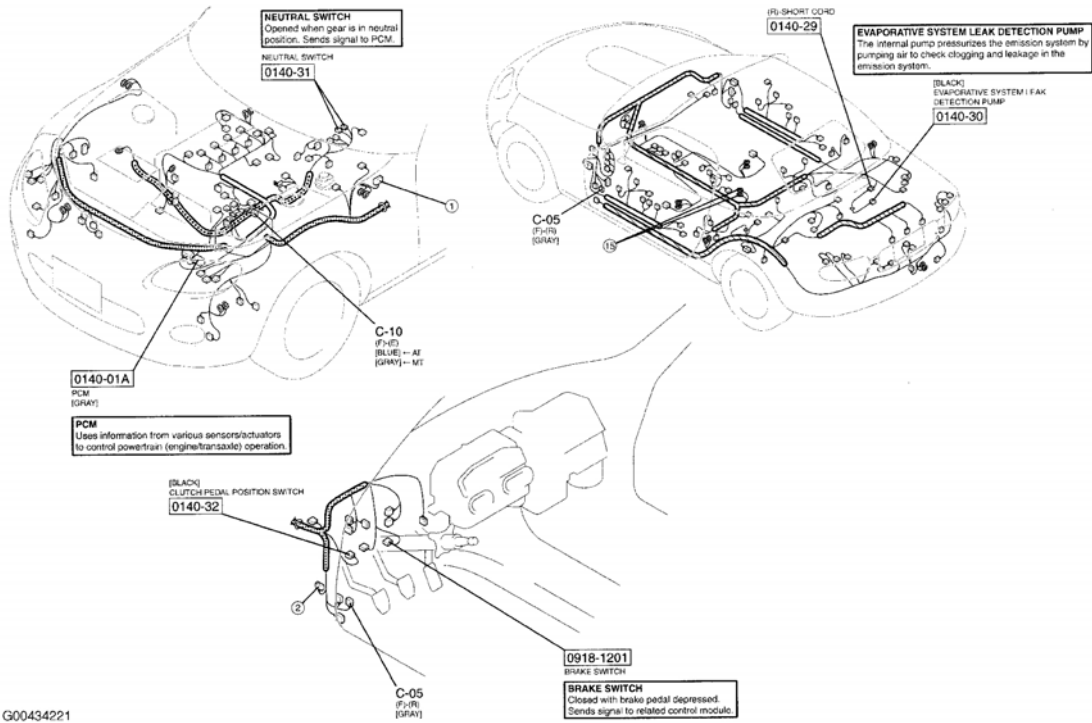


Fig. 14: Engine Control System
Courtesy of MAZDA MOTORS CORP.

2007 Mazda MX-5 Miata Sport

2007 MAZDA MX-5 Miata

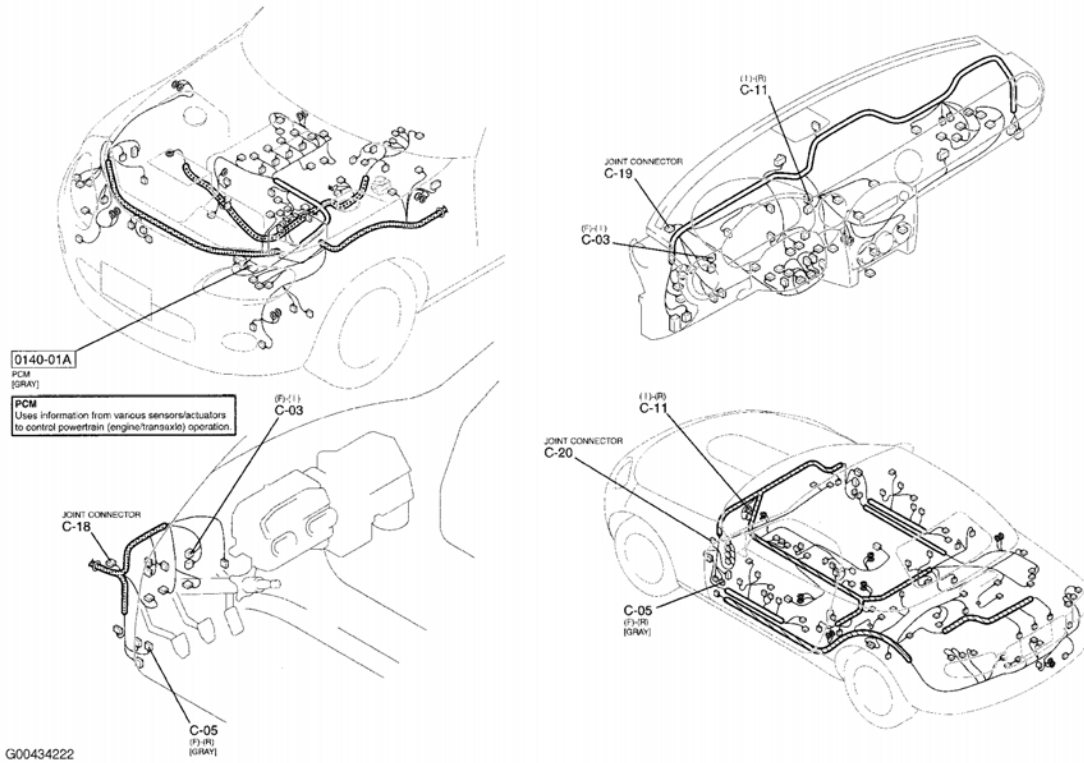
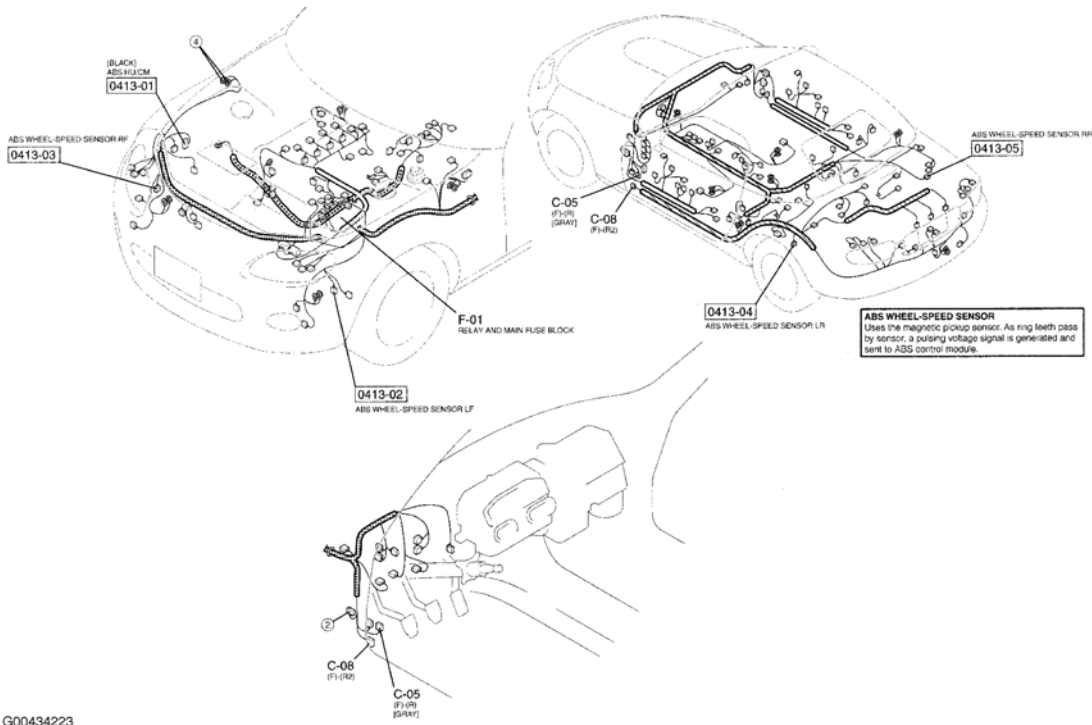


Fig. 15: Dash & Vehicle Overview
Courtesy of MAZDA MOTORS CORP.

2007 Mazda MX-5 Miata Sport

2007 MAZDA MX-5 Miata



G00434223

Fig. 16: Engine Compartment & Rear Of Vehicle
Courtesy of MAZDA MOTORS CORP.

2007 Mazda MX-5 Miata Sport

2007 MAZDA MX-5 Miata

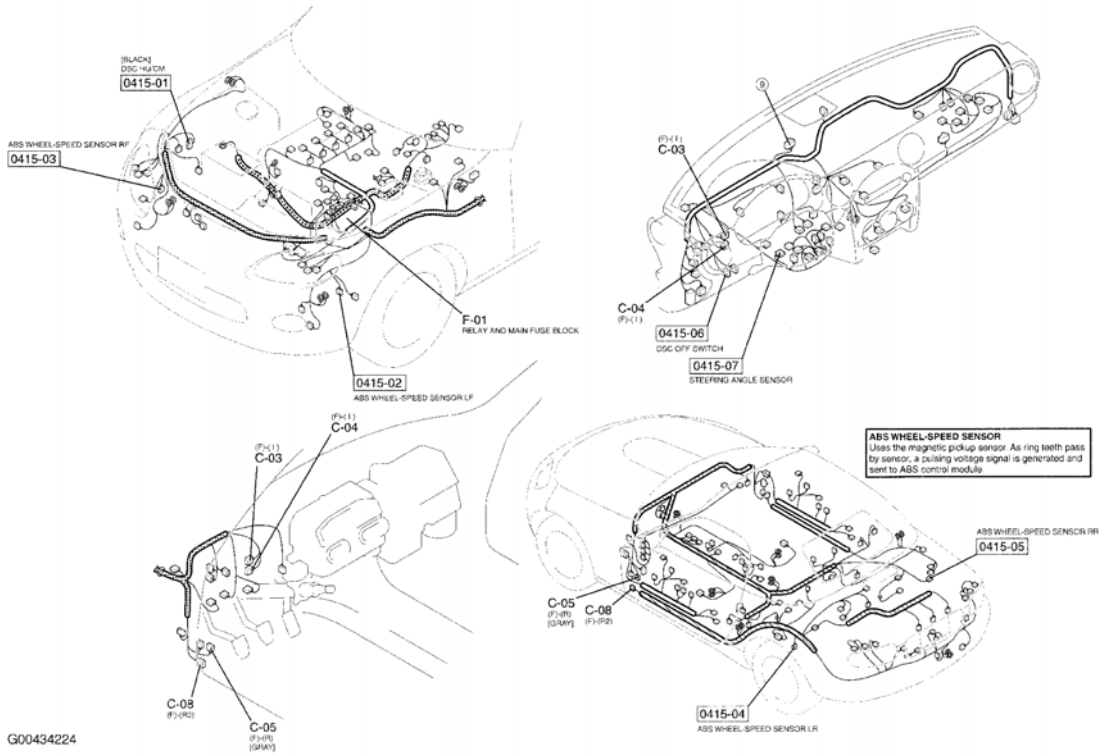
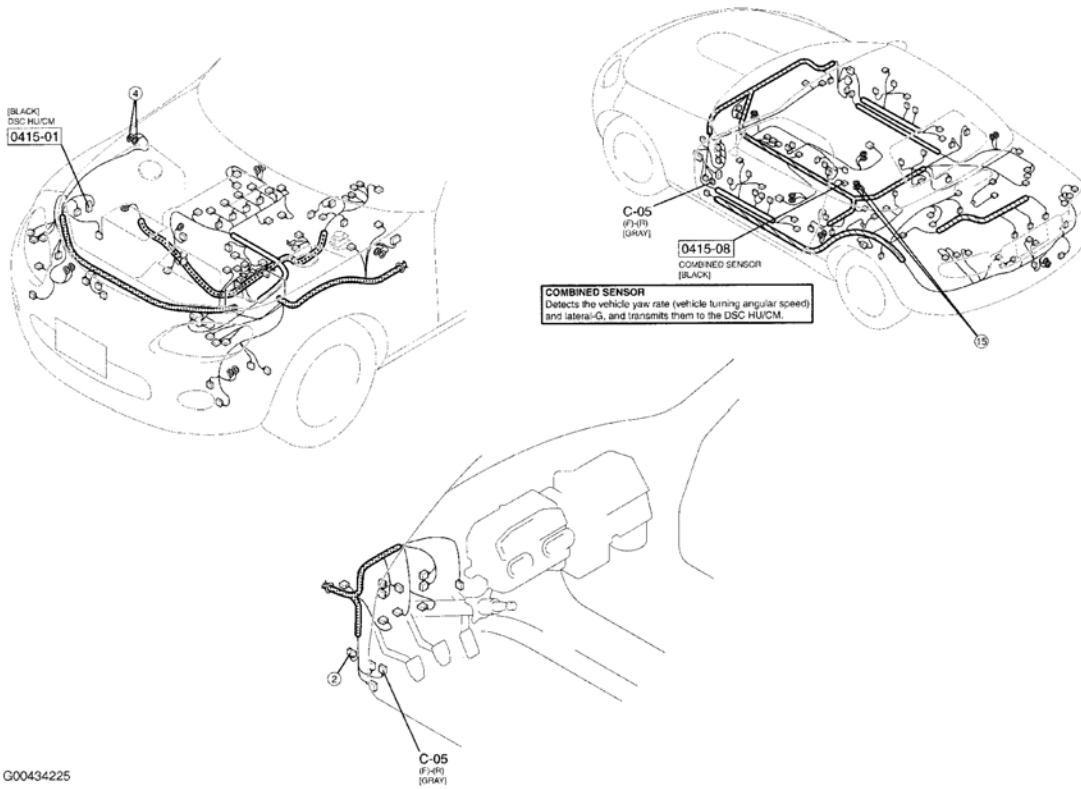


Fig. 17: Dash & Engine Compartment
Courtesy of MAZDA MOTORS CORP.

2007 Mazda MX-5 Miata Sport

2007 MAZDA MX-5 Miata

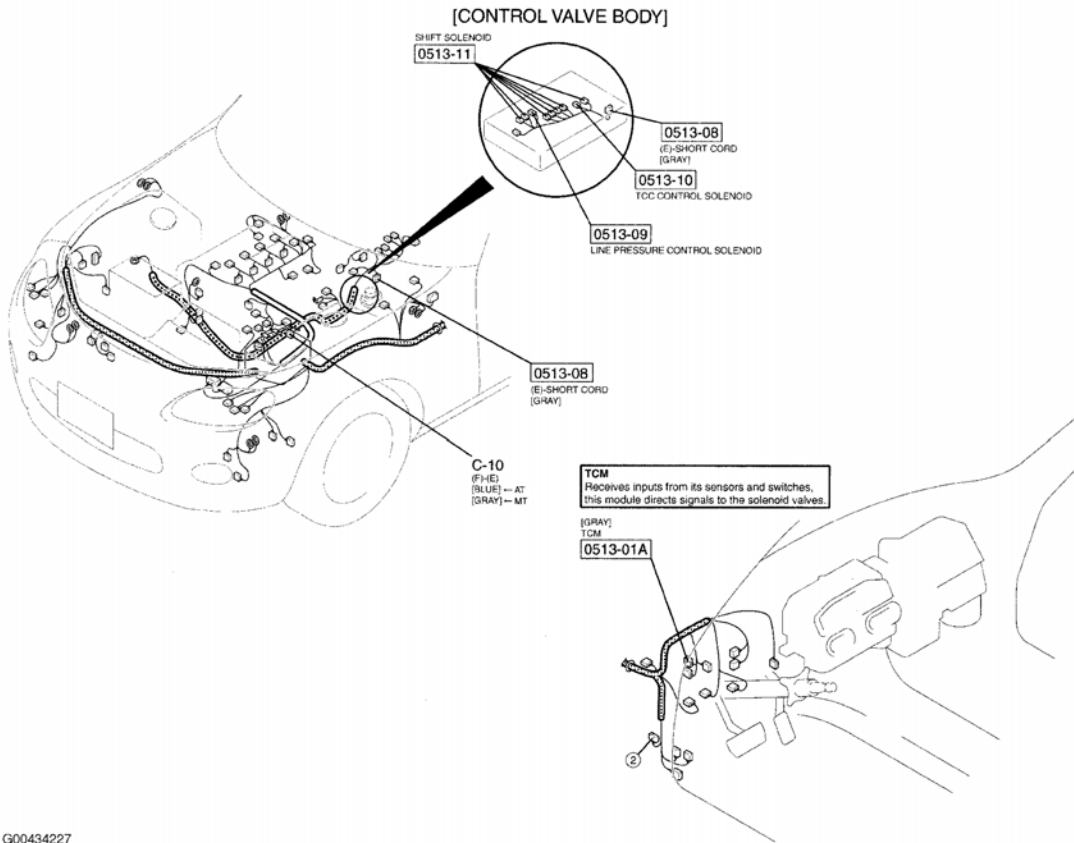


G00434225

Fig. 18: Vehicle Overview
Courtesy of MAZDA MOTORS CORP.

2007 Mazda MX-5 Miata Sport

2007 MAZDA MX-5 Miata



G00434227

Fig. 20: Engine Compartment
Courtesy of MAZDA MOTORS CORP.

2007 Mazda MX-5 Miata Sport

2007 MAZDA MX-5 Miata

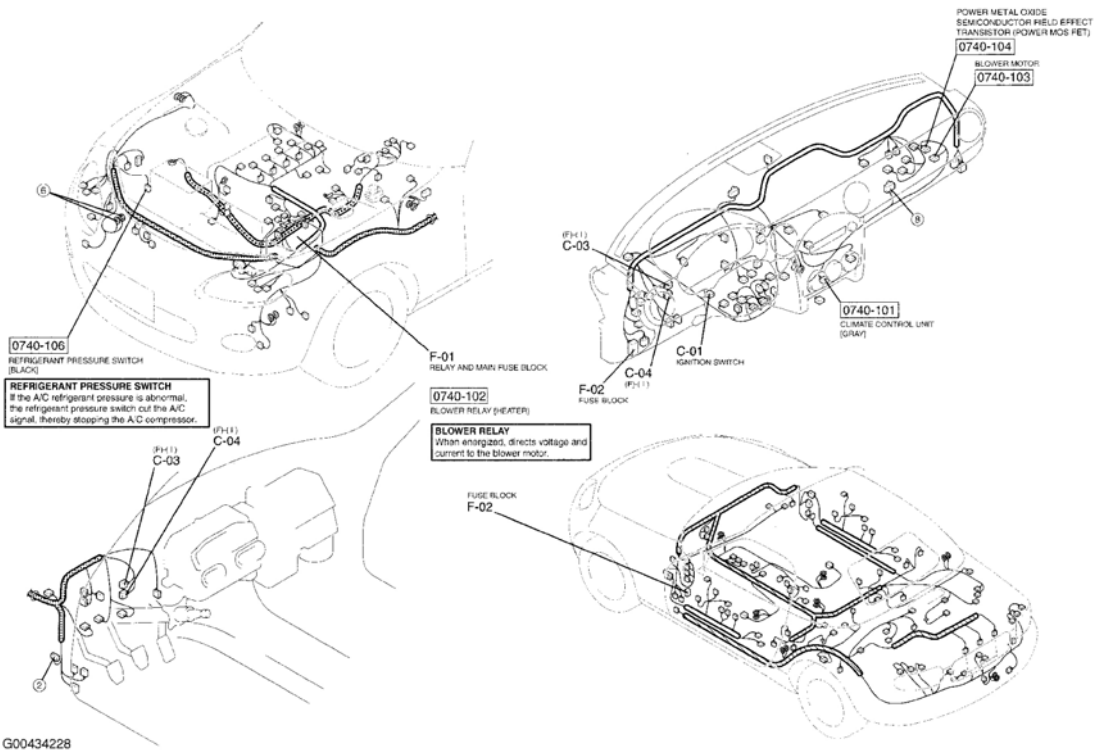
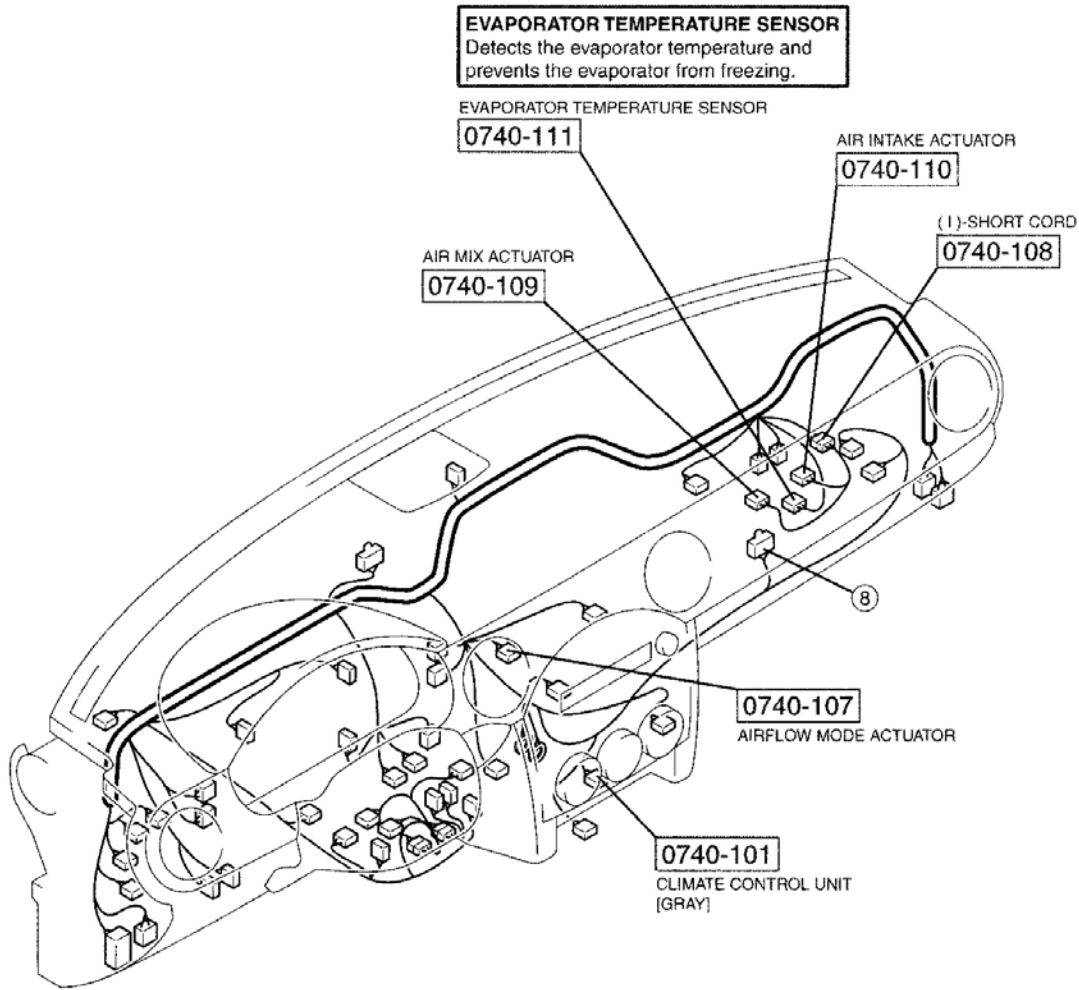


Fig. 21: Dash & Engine Compartment
Courtesy of MAZDA MOTORS CORP.

2007 Mazda MX-5 Miata Sport

2007 MAZDA MX-5 Miata

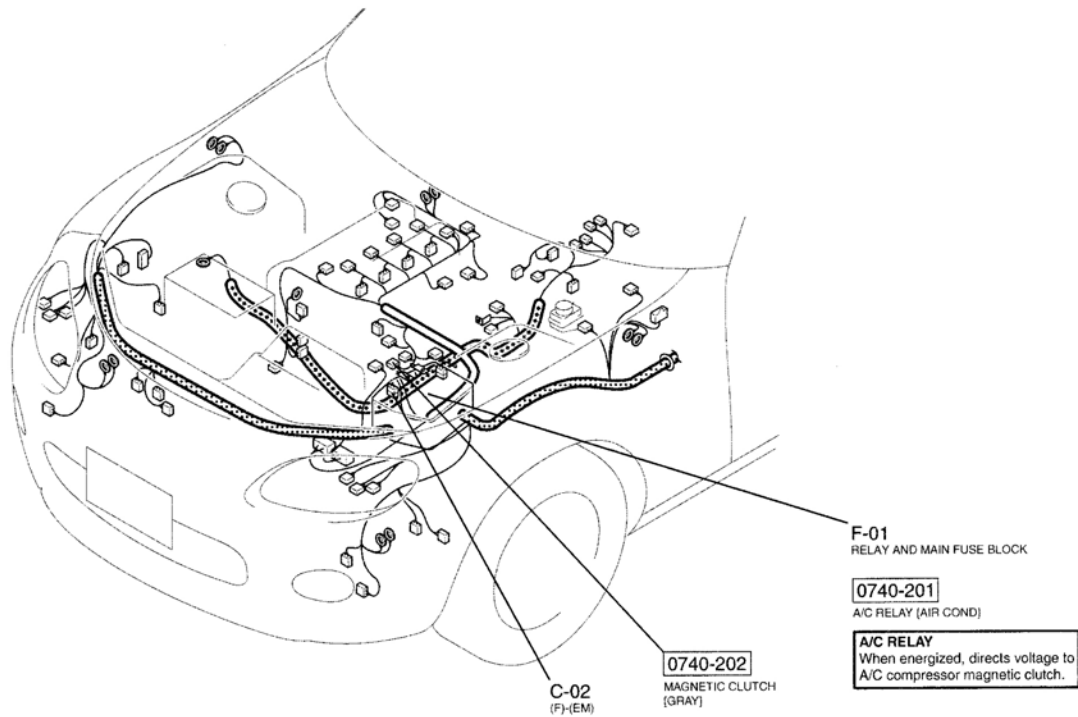


G00434229

Fig. 22: Dash
Courtesy of MAZDA MOTORS CORP.

2007 Mazda MX-5 Miata Sport

2007 MAZDA MX-5 Miata



G00434230

Fig. 23: Engine Compartment
Courtesy of MAZDA MOTORS CORP.

2007 Mazda MX-5 Miata Sport

2007 MAZDA MX-5 Miata

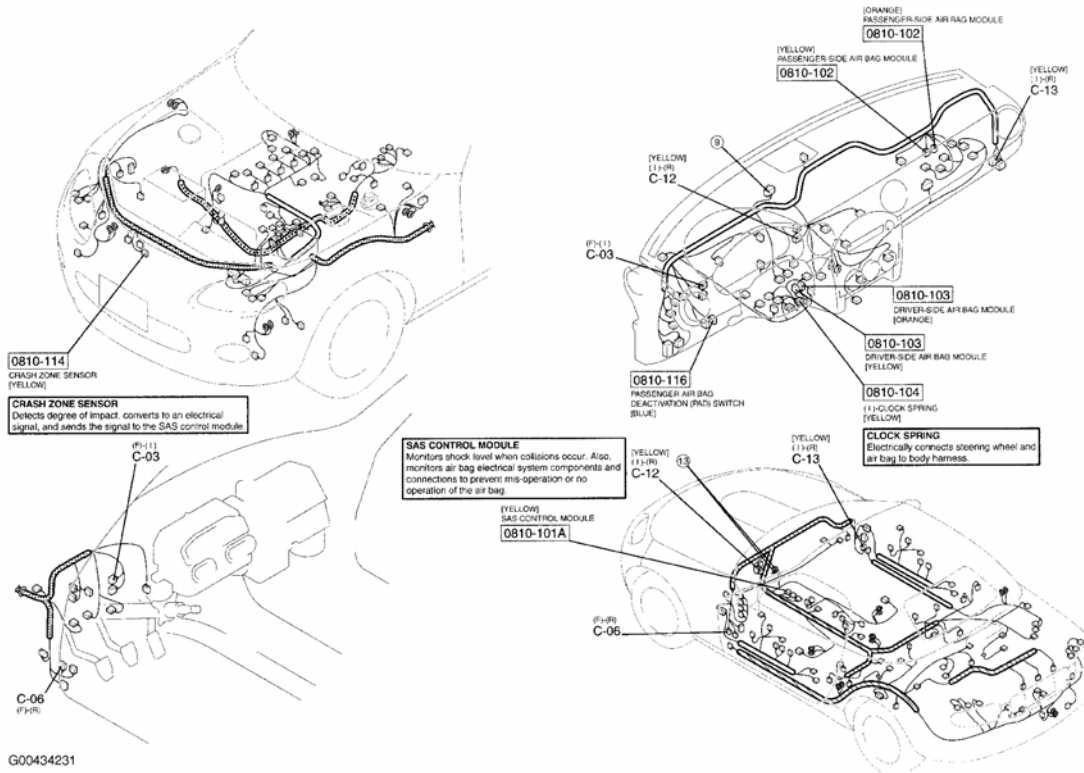
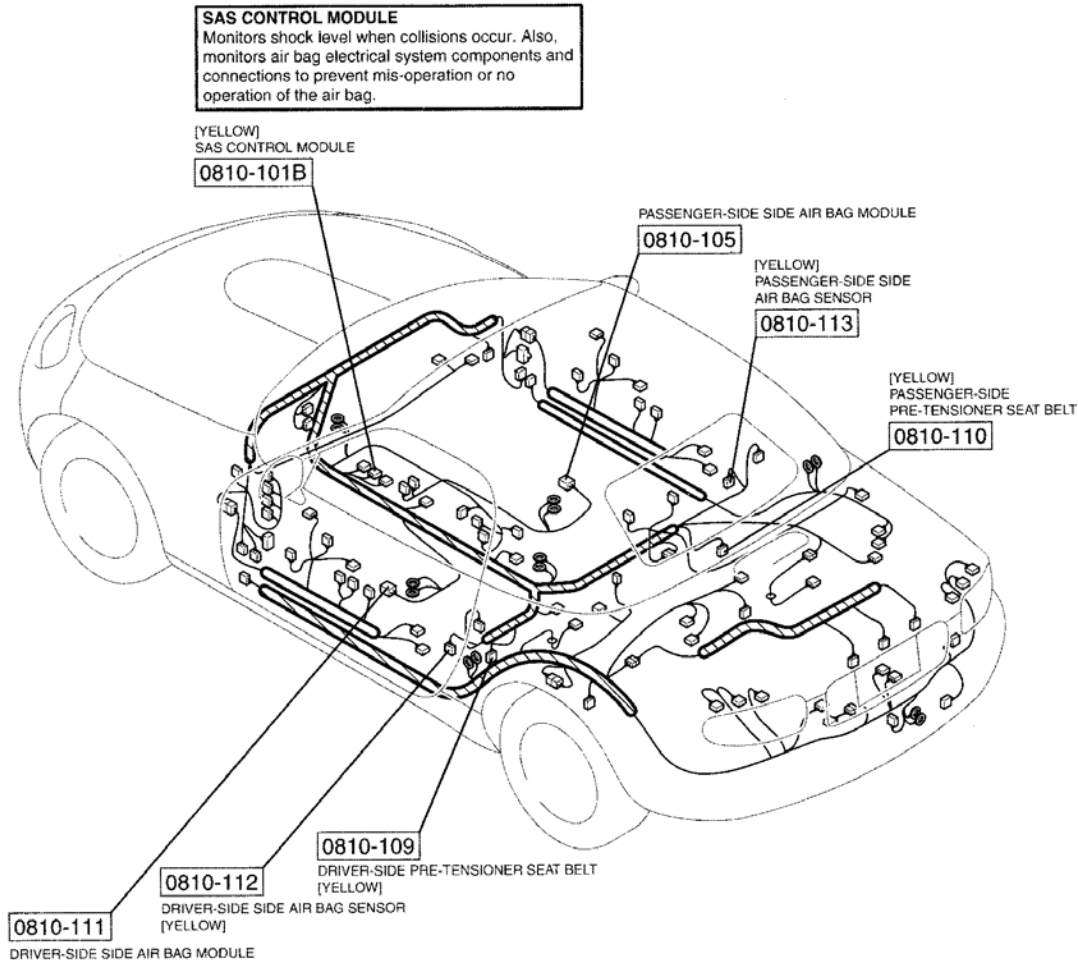


Fig. 24: Air Bag System
Courtesy of MAZDA MOTORS CORP.

2007 Mazda MX-5 Miata Sport

2007 MAZDA MX-5 Miata

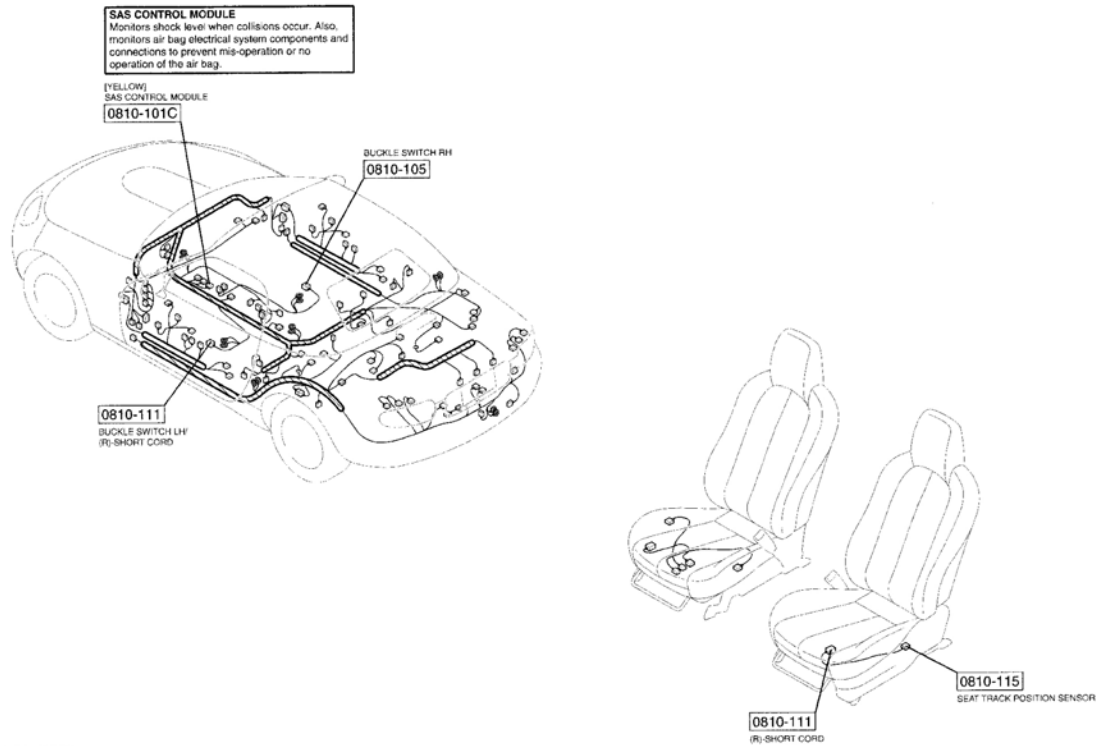


G00434232

Fig. 25: Vehicle Overview
Courtesy of MAZDA MOTORS CORP.

2007 Mazda MX-5 Miata Sport

2007 MAZDA MX-5 Miata

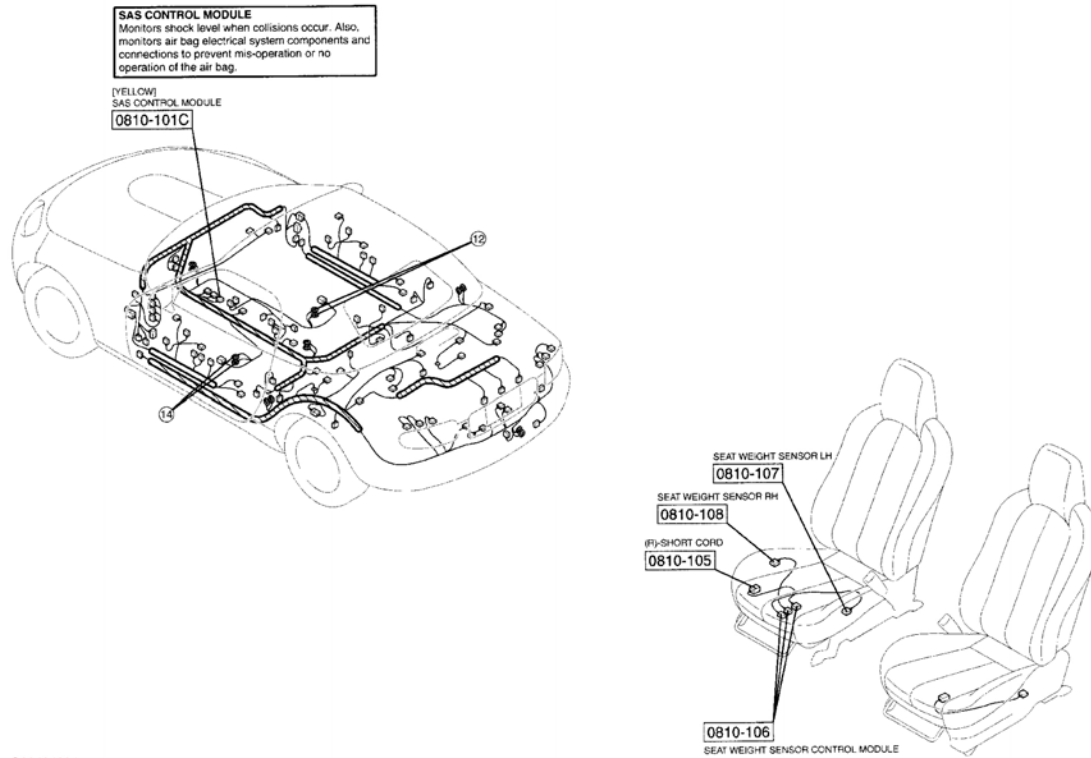


G00434233

Fig. 26: Seats
Courtesy of MAZDA MOTORS CORP.

2007 Mazda MX-5 Miata Sport

2007 MAZDA MX-5 Miata

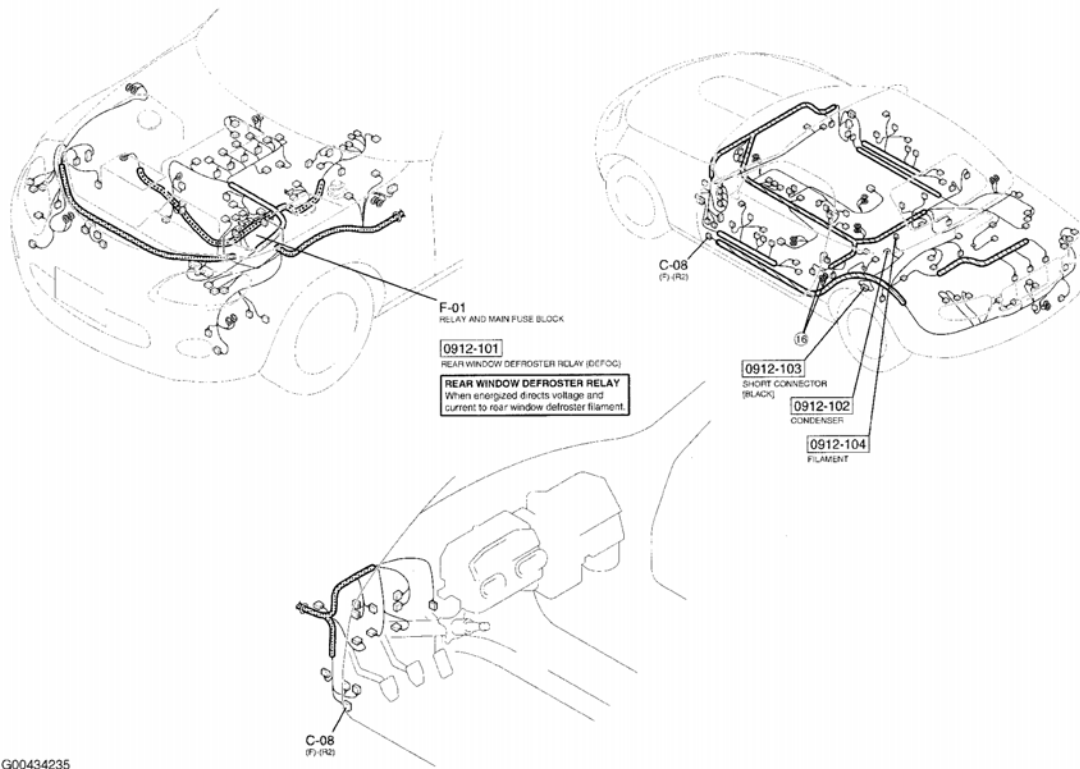


G00434234

Fig. 27: Passenger Seat
Courtesy of MAZDA MOTORS CORP.

2007 Mazda MX-5 Miata Sport

2007 MAZDA MX-5 Miata

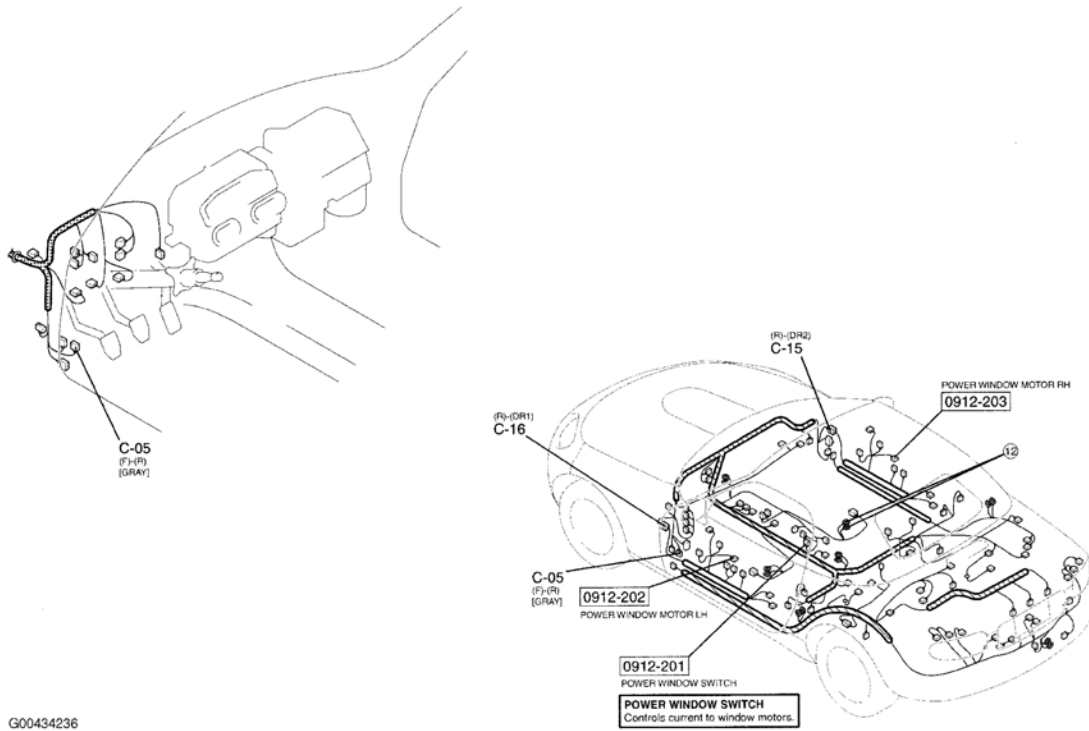


G00434235

Fig. 28: Vehicle Overview
Courtesy of MAZDA MOTORS CORP.

2007 Mazda MX-5 Miata Sport

2007 MAZDA MX-5 Miata



G00434236

Fig. 29: Vehicle Overview
Courtesy of MAZDA MOTORS CORP.

2007 Mazda MX-5 Miata Sport

2007 MAZDA MX-5 Miata

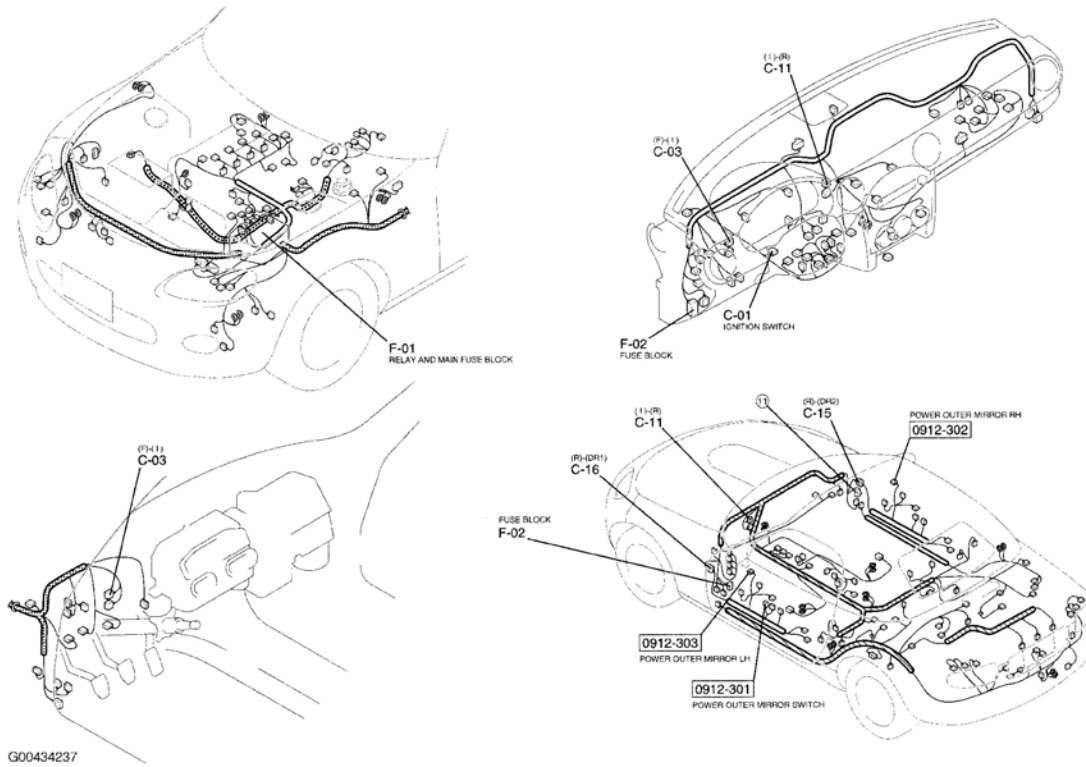
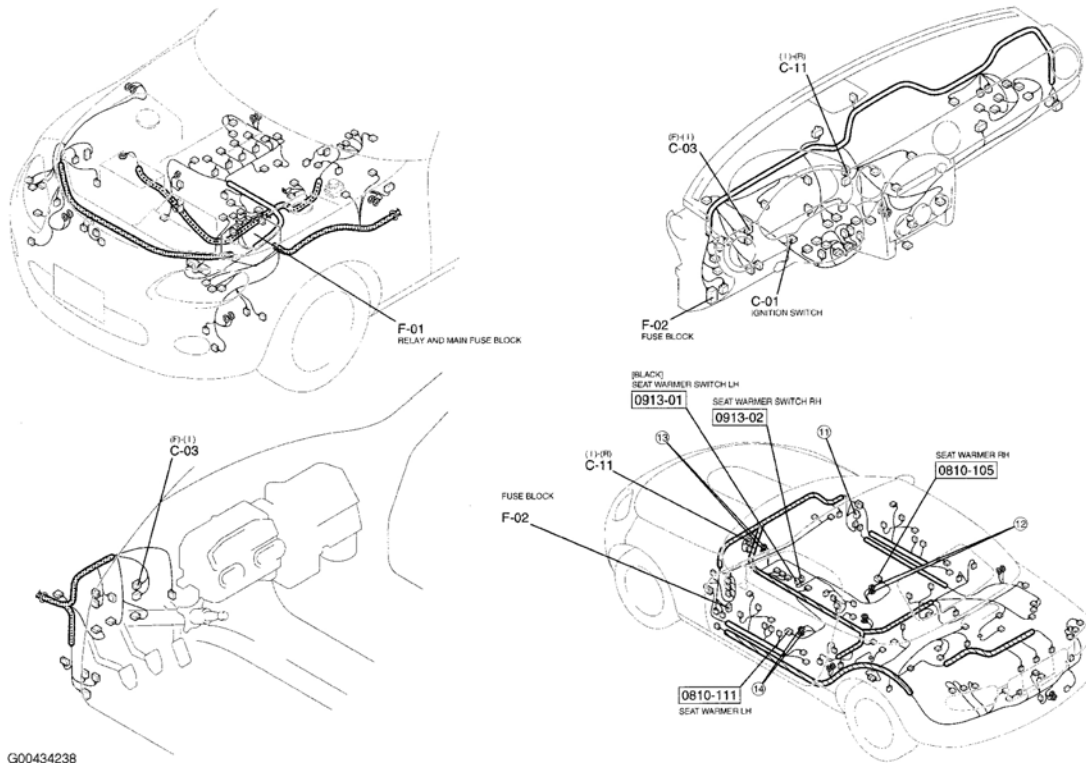


Fig. 30: Vehicle Overview
Courtesy of MAZDA MOTORS CORP.

2007 Mazda MX-5 Miata Sport

2007 MAZDA MX-5 Miata

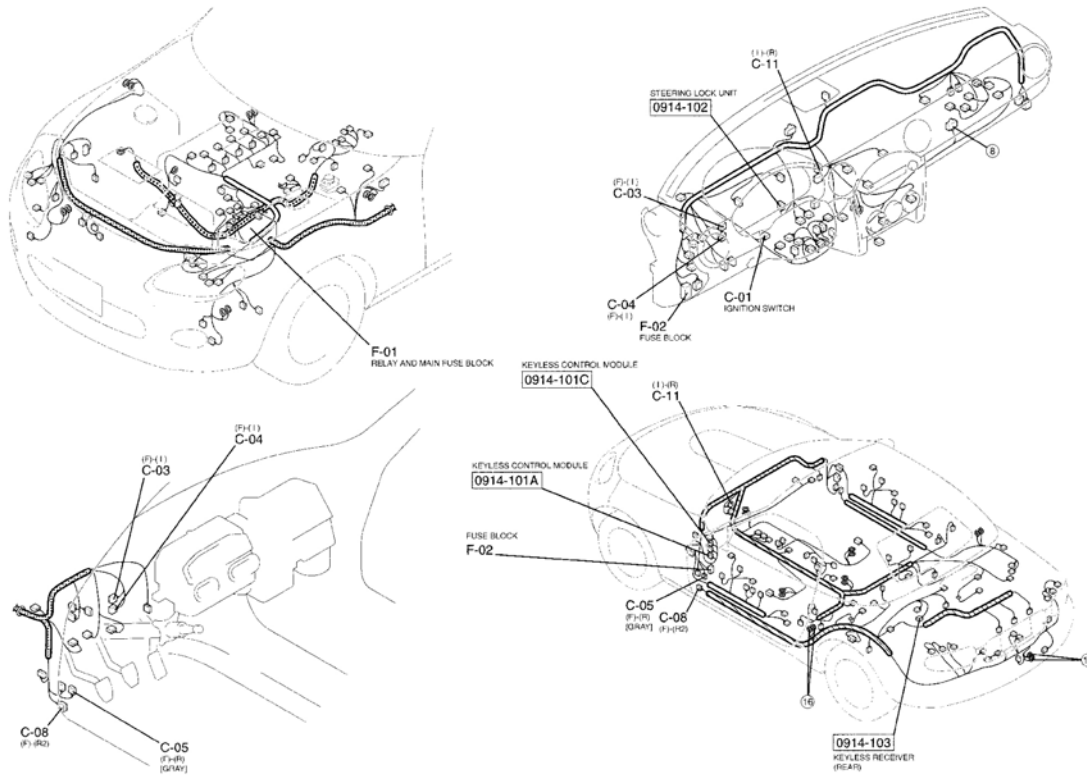


G00434238

Fig. 31: Vehicle Overview
Courtesy of MAZDA MOTORS CORP.

2007 Mazda MX-5 Miata Sport

2007 MAZDA MX-5 Miata

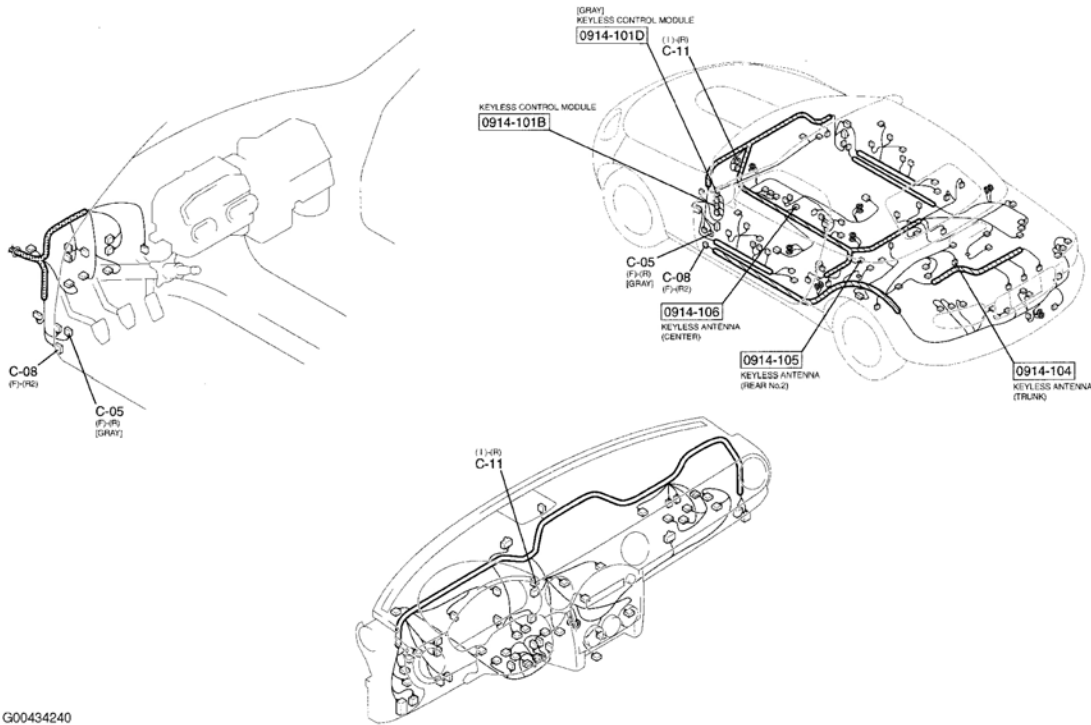


G00434239

Fig. 32: Vehicle Overview
Courtesy of MAZDA MOTORS CORP.

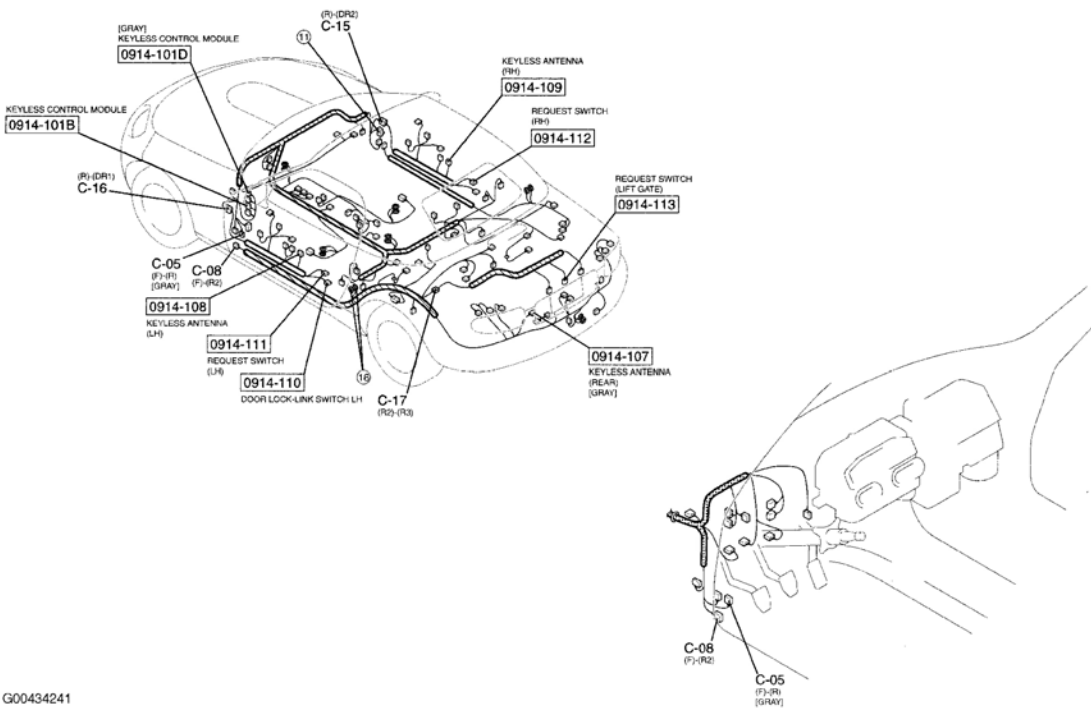
2007 Mazda MX-5 Miata Sport

2007 MAZDA MX-5 Miata



G00434240

Fig. 33: Vehicle Overview
Courtesy of MAZDA MOTORS CORP.

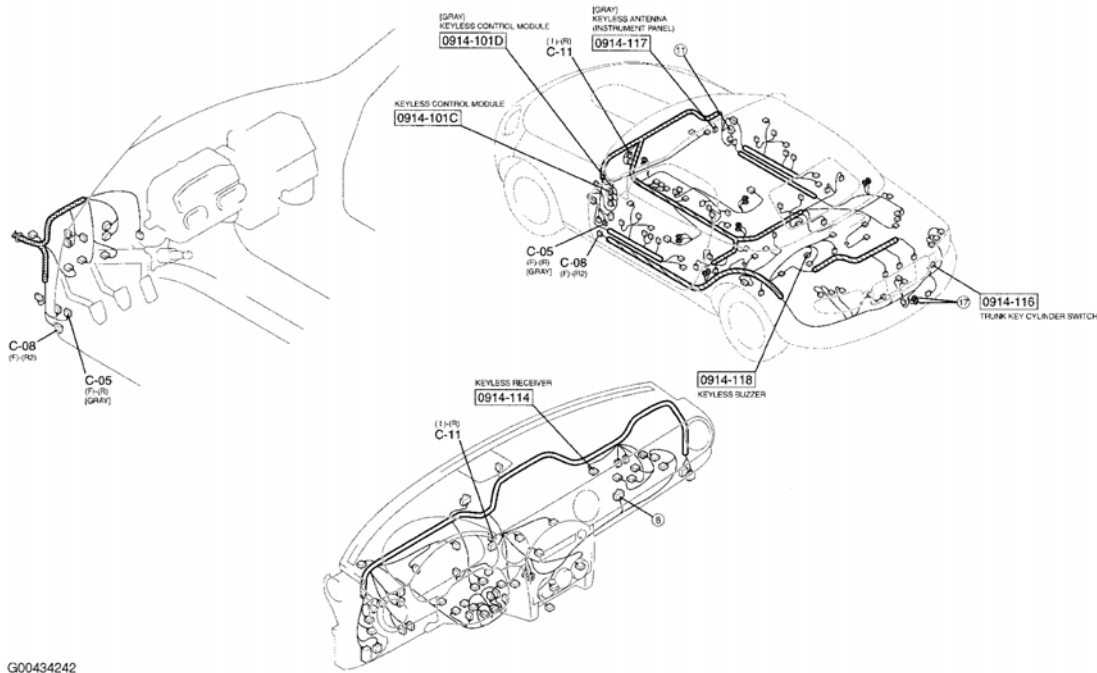


G00434241

2007 Mazda MX-5 Miata Sport

2007 MAZDA MX-5 Miata

Fig. 34: Vehicle Overview
Courtesy of MAZDA MOTORS CORP.



G00434242

Fig. 35: Dash & Vehicle Overview
Courtesy of MAZDA MOTORS CORP.

2007 Mazda MX-5 Miata Sport

2007 MAZDA MX-5 Miata

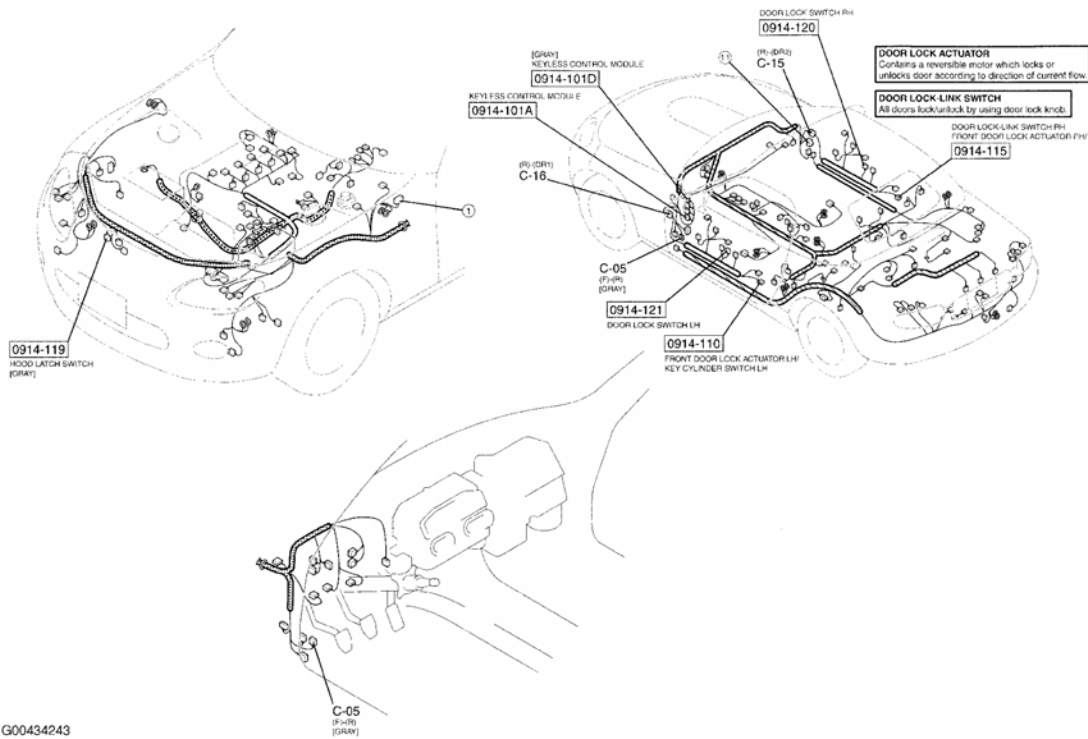
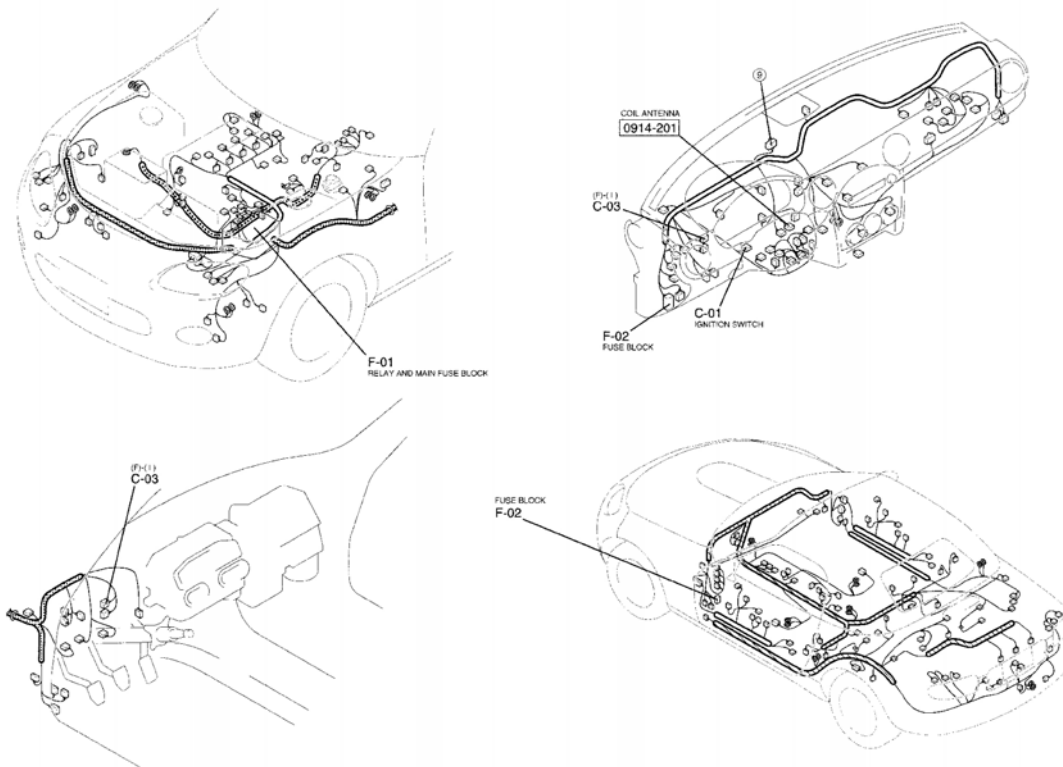


Fig. 36: Engine Compartment & Vehicle Overview
Courtesy of MAZDA MOTORS CORP.

2007 Mazda MX-5 Miata Sport

2007 MAZDA MX-5 Miata



G00434244

Fig. 37: Dash
Courtesy of MAZDA MOTORS CORP.

2007 Mazda MX-5 Miata Sport

2007 MAZDA MX-5 Miata

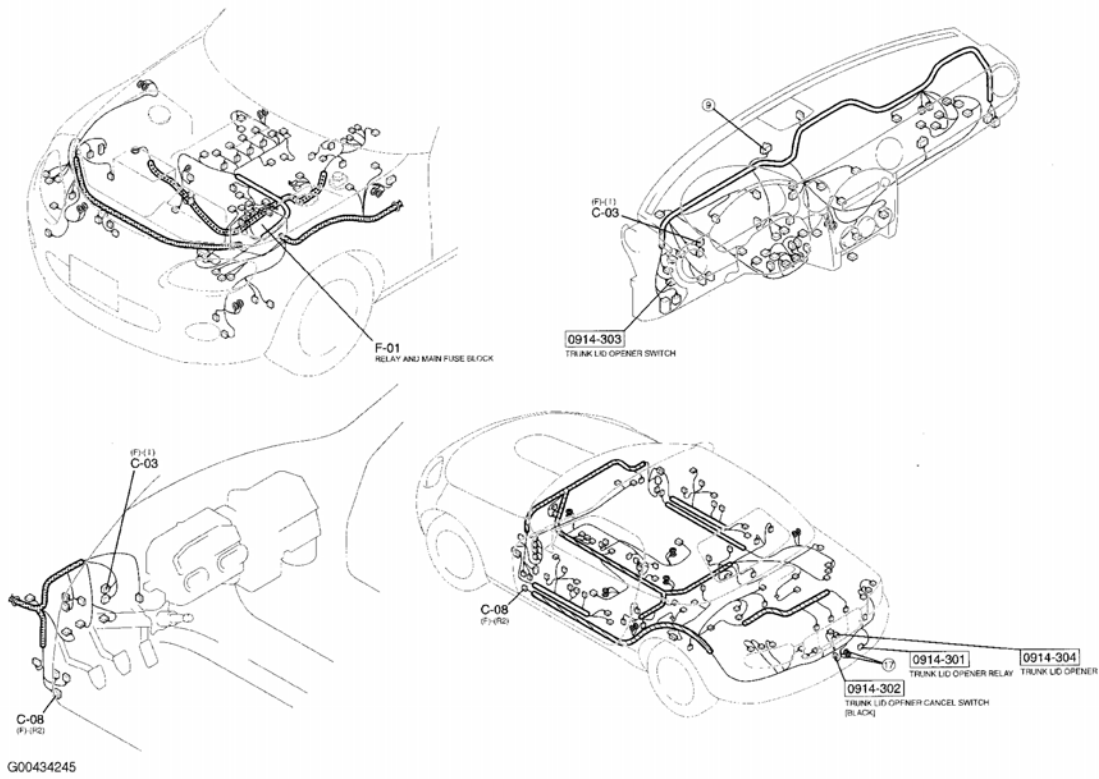


Fig. 38: Rear Of Vehicle
Courtesy of MAZDA MOTORS CORP.

2007 Mazda MX-5 Miata Sport

2007 MAZDA MX-5 Miata

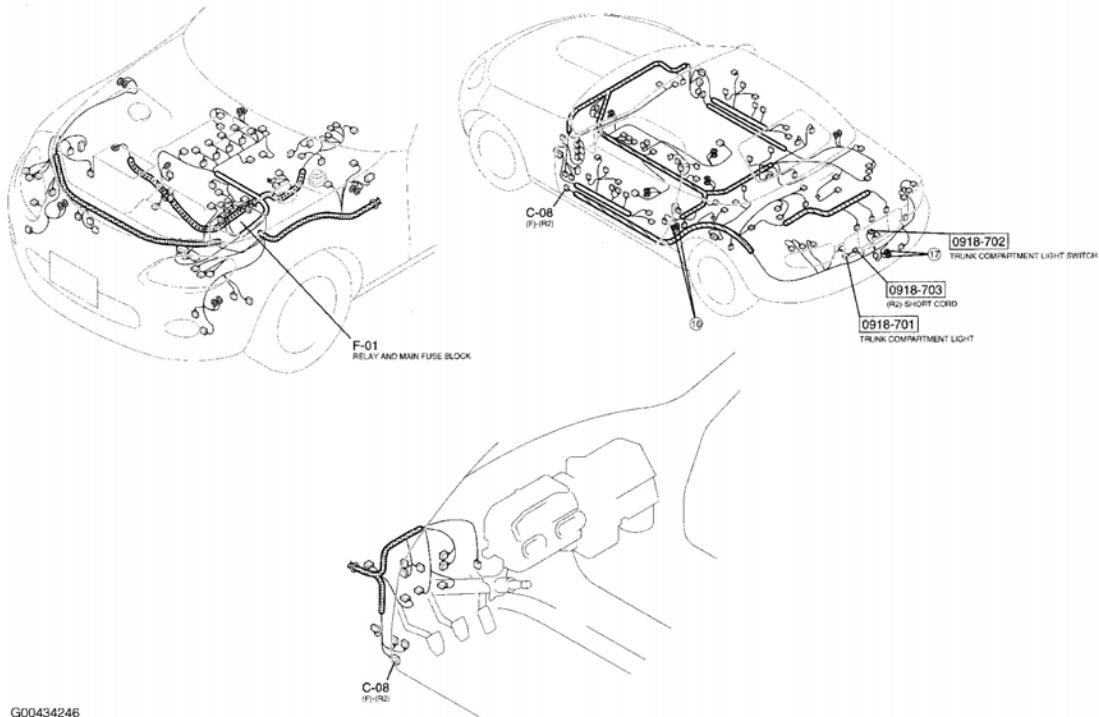
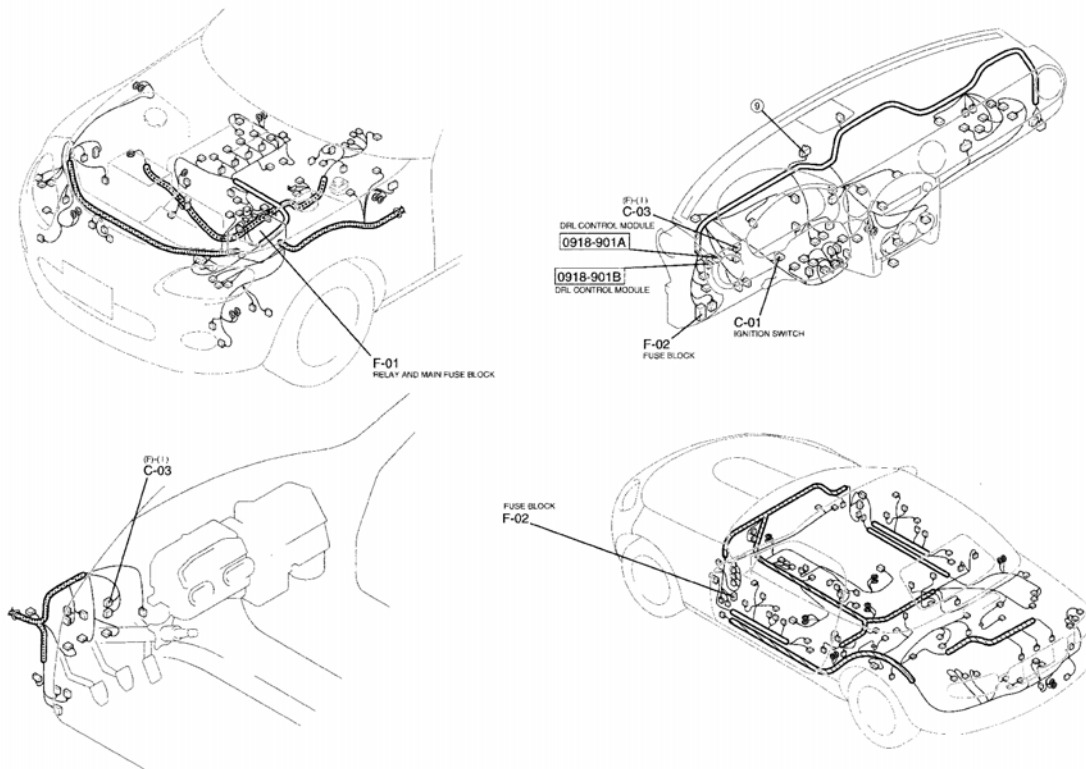


Fig. 39: Rear Of Vehicle
Courtesy of MAZDA MOTORS CORP.

2007 Mazda MX-5 Miata Sport

2007 MAZDA MX-5 Miata

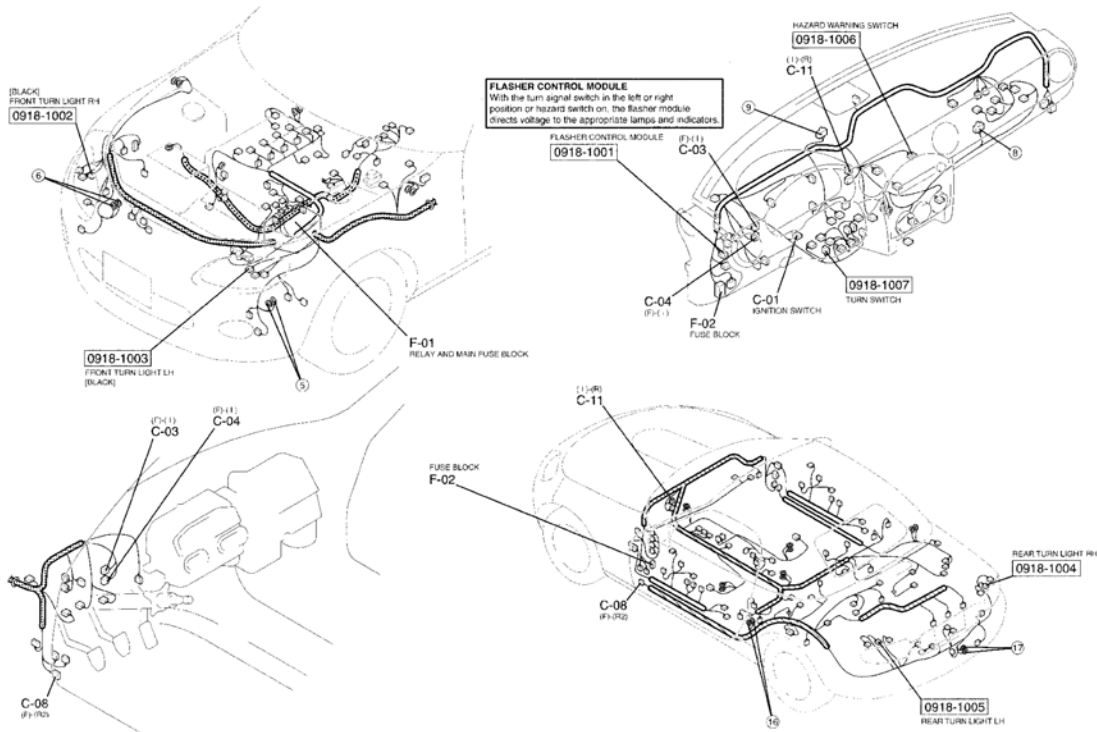


G00434247

Fig. 40: Dash
Courtesy of MAZDA MOTORS CORP.

2007 Mazda MX-5 Miata Sport

2007 MAZDA MX-5 Miata

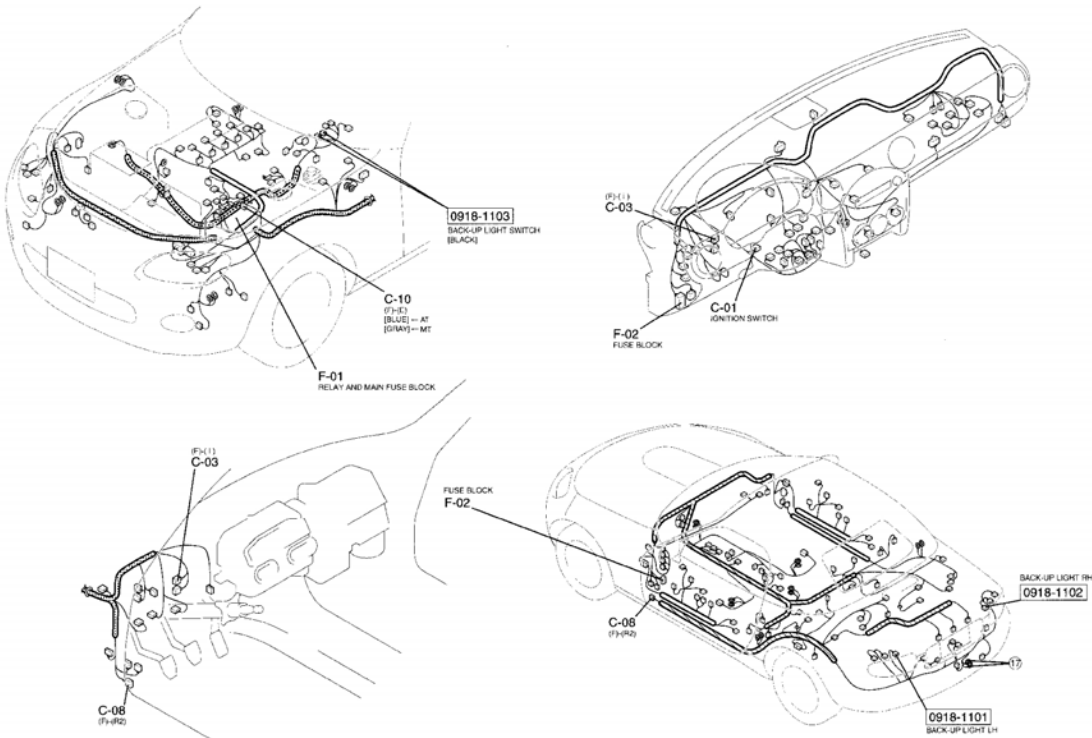


G00434248

Fig. 41: Dash
Courtesy of MAZDA MOTORS CORP.

2007 Mazda MX-5 Miata Sport

2007 MAZDA MX-5 Miata

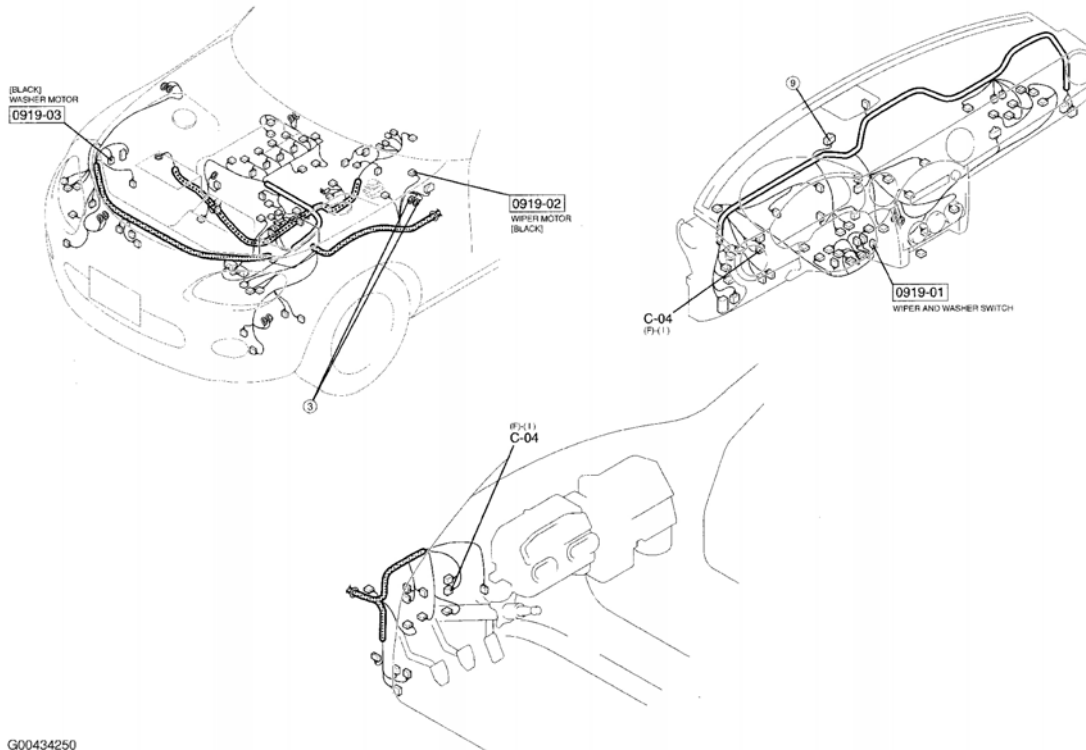


G00434249

Fig. 42: Engine Compartment
Courtesy of MAZDA MOTORS CORP.

2007 Mazda MX-5 Miata Sport

2007 MAZDA MX-5 Miata

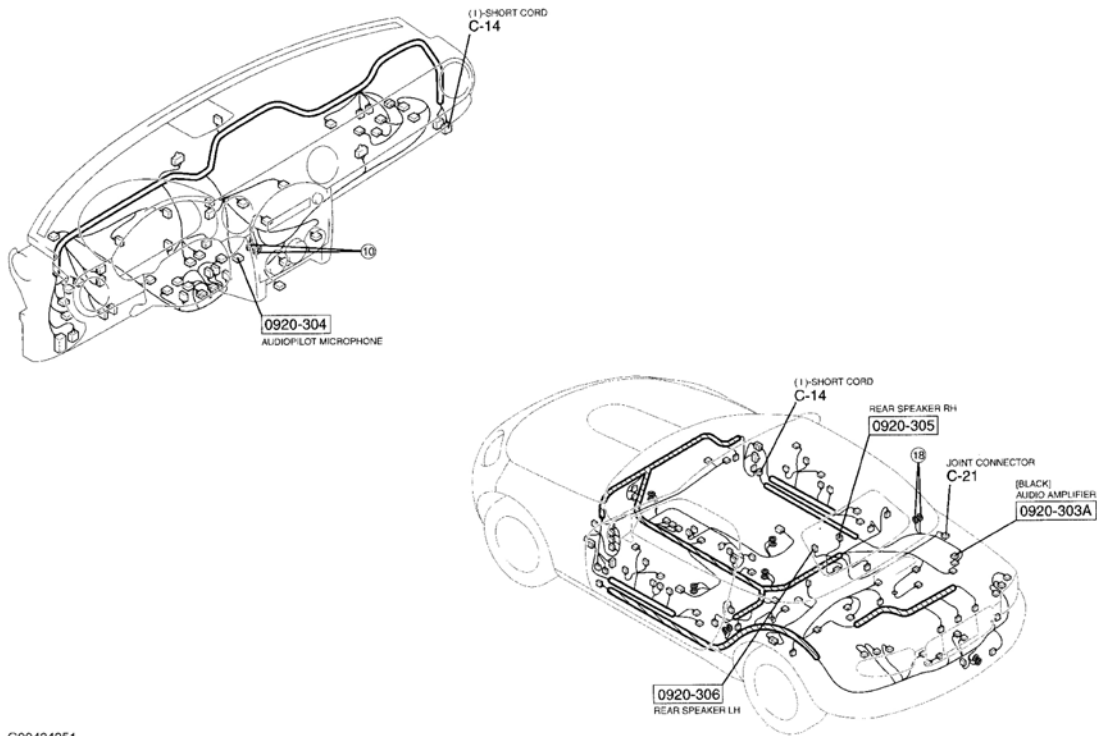


G00434250

Fig. 43: Engine Compartment
Courtesy of MAZDA MOTORS CORP.

2007 Mazda MX-5 Miata Sport

2007 MAZDA MX-5 Miata

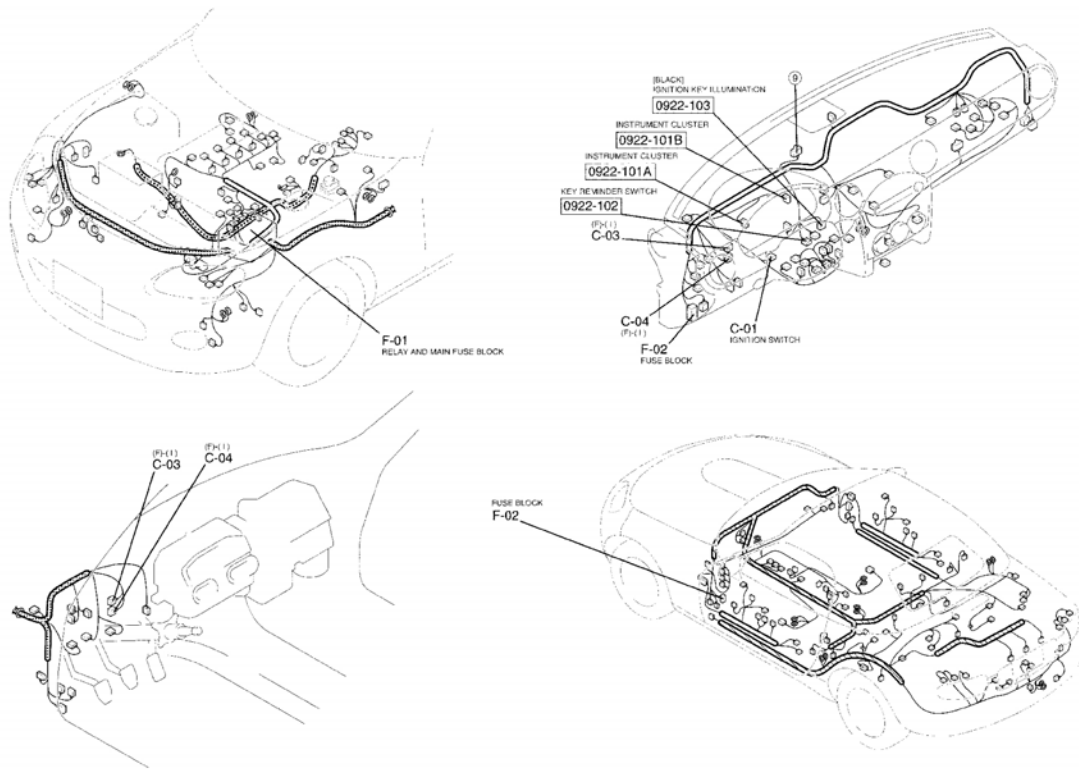


G00434251

Fig. 44: Dash & Vehicle Overview
Courtesy of MAZDA MOTORS CORP.

2007 Mazda MX-5 Miata Sport

2007 MAZDA MX-5 Miata

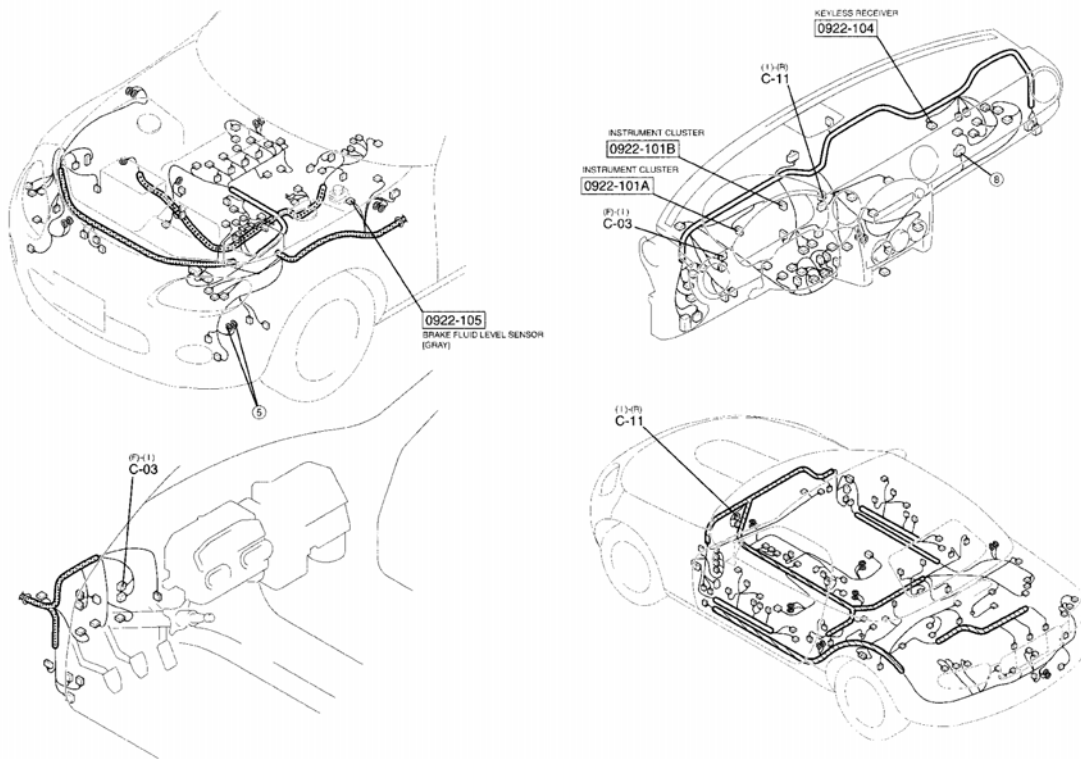


G00434252

Fig. 45: Dash
Courtesy of MAZDA MOTORS CORP.

2007 Mazda MX-5 Miata Sport

2007 MAZDA MX-5 Miata



G00434253

Fig. 46: Engine Compartment
Courtesy of MAZDA MOTORS CORP.

2007 Mazda MX-5 Miata Sport

2007 MAZDA MX-5 Miata

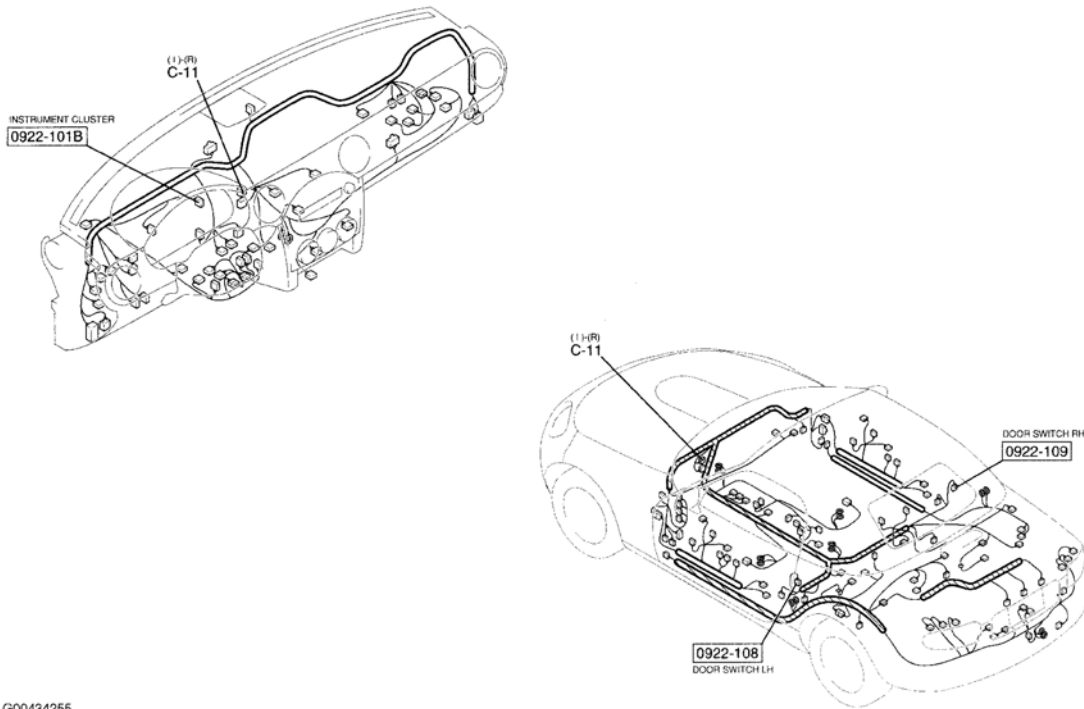
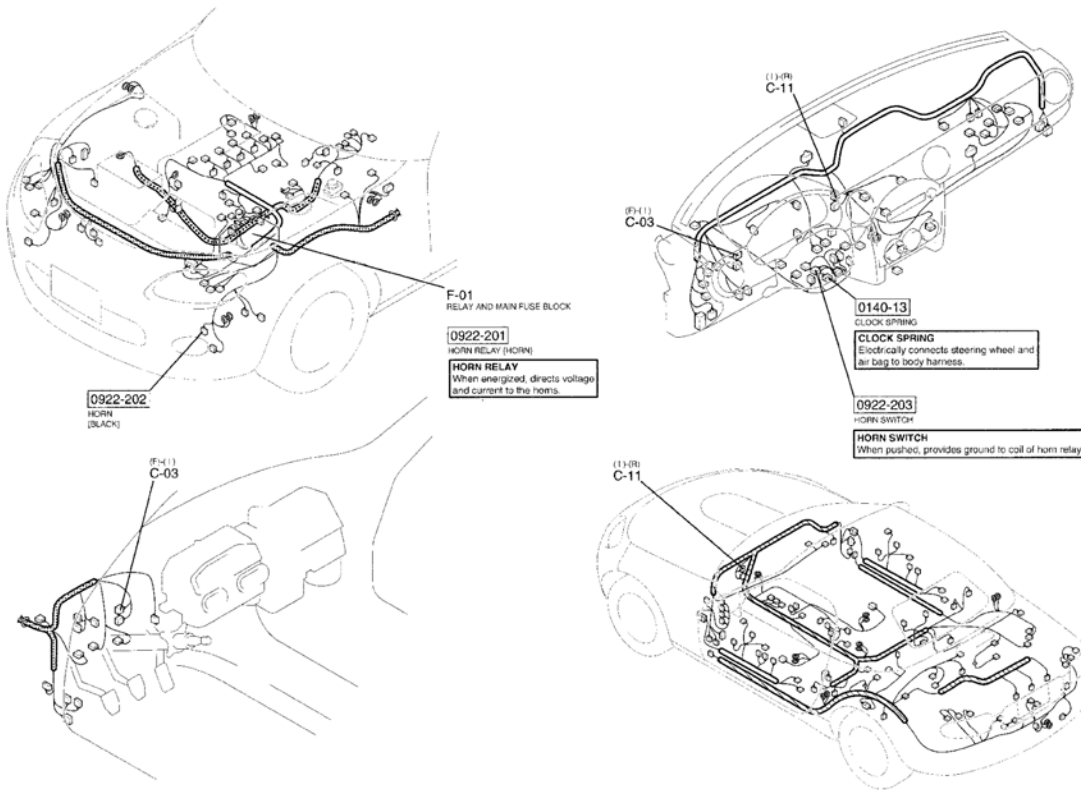


Fig. 48: Vehicle Overview
Courtesy of MAZDA MOTORS CORP.

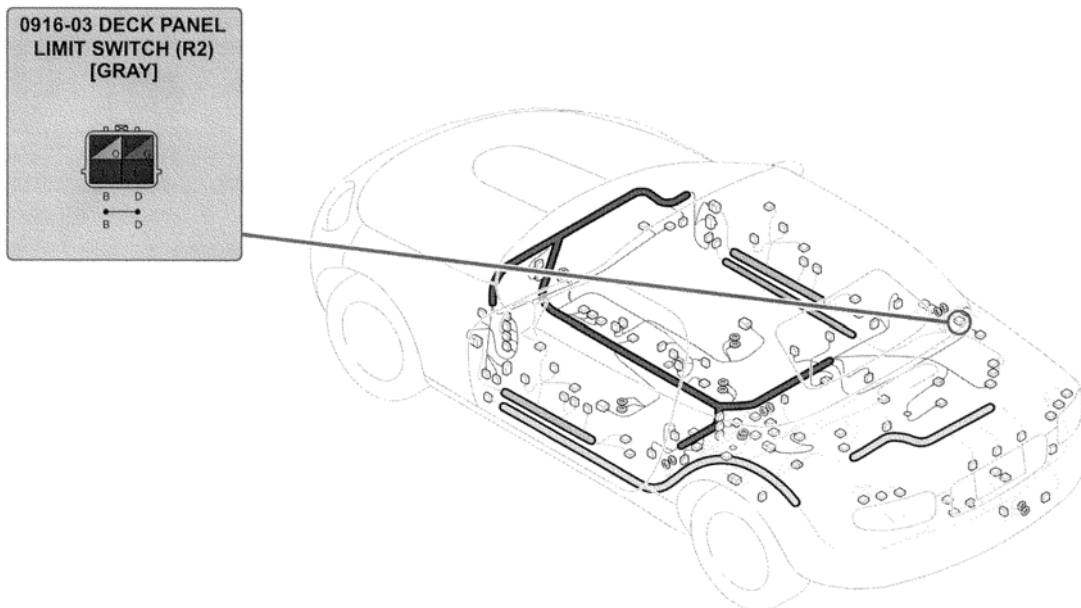
2007 Mazda MX-5 Miata Sport

2007 MAZDA MX-5 Miata



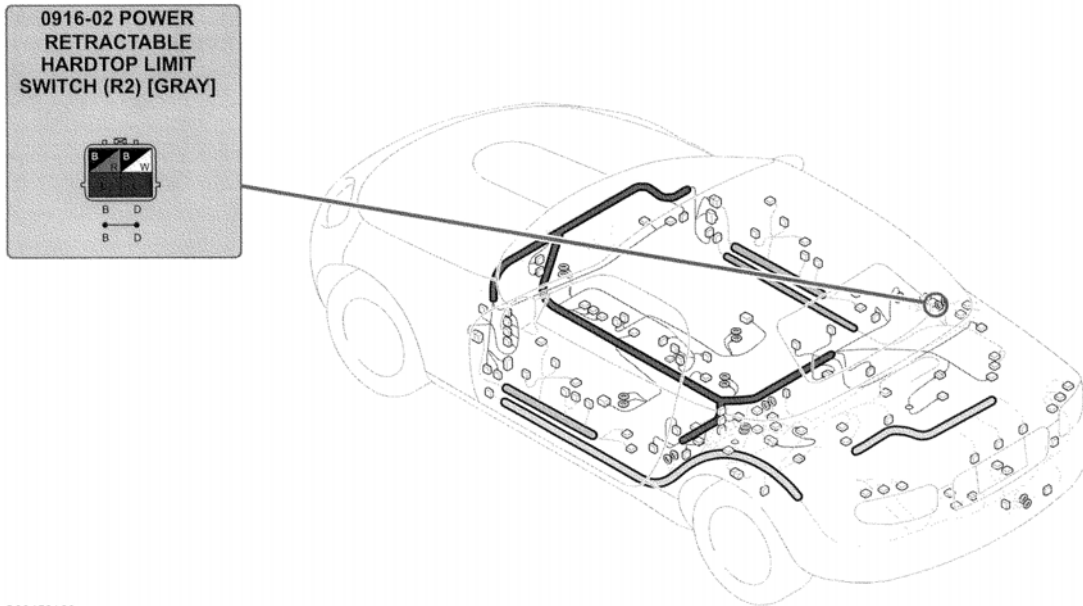
G00434256

Fig. 49: Engine Compartment
Courtesy of MAZDA MOTORS CORP.



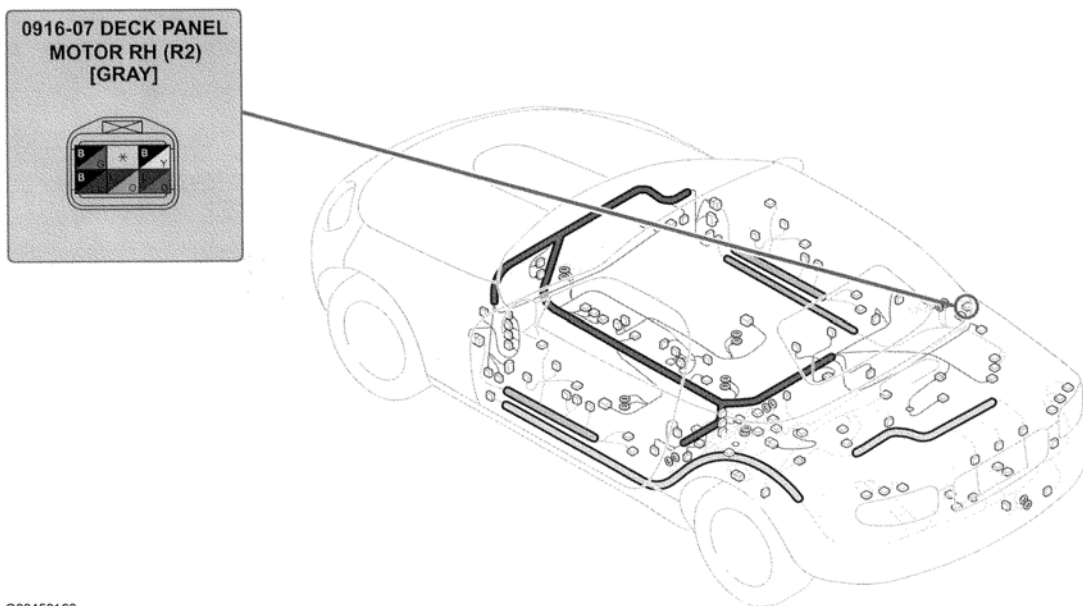
G00450167

Fig. 50: Retractable Top Storage Compartment
Courtesy of MAZDA MOTORS CORP.



G00450168

Fig. 51: Retractable Top Storage Compartment
Courtesy of MAZDA MOTORS CORP.

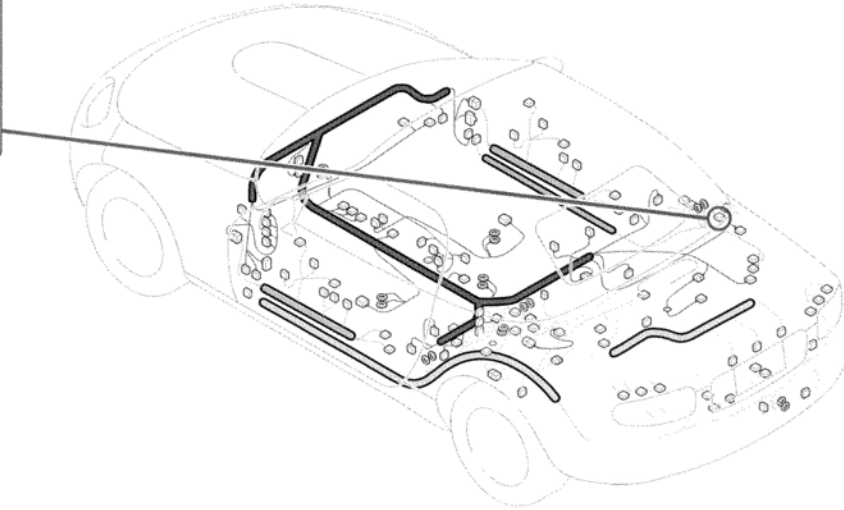
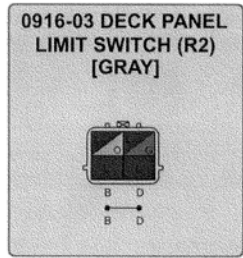


G00450169

Fig. 52: Retractable Top Storage Compartment
Courtesy of MAZDA MOTORS CORP.

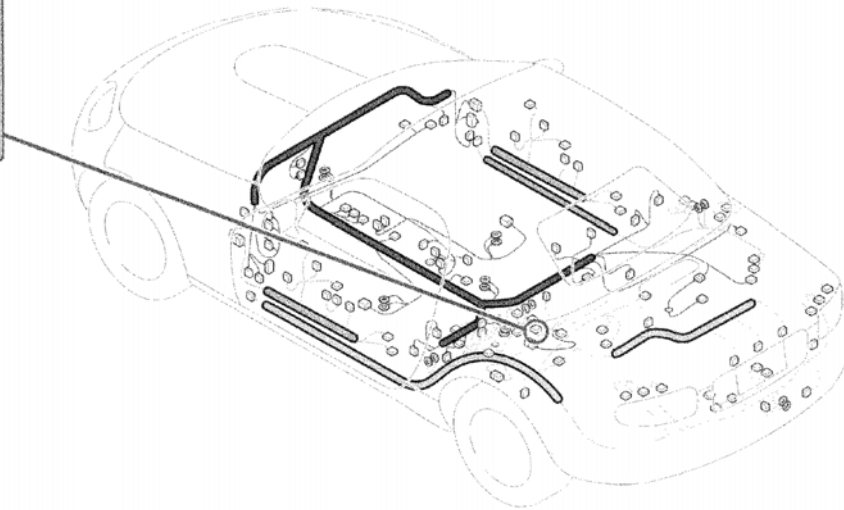
2007 Mazda MX-5 Miata Sport

2007 MAZDA MX-5 Miata



G00450170

Fig. 53: Retractable Top Storage Compartment
Courtesy of MAZDA MOTORS CORP.

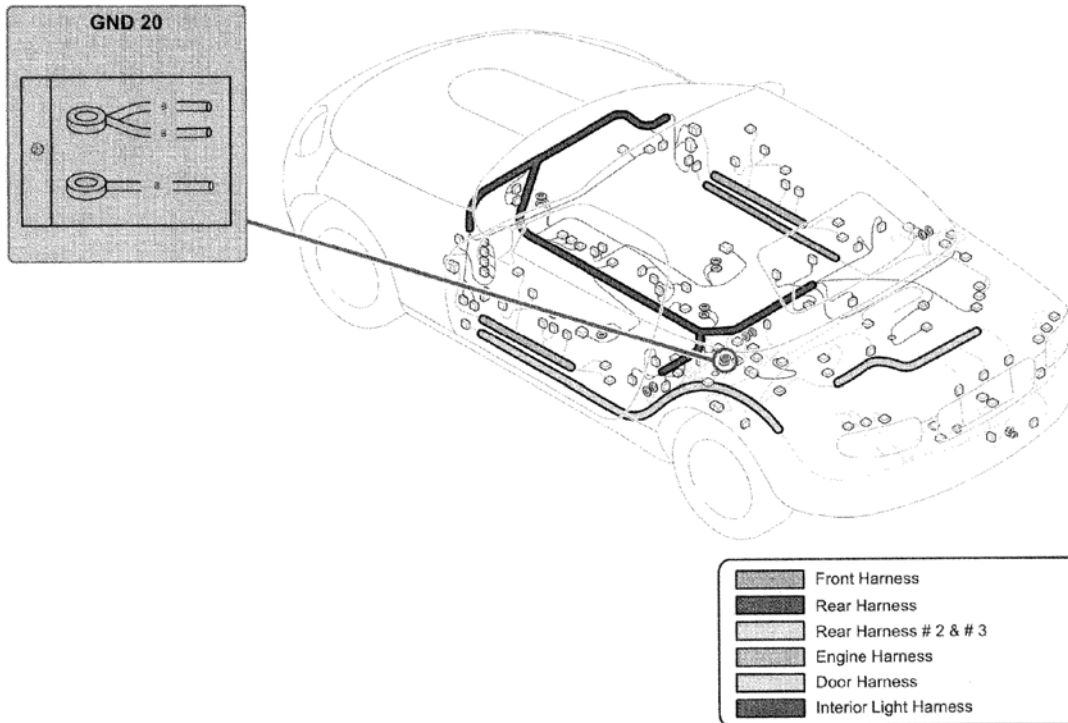


G00450171

Fig. 54: Retractable Top Storage Compartment
Courtesy of MAZDA MOTORS CORP.

2007 Mazda MX-5 Miata Sport

2007 MAZDA MX-5 Miata

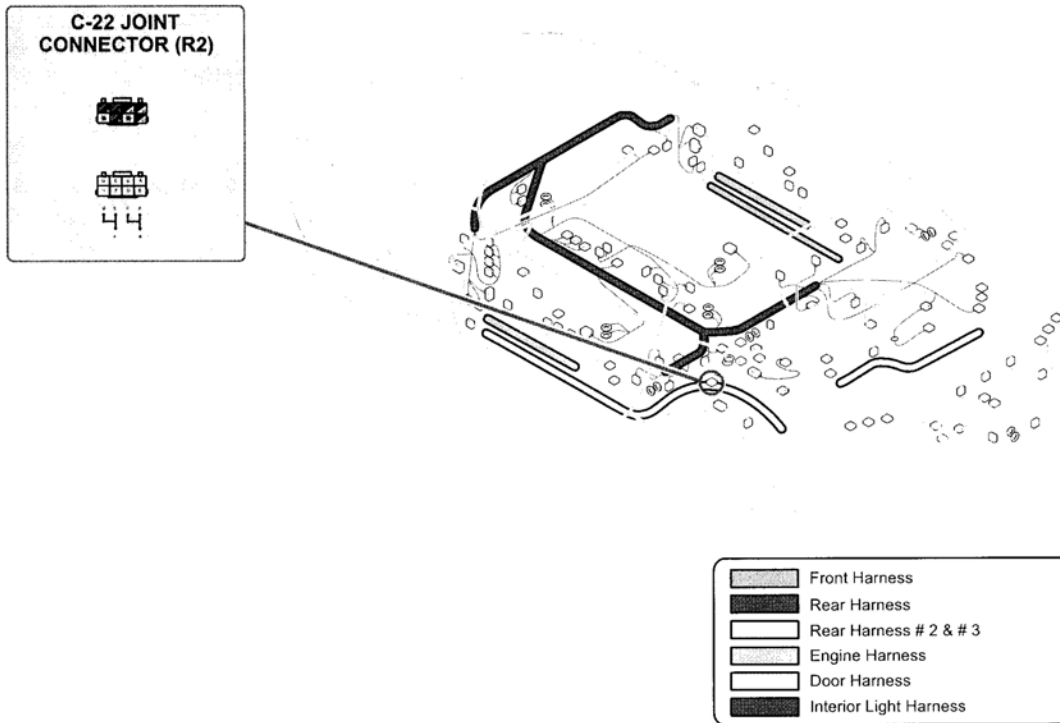


G00450172

Fig. 55: Retractable Top Storage Compartment
Courtesy of MAZDA MOTORS CORP.

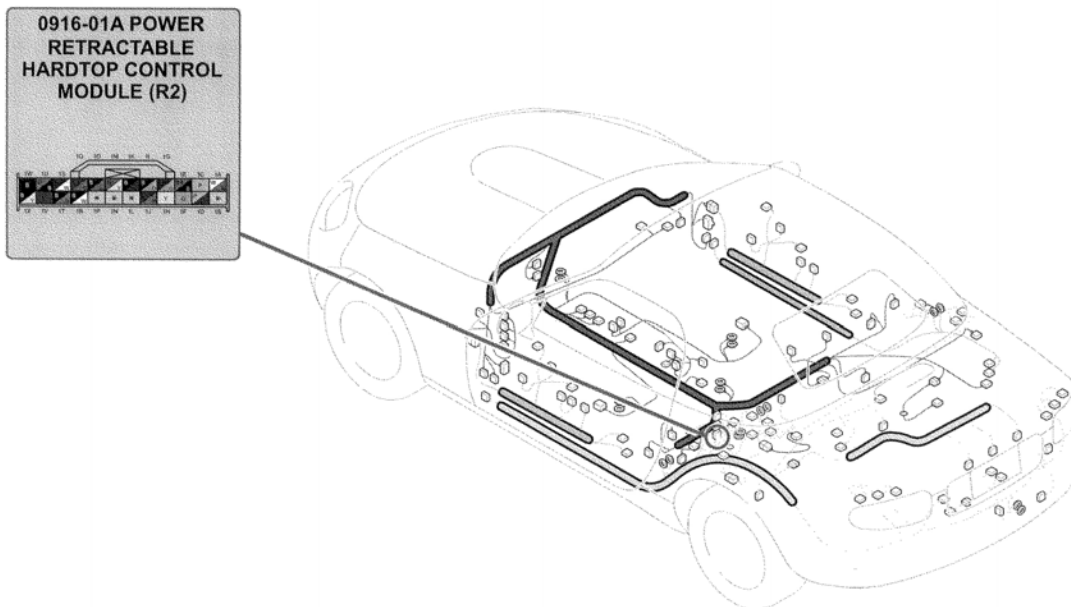
2007 Mazda MX-5 Miata Sport

2007 MAZDA MX-5 Miata



G00450173

Fig. 56: Retractable Top Storage Compartment
Courtesy of MAZDA MOTORS CORP.



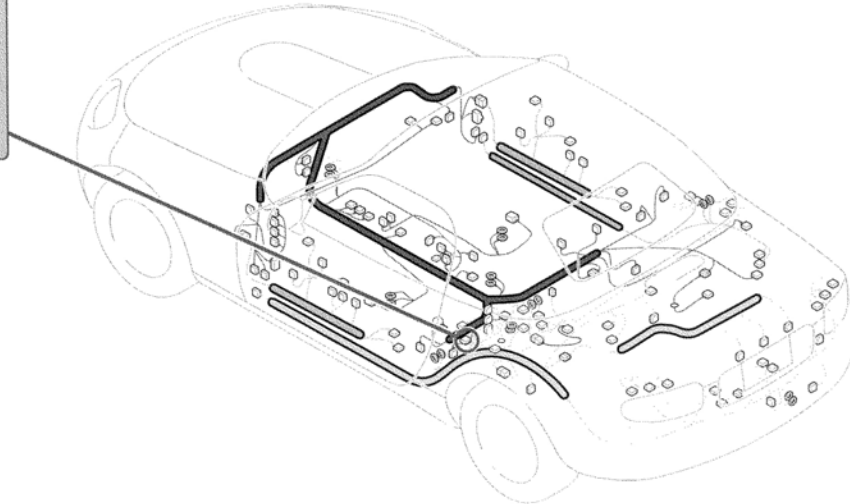
G00450174

Fig. 57: Retractable Top Storage Compartment
Courtesy of MAZDA MOTORS CORP.

2007 Mazda MX-5 Miata Sport

2007 MAZDA MX-5 Miata

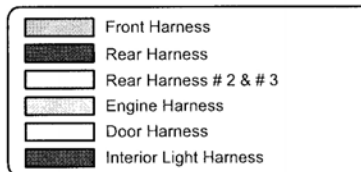
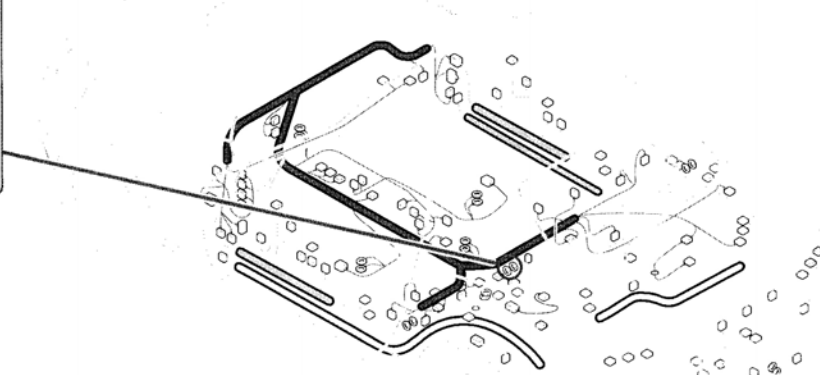
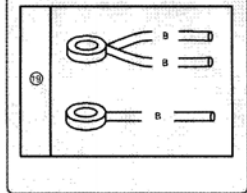
0916-04 ROOF MOTOR
LH (R2) [GRAY]



G00450175

Fig. 58: Retractable Top Storage Compartment
Courtesy of MAZDA MOTORS CORP.

GND 19



G00450176

Fig. 59: Retractable Top Storage Compartment
Courtesy of MAZDA MOTORS CORP.