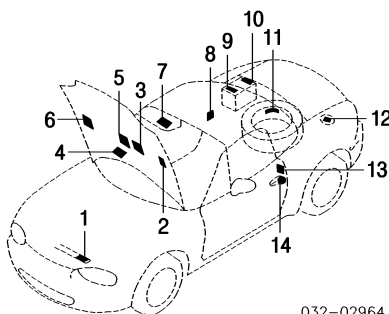


MAZDA MIATA 1999-04

SECTION INDEX

A/C /HEATER/VENTILATION..... 235
 A/C REFRIGERANT CAPACITIES 235
 ABS/BRAKES 237
 AIR BAG SYSTEM..... 237
 AIR CLEANER..... 241
 BACK WINDOW..... 250
 CENTER CONSOLE..... 245
 CLEAR COAT IDENTIFICATION 233
 CONVERTIBLE TOP..... 249
 COOLING..... 234
 COWL & DASH 244
 CRUISE CONTROL SYSTEM 238
 ELECTRICAL..... 242
 EMISSION SYSTEM..... 242
 ENGINE UNDER COVER..... 241
 ENGINE/TRANS 240
 ENGINE/TRANS MOUNTS..... 241
 EXHAUST 241
 FRONT BUMPER 233
 FRONT DOOR..... 247
 FRONT FENDER..... 236
 FRONT INNER STRUCTURE..... 236
 FRONT LAMPS..... 234
 FRONT STEERING LINKAGE/GEAR..... 239
 FRONT SUSPENSION 238
 FUEL TANK..... 252
 HARDTOP..... 250
 HOOD..... 234
 INFORMATION LABELS..... 233
 INSTRUMENT PANEL 244
 LUGGAGE LID..... 251
 PAINT CODE LOCATION..... 233
 QUARTER PANEL 250
 REAR BODY 252
 REAR BUMPER..... 254
 REAR DRIVE AXLE..... 252
 REAR LAMPS..... 253
 REAR SUSPENSION..... 251
 ROCKER/PILLARS/FLOOR..... 246
 SEAT 246
 SEAT BELTS 247
 SPECIAL CAUTIONS..... 233
 STEERING PUMP 239
 STEERING WHEEL/COLUMN 240
 TURBOCHARGER/INTERCOOLER..... 241
 UNDERHOOD DIMENSIONS..... 236
 WHEEL..... 238
 WINDSHIELD..... 243

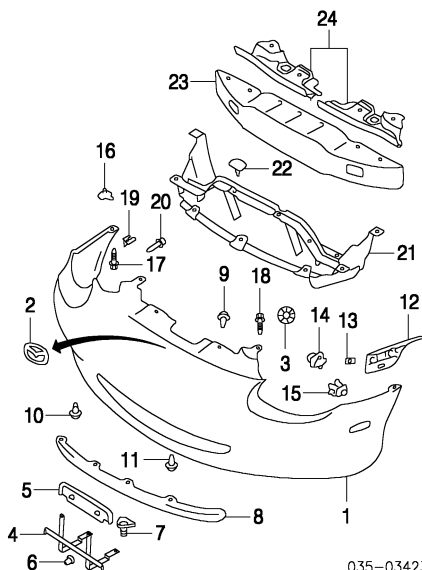


032-02964

	From VIN 138751	NC49-69-C31A
	2001-04	NC72-39-044
4 Label, Fuel Economy		
	1999-02	
	Man Trans	
	5 Speed	NC72-69-042
	6 Speed	NC76-69-042
	Auto Trans	NC77-69-042
	2003	
	Man Trans	NC73-69-042
	Auto Trans	NC81-69-042
	2004	
	Man Trans	NC73-69-042B
	Auto Trans	NC81-69-042B
Label, Emission		
5 w/Calif Emission		
	1999-00	
	To VIN 138751	NC11-69-036
	From VIN 138751	NC57-69-036
	2001-02	NC57-69-036
	2003	NC73-69-036
	2004	
	w/Turbo	BP8J-69-036A
	w/o Turbo	NC73-69-036B
6 w/o Calif Emission		
	1999-00	
	To VIN 138751	NC10-69-036
	From VIN 138751	NC49-69-036
	2001-02	NC72-69-036
	2003	NC73-69-036
	2004	
	w/Turbo	BP8P-69-036
	w/o Turbo	NC73-69-036B
7 Label, Air Bag Caution		BG1R-57-K93A
8 Label, VIN Plate		B001-69-D51
9 Label, Battery Information		FA03-69-C72A
10 Label, Battery Caution		FA01-69-064B
11 Label, Spare Tire	99-03	BF68-69-073B
	04	LD47-69-074
12 Label, Fuel Warning Label, Gasoline		BC1M-69-D61
		TA16-69-065
13 Label, Tire Pressure		NC10-69-014A
	1999-00	
	2001-03	
	Std Susp	NC72-39-014
	Sport Susp	NC74-69-014
	2004	N.A.
14 Label, Safety Panel		FA11-69-C31B

FRONT BUMPER

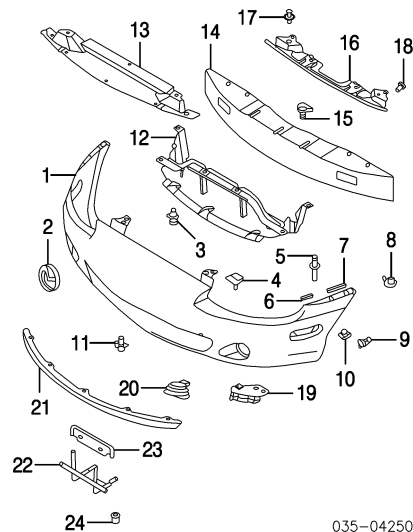
1999-00



035-03423

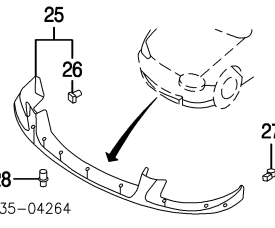
1 Cover, Front (P)	NCY1-50-030D-8J
	(P) Paint to Match
2 Emblem, Front (Adhesive)	NC10-51-731
3 Nut, Speed (3)	9YB3-20-301
4 Frame, License	NA01-50-180A
5 Protector, Frame	FB01-50-144
6 Cap, Screw (2)	0259-33-693
7 Bracket, Frame (2)	NA01-50-18X
8 Panel, Valance	NC10-51-9K0A
9 Fastener, Upper	R/L 1395-68-676-00
10 Fastener, Outer Lower	R/L BF67-50-033
11 Fastener, Inner Lower	R/L BF82-50-233
12 Guard, Side Bumper	R NC10-50-121B
	L NC10-50-131B
13 Clip, Bumper Guard (4/Side)	R/L GJ21-50-049
14 Slide, Otr Bumper	R/L NC10-50-E11B
15 Slide, Inr Bumper	R/L NC10-50-E13A
16 Seal, Side Bumper	R/L BC1M-50-025
17 Screw, Side	R/L 9CS6-00-520
18 Screw, Center (3)	R/L 9GDB-00-616
19 Grommet	R/L NC10-50-0G8
20 Rivet (2/Side)	R/L 9025-84-809
21 Guide, Air	NC10-50-A21A
22 Cover, Guide (3)	NA01-50-101A
23 Reinf, Bumper	NC10-50-071A
24 Retainer, Bumper	NC10-50-0K0B

2001-04



035-04250

1 Cover, Front (P)	04 NE46-50-031A
	w/Turbo
	w/o Turbo
	NOY1-50-030A
	(P) Paint to Match
2 Emblem, Front (Adhesive)	N066-51-731
3 Fastener, Upper (2)	BF67-50-033
4 Cover, Grille (3)	NA01-50-101A
5 Rivet (3/Side)	R/L 9025-73-205
6 Seal, Front Cover	R/L N066-50-M25
7 Seal, Rear Cover	R/L N066-50-M15
8 Grommet, Screw	R/L N066-50-025
9 Clip, Side Bumper	R/L N066-50-E13A
10 Nut, Side Bumper (3/Side)	R/L B455-56-135
11 Fastener, Lower Guide, Air	R/L BF82-50-233
12 w/Turbo	N115-50-A21A
13 w/o Turbo	NC10-50-A21A
14 Reinf, Bumper	N066-50-071
15 Retainer, Bumper Reinf (2)	NA01-50-18X
16 Retainer, Bumper	N066-50-0K0A
17 Fastener, Bumper Retainer	R/L 1395-68-676-00
18 Rivet, Bumper Retainer (2/Side)	R/L 9025-84-809
19 Guard, Bumper	R N066-50-121
	L N066-50-131
20 Cover, Fog Lamp Opng	R N066-50-C11A
	L N066-50-C21A
21 Panel, Valance	NC10-51-9K0A
22 Frame, License	NA01-50-180A
23 Protector, Plate	FB01-50-144
24 Cap, Plate Holder	R/L 0259-33-693



035-04264

25 Spoiler Assy, Front

SPECIAL CAUTIONS

AIR BAGS

Refer to Procedure Explanation 29 for Supplemental Restraint/Air Bag Special Cautions.

SUSPENSION

Manufacturer advises that some new fasteners must be used whenever old fasteners are loosened or removed.

PAINT CODE LOCATION

Paint code located on left lock pillar.

CLEAR COAT IDENTIFICATION

All metallic colors are clear coat.

INFORMATION LABELS

Illustration Located in Next Column

1 Label, Fan Caution	B660-15-031
2 Label, A/C Caution	99-00 NA75-61-439
	01-04 NC72-61-439
3 Label, Vacuum Diagram	
	1999-00
	To VIN 138751
	NC10-69-044

MAZDA MIATA 1999-04

FRONT BUMPER Cont'd

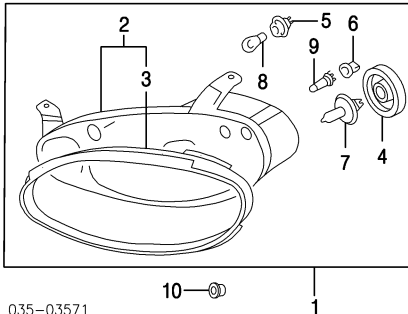
2001-04 Cont'd

Gray (Code 29Y) N115-51-9K0-01
 Green (Code 18J) N115-51-9K0-46
 Red (Code 27A) N115-51-9K0-87
 Silver (Code 22V) N115-51-9K0-67
 White (Code A3D) N115-51-9K0-09

- 26 **Clip, Spoiler** R/L N115-51-958
†Included w/Front Spoiler Assy
 27 **Clip, Spoiler Outer** R/L N115-50-EA1A
 28 **Fastener, Spoiler (7)** N115-51-599A

FRONT LAMPS

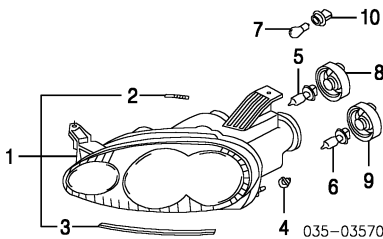
COMBINATION LAMP 1999-00



035-03571

- 1 **Lamp Assy, Combination** R NC10-51-030E
 L NC10-51-040E
 R NC10-51-0K0E
 L NC10-51-0L0E
 2 **Lens & Body Assy** R/L H432-51-0A1
 3 **Protector, Lamp** (a) R NC10-51-0M5B
 L NC10-51-0N5B
(a) Included w/Lens & Body Assy
 4 **Cover, Headlamp Socket** R/L H432-51-0A1
 5 **Cover, Signal Lamp** R/L NC10-51-064
 6 **Socket, Park Lamp** R/L H432-51-0B4
 7 **Bulb, Headlamp** R/L 0000-11-9003
 8 **Bulb, Signal** R/L 0000-11-3496
 9 **Bulb, Park Lamp** R/L 0000-11-0194
†Included w/Combination Lamp Assy
 10 **Fastener, Lamp** R/L NC13-51-025C

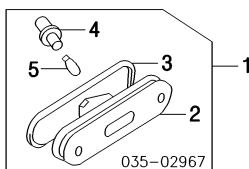
COMBINATION LAMP 2001-04



035-03570

- 1 **Lamp Assy, Combination**
 w/Turbo 04 R NE45-51-0K0
 L NE45-51-0L0
 w/o Turbo R NC72-51-0K0D
 L NC72-51-0L0D
 2 **Seal, Upper Lamp** R N066-51-0M5C
 L N066-51-0N5C
 3 **Seal, Lower Lamp** R/L N066-51-0N7
†Included w/Combination Lamp Assy
 4 **Fastener, Lamp** R/L NC13-51-025C
 5 **Bulb, High Beam** R/L 0000-11-9005
 6 **Bulb, Low Beam** R/L 0000-11-9006
 7 **Bulb, Signal** R/L 0000-11-1157-NA
 8 **Cover, High Beam Bulb** R/L N066-51-0A1
 9 **Cover, Low Beam Bulb** R/L N066-51-0A1
 10 **Socket, Signal** R/L NC10-51-064

SIDE MARKER LAMP

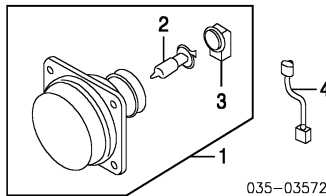


035-02967

- 1 **Lamp Assy, Side Marker** R 8BN1-51-120

- 2 **Lens & Body** L 8BN1-51-130
 R NA01-51-5EXA
 L NA01-51-5FXA
 3 **Gasket** R/L NA01-51-5D3A
 4 **Socket** R/L NA01-51-5E2
 5 **Bulb** R/L 0000-11-0194
†Included w/Side Marker Lamp Assy

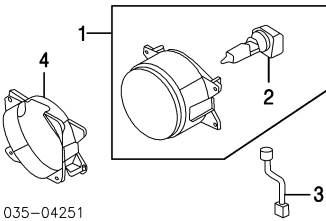
FOG LAMP 2001-03



035-03572

- 1 **Lamp Assy, Fog** R/L N066-51-680A
 2 **Bulb, Fog Lamp** R/L 0000-11-0H3
 3 **Socket, Fog Lamp Bulb** R/L B21H-51-6A6
†Included w/Fog Lamp Assy
 4 **Harness, Fog Lamp** R/L N066-51-688A

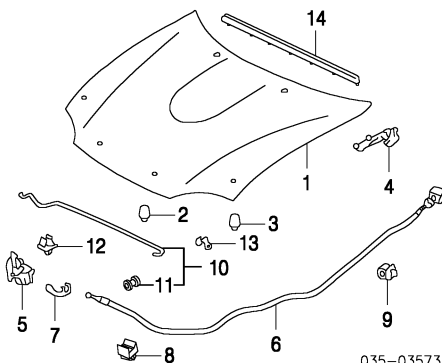
FOG LAMP 2004



035-04251

- 1 **Lamp Assy, Fog** R/L NE01-51-680
 2 **Bulb, Fog** R/L 0000-11-9006
†Included w/Fog Lamp Assy
 3 **Harness, Fog Lamp** R/L NE01-51-688A
 4 **Bracket, Fog Lamp** R/L NE01-51-684A

HOOD



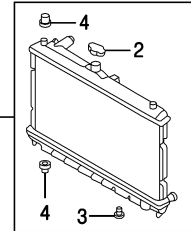
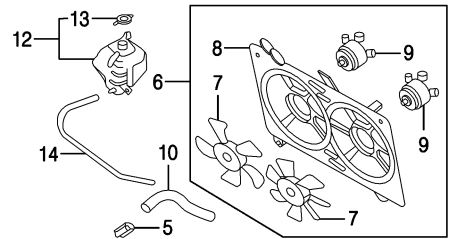
035-03573

- 1 **Panel, Hood** NCY0-52-31XJ
 2 **Cushion, Front Rubber** R/L G067-58-873
 3 **Cushion, Side Bumper** R/L BC1M-56-786
 4 **Hinge, Hood** R NA01-52-410D
 L NA01-52-420D
 5 **Latch** NC10-56-620A
 6 **Cable, Latch Release** NC10-56-720C
 7 **Fastener, Cable** LA01-56-631
 8 **Clip, Front Cable** G030-67-519
 9 **Clip, Rear Cable (2)** UB42-66-971
 10 **Rod Assy, Support** NC10-56-650D
 11 **Holder, Rear Rod** T001-56-652
†Included w/Support Rod Assy
 12 **Holder, Front Rod** G030-56-693A
 13 **Plate, Rear Holder** B01A-56-641
 14 **W/Strip, Rear Hood** NC10-56-760A
Nozzle, Washer-See Windshield Section

COOLING

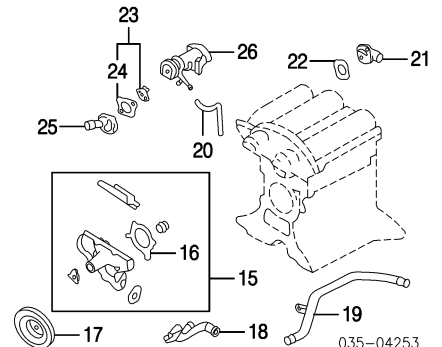
W/TURBO

Illustration Located in Next Column



035-04252

- 1 **Radiator Assy** BP8J-15-200A
 2 **Cap, Radiator** YF47-15-205
 3 **Cock, Drain** NF01-15-203
 4 **Mount, Rad** (2/Side)
 Upper/Lower R/L JE48-15-202
†Included w/Radiator Assy
 5 **Bracket, Rad Mount** R/L BP4W-15-231
 6 **Fan Assy, Cooling** BP8J-15-025A
 7 **Blade, Fan** R FS2V-15-140
 L RF4R-15-140
 8 **Shroud, Fan** BP8J-15-210A
 9 **Motor, Fan** R/L L329-15-150
†Included w/Cooling Fan Assy
 10 **Hose, Upper Rad** BP8J-15-186A
 11 **Hose, Lower Rad** BP8J-15-185B
 12 **Tank Assy, Coolant** BP8J-15-350A
 13 **Cap, Tank** BP8J-15-355
†Included w/Coolant Tank Assy
 14 **Hose, Coolant Tank** BP4W-15-380



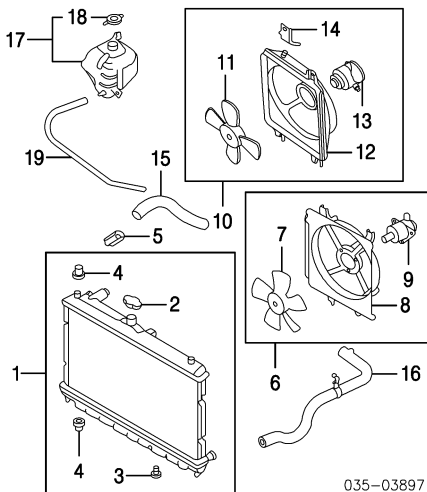
035-04253

- 15 **Pump Assy, Water** 8ABB-15-010A
 16 **Gasket, Water Pump** B6BF-15-116
†Included w/Water Pump Assy
 17 **Pulley, Water Pump** B3C7-15-131
 18 **Inlet, Water** B3CD-15-131
 19 **Pipe, By-Pass** BP8J-15-280A
 20 **Hose, By-Pass** BP6D-15-261
 21 **Outlet, Water** BP4W-15-179
 22 **Gasket, Thermostat Cover (2)** B621-15-173
 23 **Thermostat Assy** BP6F-15-171A
 24 **Gasket, Thermostat** B621-15-173
†Included w/Thermostat Assy
 25 **Cover, Frt Thermostat** BP8E-15-172
 26 **Cover, Rear Thermostat** BP6D-15-170A

W/O TURBO

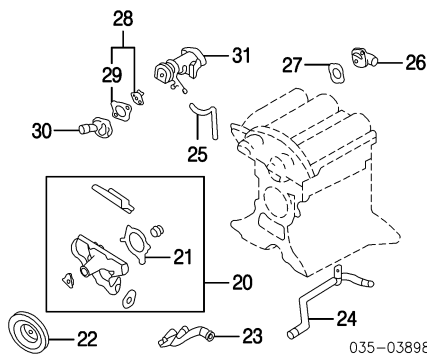
Illustration Located in Next Column

- 1 **Radiator Assy**
 Man Trans BP4W-15-200A
 Auto Trans 99-00 BP4X-15-200A
 01-04 BP6H-15-200
 2 **Cap, Radiator** 99-03 KL01-15-205
 04 YF47-15-205
 NF01-15-203
 3 **Cock, Drain** NF01-15-203
 4 **Mount, Rad** (2/Side)
 Upper/Lower R/L JE48-15-202
†Included w/Radiator Assy
 5 **Bracket, Rad Mount** R/L BP4W-15-231
 6 **Fan Assy, Main Cooling** BP4W-15-025
 7 **Blade, Fan** BP4W-15-140
 8 **Shroud, Fan** BP4W-15-210



035-03897

- 9 Motor, Fan¶ Z5A1-15-150
¶Included w/Main Cooling Fan Assy
- 10 Fan Assy, Auxiliary B6MC-15-035
- 11 Blade, Fan¶ B6MC-15-140
- 12 Shroud, Fan¶ B6MC-15-210
- 13 Motor, Fan¶ Z5A1-15-150
- 14 Bracket, Hose¶ N001-61-4H1
¶Included w/Auxiliary Fan Assy
- 15 Hose, Upper Rad BP4W-15-186B
- 16 Hose, Lower Rad BP4W-15-185B
- 17 Tank Assy, Coolant BP4W-15-350B
- 18 Cap, Tank¶ SLA1-15-355
¶Included w/Coolant Tank Assy
- 19 Hose, Coolant Tank BP4W-15-380



035-03898

- 20 Pump Assy, Water 8ABB-15-010A
- 21 Gasket, Water Pump¶ B6BF-15-116
¶Included w/Water Pump Assy
- 22 Pulley, Water Pump B3C7-15-131
- 23 Inlet, Water 99-00 B61P-15-160
01-04 BP6D-15-160
- 24 Pipe, By-Pass BP4W-15-290A
- 25 Hose, By-Pass 99-00 B61P-15-261A
01-04 BP6D-15-261
- 26 Outlet, Water BP4W-15-179
- 27 Gasket, Thermostat Cover (2) B621-15-173
- 28 Thermostat Assy 99-00 8ABE-15-171
01-03 BP6F-15-171
04 BP6F-15-171A
- 29 Gasket, Thermostat¶ B621-15-173
¶Included w/Thermostat Assy
- 30 Cover, Frt Thermostat BPE8-15-172
- 31 Cover, Rear Thermostat 99-00 BPE8-15-170A
01-04 BP6D-15-170A

A/C REFRIGERANT CAPACITIES

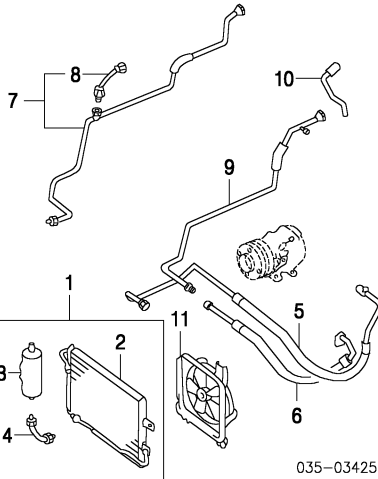
A/C R-134a Refrigerant Capacity
1999-04: 21.2 Ozs (1.32 Lbs)

A/C /HEATER/VENTILATION

1999-00

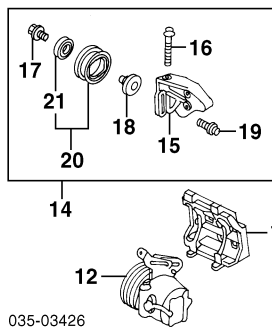
Illustration Located in Next Column

- 1 Condenser Assy NC10-61-480B
- 2 Condenser-Serviced w/Condenser Assy



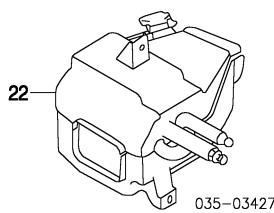
035-03425

- 3 Receiver/Drier¶ NC10-61-500A
- 4 Pipe, Receiver/Drier¶ NC10-61-464
¶Included w/Condenser Assy
- 5 Hose, Suction NC10-61-462A
- 6 Hose, Pressure NC10-61-461A
- 7 Tube Assy, Upper A/C NC10-61-46X
- 8 Switch, Pressure¶ GB6H-61-503
¶Included w/Upper A/C Tube Assy
- 9 Tube, Lower A/C NC10-61-465
- 10 Hose, Drain NA01-61-526
- 11 Fan Assy, Auxiliary-See Cooling Section



035-03426

- 12 Compressor NA75-61-450
- 13 Bracket, Compressor BPE8-15-810A
- 14 Idler Assy BP01-15-930
- 15 Bracket, Pulley¶ BP01-15-951
- 16 Bolt, Adjust¶ E564-15-934
- 17 Collar, Outer¶ E564-15-942
- 18 Collar, Inner¶ BP01-15-933
- 19 Shaft, Pulley¶ 0000-67-C42A-6F
- 20 Pulley Assy, Idler¶ BP01-15-940
- 21 Bearing¶ (a) 9960-68-302
¶Included w/Idler Assy
(a) Included w/Idler Pulley Assy

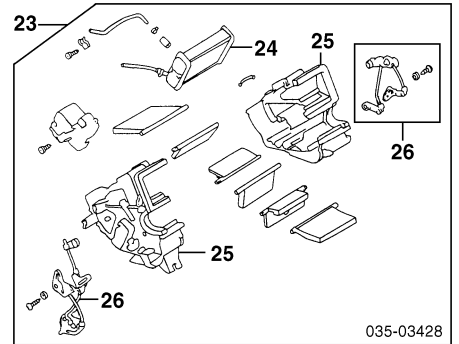


035-03427

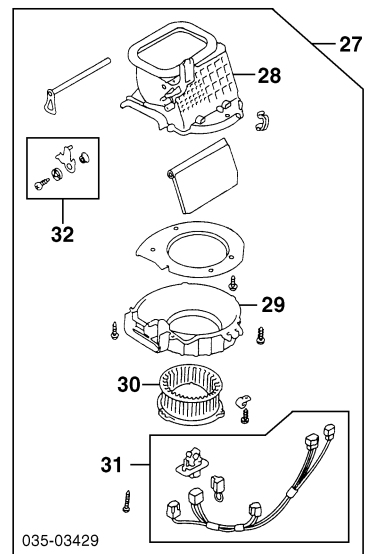
- 22 Evaporator NC10-61-520

Illustration Located in Next Column

- 23 Heater Assy NC11-61-130E
- 24 Core, Heater¶ NC10-61-A10A
- 25 Case, Heater¶ R NC10-61-A01
L NC10-61-A02A
R NA01-61-A20
L NA01-61-A30A
¶Included w/Heater Assy
- 27 Blower Assy NC11-61-140A
- 28 Case, Upwr Blower¶ NA75-61-B01
- 29 Case, Lwr Blower¶ NA01-61-B02
- 30 Motor, Blower¶ NA01-61-B10



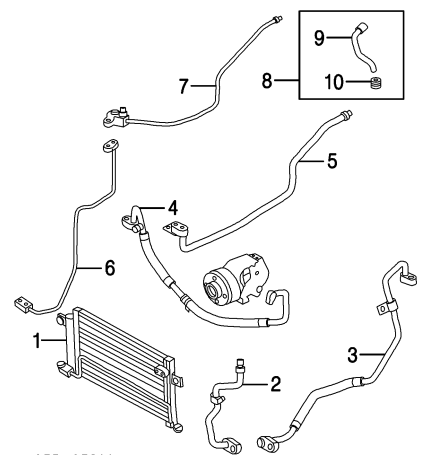
035-03428



035-03429

- 31 Resistor, Blower¶ NA01-61-B15
- 32 Link, Heater¶ NA01-61-B20
¶Included w/Blower Assy

2001-04



035-03899

- 1 Condenser
Optional 99-03 NE02-61-480
04 NC72-61-480C
Standard 99-03 NE01-61-480
04 NC73-61-480B
NC72-61-46XA
- 2 Hose, Condenser 99-03 NC72-61-461E
- 3 Hose, Pressure 04 N101-61-461
- 4 Hose, Suction
2001 To 2-1-01 NC72-61-4T0B
From 2-1-01 NC72-61-4T0F
2002-03 NC72-61-4T0F
2004 NE01-61-4T0
5 Tube, Suction 01-02 NC72-61-46ZA
03-04 NC72-61-46ZE

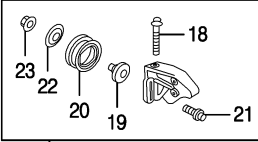
MAZDA MIATA 1999-04

A/C / HEATER / VENTILATION Cont'd

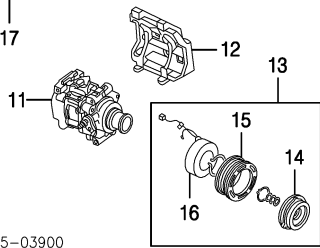
2001-04 Cont'd

- 6 Tube, Upr Condenser
Optional
Standard
- 7 Tube, Lwr Condenser
- 8 Hose Assy, Drain
- 9 Hose, Drain
- 10 Grommet

99-03	NC72-61-462A
04	NC72-61-464A
99-03	NC73-61-464
04	NC73-61-464
	NC72-61-465A
	NC72-61-52X
	NC72-61-526
	LB46-61-558A



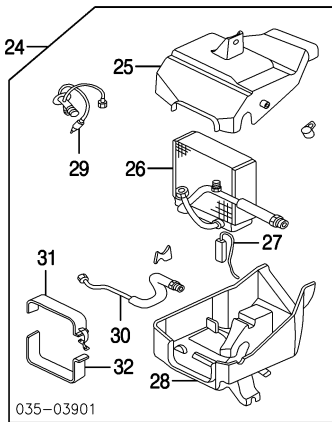
035-03900



- 11 Compressor
- 12 Bracket, Compressor
- 13 Clutch Assy, Compressor
- 14 Armature
- 15 Pulley, Clutch
- 16 Coil
- 17 Idler Assy
- 18 Bolt, Adjust
- 19 Spacer
- 20 Pulley, Idler
- 21 Shaft, Pulley
- 22 Cover, Lever
- 23 Nut, Flange

1999-03	NC72-61-K00
2004	F151-61-K00
To 8-2-03	F151-61-K00A
From 8-2-03	BP6F-15-810
04	BP7V-15-810A
1999-03	N026-61-L10A
2004	N101-61-L10
To 8-2-03	N101-61-L10
From 8-2-03	FD15-61-L11
2004-Serviced w/Compressor Clutch Assy	N026-61-L12
1999-03	FD15-61-L13
2004-Serviced w/Compressor Clutch Assy	B63H-15-930C
	B611-15-966
	R230-15-933
	B63H-15-940A
	B611-15-932
	R230-15-934
	9994-01-000

Belt, Drive-See Steering Pump Section



035-03901

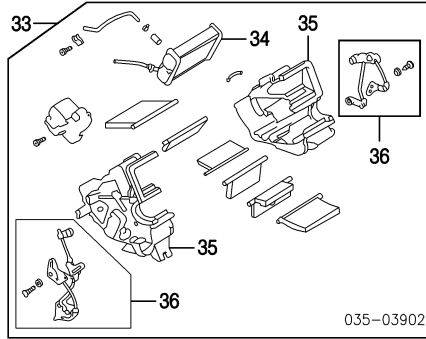
- 24 Evaporator Assy
- 25 Case, Upper
- 26 Core, Evaporator
- 27 Sensor, Valve
- 28 Case, Lower

2001	NC72-61-520D
To 2-1-01	NC72-61-520E
From 2-1-01	NC72-61-520E
2002-04	NC72-61-J01
	NC72-61-J10
	NC72-61-J22A
99-03	N053-61-J14A
04	N053-61-J14A
	NC72-61-J02

- 29 Valve, Expansion
- 30 Pipe, Evaporator
- 31 Plate, Upper Seal
- 32 Plate, Lower Seal

99-03	N053-61-J15
04	N053-61-J14A
99-03	NC72-61-J15
04	NC72-61-J15
	N001-61-529A
	N001-61-529B

Included w/Evaporator Assy

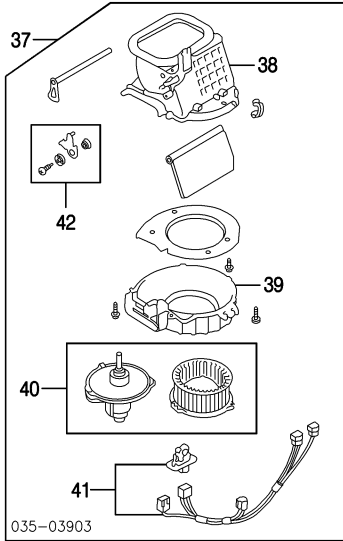


035-03902

- 33 Heater Assy
- 34 Core, Heater
- 35 Case, Heater
- 36 Link, Mode

w/ A/C	NC72-61-130B
w/o A/C	NC11-61-130E
	NC10-61-A10A
R	NC10-61-A01
L	NC10-61-A02A
R	NA01-61-A20
L	NA01-61-A30A
R	NA01-61-A20
L	NC11-61-A30A

Included w/Heater Assy



035-03903

- 37 Blower Assy
- 38 Case, Upper Blower
- 39 Case, Lower Blower
- 40 Motor, Blower
- 41 Resistor, Blower
- 42 Link, Heater

w/ A/C	NC72-61-140
w/o A/C	NC11-61-140A
w/ A/C	NC72-61-B01
w/o A/C	NA75-61-B01
w/ A/C	NC72-61-B02
w/o A/C	NA01-61-B02
	BR70-61-B10
	NA01-61-B15
	NA01-61-B20

Included w/Blower Assy

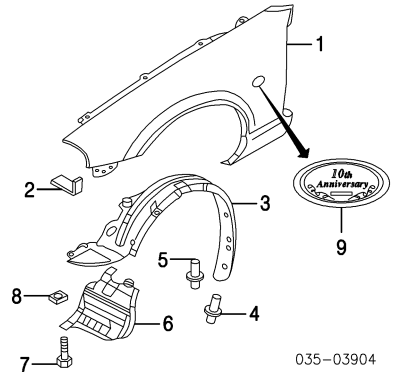
FRONT FENDER

SHEET METAL/EXTERIOR TRIM

Illustration Located in Next Column

- 1 Fender
- 2 Tape, Seal
- 3 Liner, Fender
- 4 Fastener, Liner
- 5 Clip, Liner (17/Side)
- 6 Shield, Splash

R	NCY0-52-110F
L	NCY0-52-210F
R/L	GA2A-56-092
R	NC10-56-131F
L	NC10-56-141F
R/L	NA01-56-145
R/L	BC1D-56-145



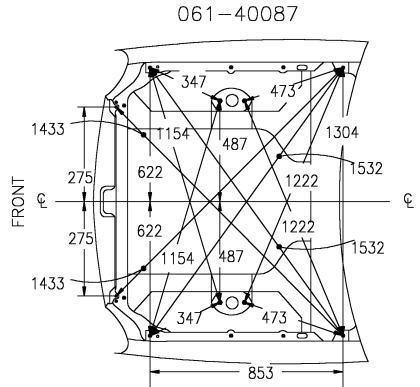
035-03904

- 1999-00
- 2001-03
- 2004
- 7 Bolt, Splash Shield (3/Side)
- 8 Nut, Bolt (3/Side)
- 9 Emblem (Adhesive)

R	NC10-56-132E
L	NC10-56-142D
R	N067-56-132
L	N067-56-142
R/L	N115-56-132A
R/L	N067-56-142
R/L	9CF6-00-520A
R/L	B455-56-135
R/L	N065-51-761B

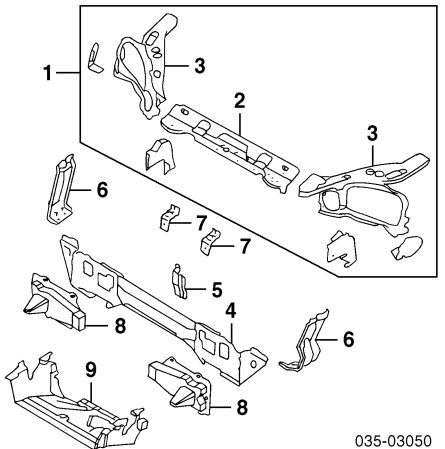
Contact Dealer for Information

UNDERHOOD DIMENSIONS



FRONT INNER STRUCTURE

FRONT



035-03050

- 1 Support Assy, Radiator
- 2 Bar, Upper Tie
- 3 Panel, Side Support
- 4 Bar, Lower Tie
- 5 Support, Latch

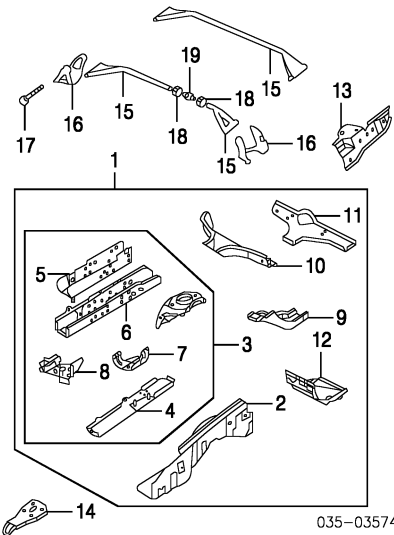
N067-53-100B	
N067-53-150A	
R	NCY0-53-120B
L	NCY0-54-120B

Included w/Radiator Support Assy

MAZDA MIATA 1999-04

6 Bracket, Radiator w/Turbo	R BP8J-15-240 L BP8J-15-250
w/o Turbo	R BP4W-15-241 L BP4W-15-250
7 Brkt, Upr Bumper Stay	R/L NC10-53-1D0A
8 Brkt, Lwr Bumper Stay	R/L NC10-52-12X
9 Cover, Under-See Engine Under Cover Section	

SIDE



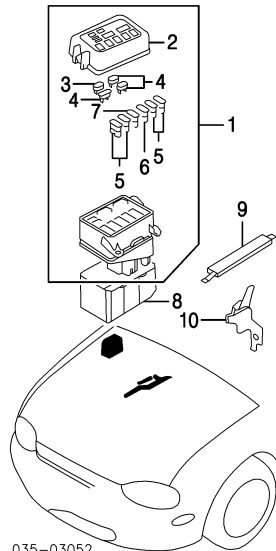
035-03574

1 Apron Assy 1999-03	R NCY0-53-200B L NCY0-54-200B
2004 To 8-2-03	R NCY0-53-200B L NCY0-54-200B
From 8-2-03	R NCY0-53-200D L NCY0-54-200D
2 Panel, Apron	R N067-53-210A L N067-54-210C
3 Frame Assy, Inner Apron	99-00 R N066-53-31X L N066-54-31X 01-04 R N066-53-31X L N066-54-31X
4 Rail, Upper Front (a)	R NC10-53-320B L NC10-54-320
5 Rail, Otr Frame (a)	R NC10-53-35XA L NC10-54-35XA
6 Rail, Inr Frame (a)	R NC10-53-310 L NC10-54-310
7 Bracket, Stabilizer (a)	99-00 R NA01-53-380 L NA01-54-380B 01-04 R N067-53-330 L N067-54-330
8 Reinf, Tie Down Hook (a)	R NA01-53-32XB L NA01-54-32XC
(a) Included w/Inner Apron Frame Assy	
9 Reinforcement	R NC10-53-390A L NC10-54-390A
10 Gusset, Frame	R NA01-53-370A L NA01-54-370A
11 Rail, Upper Rear	R NA01-53-37ZB L NA01-54-37ZD
12 Box, Torque	R NA01-53-391 L NA01-54-391
(a) Included w/Apron Assy	
13 Reinf, Apron	R NA01-53-591 L NA01-54-590
14 Hook, Tie-Down	R NA01-56-34XD L NA01-56-34YD
15 Bar, Susp Strut	99-00 R N044-56-49Y L N044-56-49X 01-04 N067-56-49XA
16 Plate, Strut Bar	99-00 R/L N044-56-492-3 01-04 R N067-56-49ZA L N067-56-49YA
17 Bolt, Strut Bar	R/L N021-56-4K1A
18 Joint, Strut Bar (2)	99-00 N021-56-494A
19 Nut, Strut Bar	99-00 R N022-56-496A L N021-56-499A

ELECTRICAL COMPONENTS

Illustration Located in Next Column

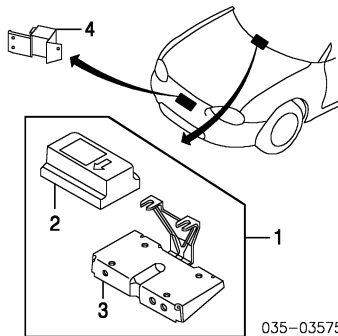
1 Block Assy, Main Fuse 1999-00	NC10-66-760
2001-03	NC82-66-760A
2004	
w/Turbo	NE45-66-760
w/o Turbo	NE01-66-760



035-03052

2 Cover, Upper Block	NC10-66-762
1999-00	
2001-03	NC82-66-762
2004	
w/Turbo	NE45-66-762
w/o Turbo	NE01-66-762
Fuse (a)	
3 15 Amp	0000-11-0015
4 20 Amp (3)	0000-11-0020
5 30 Amp (4)	H115-67-099
6 40 Amp	H116-67-099
7 80 Amp	H117-67-099
(a) Included w/Main Fuse Block Assy	
(a) Order by Application	
8 Cover, Lower Block	NC10-66-767
9 Protector, Harness	NC10-67-P80
10 Bracket, Harness	NC10-67-B81A

AIR BAG SYSTEM

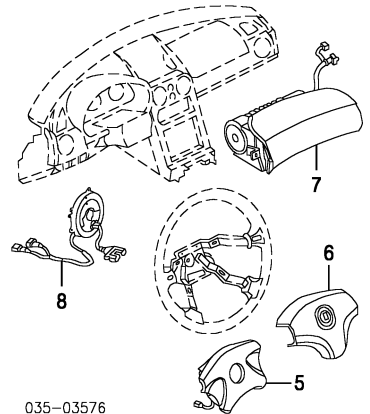


035-03575

1 Control Assy, Air Bag Diagnosis	99-00 NC10-57-K3XB 01-04 N066-57-K3XC
2 Control, Air Bag Diagnosis	1999-00-Serviced w/Air Bag Diagnosis Control Assy 2001-04 N066-57-K30C
3 Bracket, Air Bag Control	N034-57-KX0A (a) Included w/Air Bag Diagnosis Control Assy
4 Sensor, Air Bag	01-04 N066-57-K1XA

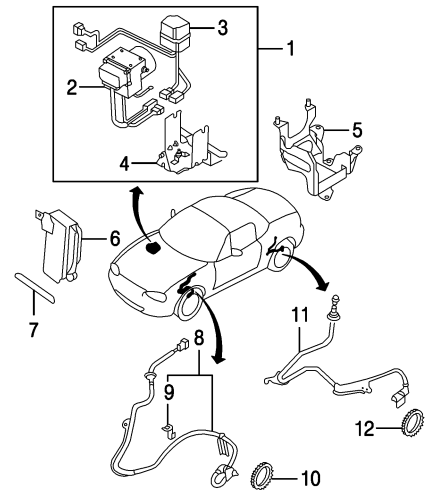
Illustration Located in Next Column

Module, Driver Air Bag	
5 Urethane Wheel	99-00 NC10-57-K00B-00
6 Leather Wrapped Wheel	
1999-00	N055-57-K00D
2001	
To 6-1-01	B28V-57-K00
From 6-1-01	B33M-57-K00-00
2002-04	B33M-57-K00-00
7 Module, Pass Air Bag	NC10-57-K70D-02
8 Clockspring	
1999-00	GE4T-66-CS0A
2001-04	
Alps Brand	N066-66-CS0
Tokai Brand	GE4T-66-CS0A
Pretensioner, Seat Belt	See Seat Belts Section
(a) Serviced w/Front Seat Belt	



035-03576

ABS/BRAKES



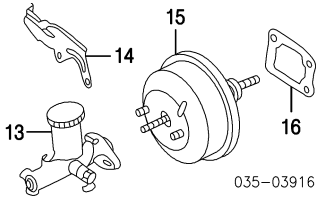
035-03915

1 Hydraulic Assy, ABS	99-00 NC14-43-780A 01-03 NC78-43-780 04 N068-43-7A0
2 Hydraulic Unit	1999-00 NB86-43-7A0B 2001-03 N068-43-7A0 2004-Serviced w/ABS Hydraulic Assy
3 Relay	1999-00 NB86-67-740B 2001-04-Serviced w/Hydraulic Unit
4 Bracket, Upr ABS	99-00 NC14-43-320A 01-04 NC78-43-320
(a) Included w/ABS Hydraulic Assy	
5 Bracket, Lwr ABS	99-00 NC14-43-310 01-04 NC78-43-310 NC14-67-650
6 Control Unit, ABS	NC14-67-9B2A
7 Bracket, ABS Control	
8 Sensor Assy, Front ABS	1999 R/L NA23-43-70XE 2000 To VIN 127064 R NA23-43-70XE L NA23-43-73XE From VIN 127064 R NC14-43-70X L NC14-43-73XA R NC14-43-70X L NC14-43-73XA
9 Clip, Front Sensor	R/L NA23-43-705 (a) Included w/Front ABS Sensor Assy
10 Ring, Frnt ABS Sensor	See Front Suspension Section (a) Included w/Hub Assy w/ABS-listed in Front Suspension Section
11 Sensor, Rear ABS	99-00 R NA23-43-71YB L NA23-43-72YB 01-04 R N068-43-71YB L N068-43-72YB
12 Ring, Rear ABS Sensor	R/L BC4C-33-471
(a) Included w/ABS Hydraulic Assy	
13 Cylinder, Master	1999-00 NC15-43-400 w/ABS NC10-43-40Z w/o ABS NC78-43-400B 2001-04
14 Holder, Master Cylinder	

Illustration Located in Next Column

MAZDA MIATA 1999-04

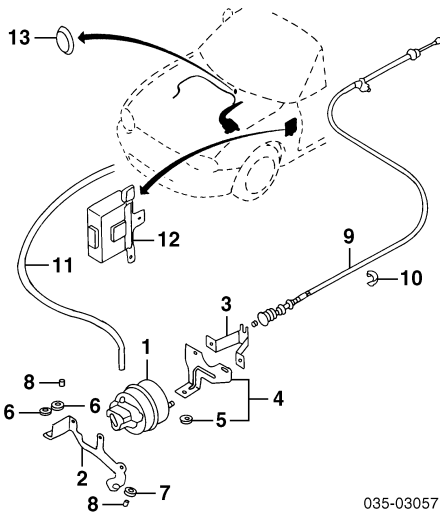
ABS/BRAKES Cont'd



035-03916

- | | |
|---------------------------------|--------------|
| 1999-00 | NA02-43-750A |
| 2001-04 | NC72-43-750A |
| Std Susp | NC74-43-750 |
| Sport Susp | |
| 15 Booster, Brake | |
| 1999-00 | NA80-43-800 |
| w/ABS | NA75-43-800 |
| w/o ABS | N069-43-800 |
| 2001-04 | H001-43-443 |
| 16 Gasket, Brake Booster | |

CRUISE CONTROL SYSTEM

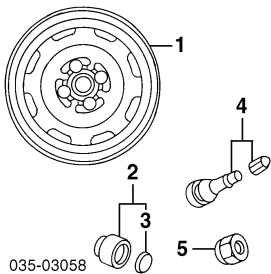


035-03057

- | | |
|--|--------------------|
| 1 Actuator, Cruise Control | LA01-66-310A |
| 2 Bracket, Front Actuator | 99-00 NC11-66-3A3A |
| | 01-04 NC72-66-3AY |
| 3 Bracket, Rear Otr Actuator | 99-00 LA01-66-3A1 |
| | 01-04 NC72-66-3AXA |
| 4 Bracket Assy, Rear Inner Actuator | 99-00 NC11-66-3AY |
| | 01-04 NC72-66-3AXA |
| 5 Grommet, Rear Inr Brkt | UE54-66-3A4 |
| *Included w/Rear Inner Actuator Bracket Assy | |
| Grommet, Front Bracket | |
| 6 Right (2) | UE54-66-3A4 |
| 7 Left | B6S7-13-349 |
| 8 Spacer, Actuator | R UE54-66-3A5 |
| | L B6S7-13-329 |
| 9 Cable, Actuator | 99-00 NC11-66-311 |
| | 01-04 NC72-66-311 |
| 10 Clip, Cable (3) | JE48-18-868 |
| 11 Pipe, Cruise Control | 99-00 NC11-66-360B |
| | 01-04 NC72-66-360A |
| 12 Control, Cruise | 99-00 NC12-66-320 |
| | 01-04 NC72-66-320 |
| 13 Grommet, Hole | |
| w/o Cruise Control | B092-41-661 |

WHEEL

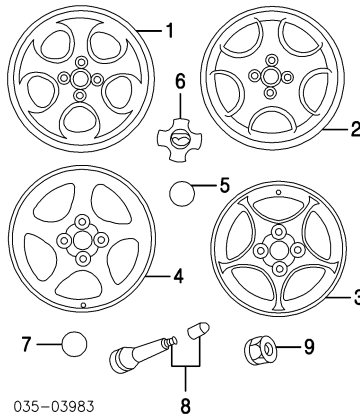
STEEL WHEEL



035-03058

- | | | |
|-----------------------------|--------------|--------------|
| 1 Wheel, Steel | 14x5-1/2" | 9965-B9-5540 |
| 2 Cap Assy, Center | B21V-37-190 | |
| 3 Emblem, Center | G14H-37-192 | |
| *Included w/Center Cap Assy | | |
| 4 Stem, Valve | 9963-60-4130 | |
| 5 Nut, Lug | B002-37-160A | |

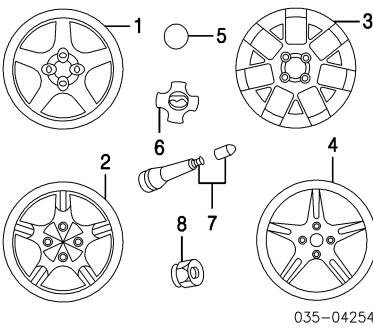
ALLOY WHEEL 1999-03



035-03983

- | | | |
|-----------------------|----------------|--------------|
| Wheel, Alloy | | |
| 1 14x6" | | 9965-25-6040 |
| 2 Type 1 | | |
| Chrome | 9965-H6-6050 | |
| Silver | | |
| 1999-00 | 9965-F6-6050 | |
| 2001-03 | 9965-J1-6050 | |
| 3 Type 2 | | |
| 16x6-1/2" | 9965-L0-6050 | |
| 4 Cap, Center | | |
| 15x6" Wheels | | |
| 5 Type 1 | NC10-37-190 | |
| | 02 NC76-37-190 | |
| | 03 N072-37-190 | |
| 6 Type 2 | N067-37-190 | |
| 7 16x6-1/2" Wheels | | |
| *Order by Application | | |
| 8 Stem, Valve | | |
| Black | 9963-60-4130 | |
| Chrome | 9963-60-414C | |
| 9 Nut, Lug | B002-37-160A | |

ALLOY WHEEL 2004



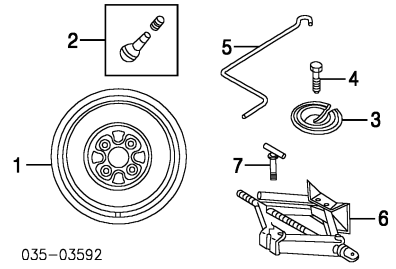
035-04254

- | | | |
|----------------------|--------------|--------------|
| Wheel, Alloy | | |
| 1 15x6" | | 9965-J1-6050 |
| 2 5 Spoke | | 9965-43-6560 |
| 3 7 Spoke | | 9965-54-6560 |
| 4 17x7" | | 9965-19-7070 |
| Cap, Center | | |
| 5 Type 1 | | |
| 5 Spoke Wheels | D376-37-190 | |
| 7 Spoke Wheels | NE45-37-190 | |
| | NC97-37-190 | |
| 6 Type 2 | 9963-60-4130 | |
| 7 Stem, Valve | 9963-60-4130 | |
| 8 Nut, Lug | B002-37-160A | |

SPARE WHEEL & HARDWARE

Illustration Located in Next Column

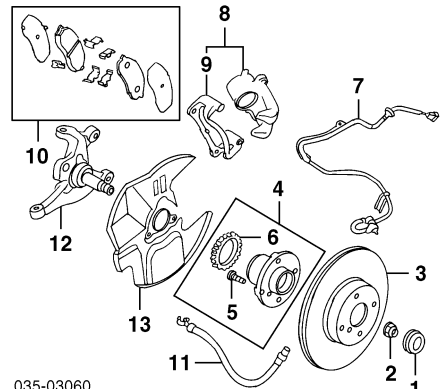
- | | | |
|-----------------------|-------|--------------------|
| 1 Wheel, Spare | 14x4" | 99-03 9965-21-4040 |
| | | 04 9965-25-4040 |



035-03592

- | | |
|-----------------------------|--------------------|
| 15x4" | 9965-31-4050 |
| 2 Stem, Valve | 9963-60-4130 |
| 3 Clamp, Spare Wheel | GA5R-56-971C |
| 4 Bolt, Spare Clamp | T001-56-961 |
| 5 Handle, Jack | D201-37-810 |
| 6 Jack | 99-03 B25D-37-790B |
| | 04 N077-37-790 |
| 7 Bolt, Jack | B001-56-170C |

FRONT SUSPENSION

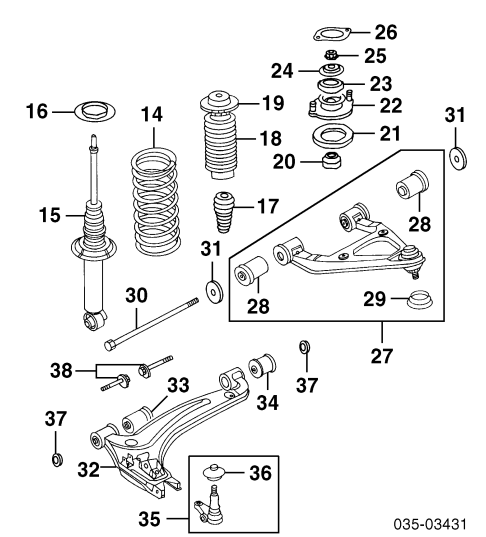


035-03060

- | | |
|---|----------------------|
| 1 Cap, Dust | R/L B455-26-071 |
| 2 Nut, Lock | R/L D06Y-33-042 |
| 3 Rotor, Brake | |
| 1999-00 | R/L N026-33-25XC |
| 2001-04 | |
| Std Susp | R/L N026-33-25XC |
| Sport Susp | R/L N06Y-33-25X |
| *Order by Application | |
| 4 Hub Assy | |
| w/ABS | R/L NA23-33-04XA |
| w/o ABS | R/L NA01-33-04X |
| 5 Bolt, Hub | R/L B455-33-062 |
| 6 Ring, Frt ABS Sensor | R/L NA23-33-471B |
| *Included w/Hub Assy | |
| 7 Sensor, Front ABS-See ABS/Brakes Section | |
| 8 Caliper Assy, Brake | |
| 1999-00 | R NAY5-33-98ZR |
| | L NAY5-33-99ZR |
| 2001-03 | |
| Std Susp | 01-02 R NAY5-33-98ZR |
| | L NAY5-33-99ZR |
| | 03 R NAZ5-33-98ZA |
| | L NAZ5-33-99ZA |
| Sport Susp | R N0Y7-33-98ZR |
| | L N0Y7-33-99ZR |
| 2004 | R NAZ5-33-98ZA |
| | L NAZ5-33-99ZA |
| 9 Support, Caliper | |
| 1999-00 | R NA75-33-281 |
| | L NA75-33-291 |
| 2001-03 | |
| Std Susp | R NA75-33-281 |
| | L NA75-33-291 |
| Sport Susp | R/L N067-33-281 |
| 2004 | R NA75-33-281 |
| | L NA75-33-291 |
| *Included w/Brake Caliper Assy | |
| 10 Pad Set, Brake | |
| 1999-00 | NAY5-33-23ZC |
| 2001 | |
| Std Susp | NAY5-33-23ZC |
| Sport Susp | N0Y9-33-23Z |
| 2002-03 | |
| Std Susp | N0Y3-33-28Z |
| Sport Susp | 02 N0Y7-33-28Z |
| | 03 N0Y9-33-23Z |
| | N0Y3-33-23Z |
| 2004 | |
| 11 Hose, Brake | |
| 1999-00 | R NA75-43-810A |
| | L NA75-43-820A |
| 2001-04 | |
| Std Susp | R NA75-43-810A |
| | L NA75-43-820A |
| Sport Susp | R N067-43-810 |
| | L N067-43-820 |

MAZDA MIATA 1999-04

12 Knuckle, Steering w/ABS 1999-00	R	NC14-33-021A		
	L	NC14-33-031A		
	2001-03	R	NE45-33-021	
		L	NE45-33-031	
	2004 To 10-1-03	R	NE45-33-021	
		L	NE45-33-031	
		R	NE45-33-021	
		L	NE45-33-031	
	w/o ABS 1999-03	R	N115-33-021	
		L	NC10-33-031A	
		2004 To 10-1-03	R	N115-33-021
			L	NC10-33-031A
From 10-1-03	R	N115-33-021		
	L	N115-33-031		



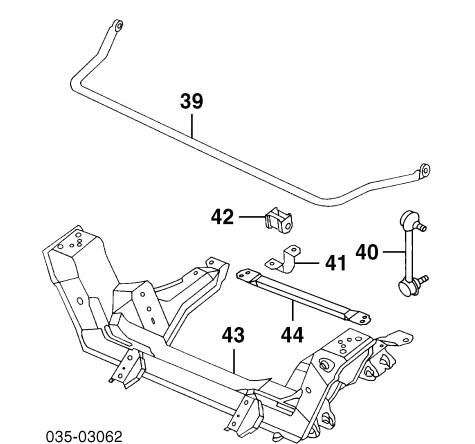
13 Shield, Splash 1999-00	R	NA75-33-261	
	L	NA75-33-271	
	2001 Std Susp	R	NA75-33-261
		L	NA75-33-271
	Sport Susp	R	N067-33-261A
		L	N067-33-271A
	2002-04 Std Susp	R	NC85-33-260A
		L	NC85-33-270A
		R	NC82-33-260A
		L	NC82-33-270A

14 Spring, Coil 1999-00	Std Susp	R/L	NC12-34-011B	
	Sport Susp	R/L	NC10-34-011C	
	2001-03 Std Susp	Man Trans	R/L	NC10-34-011C
		Auto Trans	R/L	N068-34-011A
	Sport Susp	Man Trans	R/L	NC10-34-011C
		Auto Trans	R/L	N068-34-011A
	2004 Std Susp	Man Trans	R/L	NE45-34-011A
		Auto Trans	R/L	N067-34-011A

15 Strut 1999-00	w/ABS	R/L	NC14-34-700C	
	w/o ABS	R/L	NC12-34-700D	
	Std Susp	Man Trans	R/L	N066-34-700
		Auto Trans	R/L	N068-34-700
	Sport Susp	Man Trans	R/L	N067-34-700
		Auto Trans	R/L	N067-34-700
	2001-03 Std Susp	Man Trans	R/L	N066-34-700
		Auto Trans	R/L	N068-34-700
	Sport Susp	Man Trans	R/L	NE10-34-700
		Auto Trans	R/L	NE02-34-700

16 Rubber, Mounting	R/L	NC10-28-0A3A
	R/L	NC10-34-111
	R/L	NC10-28-015A
	R/L	NC10-28-777
	R/L	NC10-28-776
	R/L	NC10-28-012B
	R/L	NC10-28-340C
	R/L	NC10-28-775
	R/L	NC10-28-774
	R/L	D061-28-7A1
	R/L	G030-28-013A
	R/L	G030-28-013A

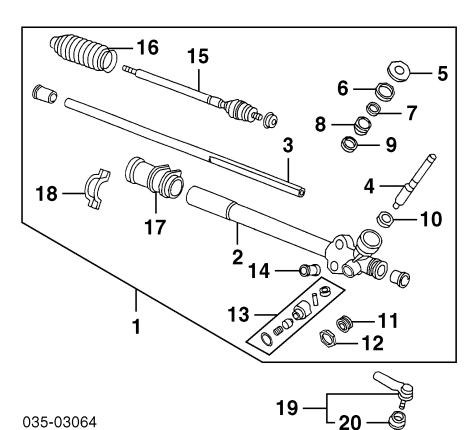
w/o ABS	01-04	R	N068-34-200	
	L	N068-34-250		
	99-00	R	NC10-34-200	
	L	NC10-34-250		
	01-04	R	N066-34-200	
	L	N068-34-250		
	28 Bushing, Upper Cont Arm	Front/Rear (2/Side)	R/L	NC10-34-480
		29 Seal, Dust	R/L	NA01-34-548
		*Included w/Upper Control Arm Assy		
		30 Bolt, Upper Arm	R/L	NA01-34-112
		31 Washer (2/Side)	R/L	NA01-34-117A
		32 Arm, Lower Control	R	N066-34-310
L		N066-34-360		
33 Bushing, Frt Lwr Cont Arm		R/L	NA01-34-460A	
34 Bushing, Rear Lwr Cont Arm		R/L	NA01-34-490	
35 Joint Assy, Lower Ball		R/L	NA01-34-550B	
36 Seal, Dust		R/L	H266-28-448	
*Included w/Lower Ball Joint Assy				
37 Plate, Cam (2/Side)	R/L	NA80-28-473A		
38 Bolt, Adjust (2/Side)	R/L	NA80-28-662D		



39 Bar, Stabilizer	w/Turbo	R/L	NE45-34-151	
	w/o Turbo	R/L	NC10-34-151B	
	40 Link, Stab Bar	R	NC10-34-150	
		L	NC10-34-170	
	R/L	FB01-34-155		
	41 Bracket, Stab Bar	R/L	NE45-34-156	
		w/o Turbo	R/L	NC10-34-156
	42 Bushing, Stab Bar	w/Turbo	R/L	NC72-34-800A
		w/o Turbo	R/L	NC72-34-800A
	43 Crossmember, Susp Bar, Crossmember	99-00	R/L	NC10-34-E91A
		01-04	R/L	N068-34-E90

FRONT STEERING LINKAGE/GEAR

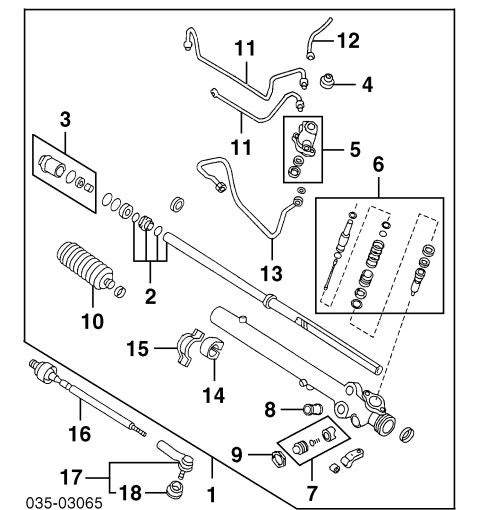
MANUAL



1 Gear Assy, Steering	NC11-32-110A	
	2 Housing, Gear	NC11-32-120
	3 Rack, Gear	NA01-32-119
	4 Pinion	NA01-32-122
	5 Cover, Lever	NC11-32-112
	6 Nut, Upper Lock	GJ21-32-137
	7 Seal, Shaft	GJ21-32-126
	8 Cover, Gear	GJ21-32-136
	9 Bearing, Upper	0259-32-182
	10 Bearing, Lower	G030-32-147
	11 Nut, Lower Lock	S083-32-137
	12 Plug, Pinion	HE01-32-129
13 Yoke Set, Support	GJ21-32-111	
14 Rubber, Mounting (2)	NC10-32-123	
15 Rod, Tie	R/L	NA01-32-240
16 Boot, Rack	R/L	NA01-32-12X
17 Bushing, Mounting	NC11-32-124	
18 Bracket, Mounting	NC10-32-134	

19 End Assy, Tie Rod	*Included w/Steering Gear Assy	
	R/L	8AN1-32-280
	R/L	B455-32-279
20 Seal, Dust	*Included w/Tie Rod End Assy	

POWER



1 Gear Assy, Steering	1999-03	NC10-32-110R-0H	
	2004	NE45-32-110A	
	w/Turbo	NC10-32-110J	
	w/o Turbo	N115-32-119	
	2 Rack, Gear	w/Turbo	NC10-32-119
		w/o Turbo	N115-32-119
	3 Holder, Gear	w/Turbo	N115-32-154
		w/o Turbo	NC10-32-154
	4 Cover, Lever	R/L	NC10-32-112
		R/L	NC10-32-126
	5 Housing, Pinion	99-03	NC10-32-126
		04	NC10-32-126A
6 Pinion Set	1999-00	NC10-32-380	
	To VIN 130784	NC10-32-380A	
	From VIN 130784	NC10-32-380A	
	2001-03	NC10-32-380A	
2004	R/L	NC10-32-380B	
	R/L	NC10-32-11XA	
7 Yoke Set, Support	R/L	NC10-32-123	
	R/L	B456-32-131	
8 Rubber, Mounting (2)	R/L	NC10-32-125	
	R/L	NC10-32-45X	
9 Nut, Lock	L	NC10-32-45Y	
	L	NC10-32-450	
10 Boot, Rack	R/L	NC10-32-460	
	R/L	NC10-32-124	
11 Pipe, Fluid	R/L	NC10-32-134	
	R/L	NC10-32-134	
12 Pipe, Upr Pressure	R/L	NC10-32-450	
	R/L	NC10-32-460	
13 Pipe, Lwr Pressure	R/L	NC10-32-124	
	R/L	NC10-32-134	
14 Bushing, Mounting	R/L	NC10-32-134	
	R/L	NC10-32-134	
15 Bracket, Mounting	R/L	NC10-32-134	
	R/L	NC10-32-134	
16 Rod, Tie	R/L	NC10-32-240A	
	L	NC10-32-250A	
17 End Assy, Tie Rod	R/L	8AN1-32-280	
	R/L	B455-32-279	
18 Seal, Dust	R/L	8AN1-32-280	
	R/L	B455-32-279	

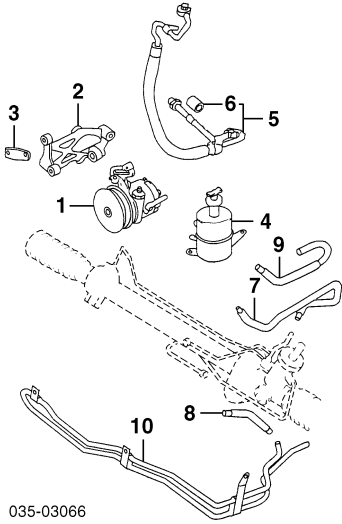
STEERING PUMP

Illustration Located in Next Column

1 Pump, Steering	1999-03	NC10-32-600R-0B	
	2004	NC10-32-600B	
	To 12-1-03	NC10-32-600C	
	From 12-1-03	NC10-32-600C	
	2 Bracket, Strg Pump	NA02-32-680	
		NC10-32-609	
	3 Brace, Strg Pump Belt, Drive	BPE8-15-909A	
		BPE8-15-909A	
	*Order by Application		
	4 Reservoir, Fluid	NC10-32-690C	
		NC10-32-690C	
	5 Hose Assy, Pressure	1999-00	NC10-32-490J
2001-03		N066-32-490	
2004		N066-32-490	
To 11-1-03		N066-32-490	
From 11-1-03	N115-32-490		
	BC1D-32-425		
6 Rubber, Mounting	*Included w/Pressure Hose Assy		
	NC10-32-682		
7 Hose, Upr Return	Man Trans	NC10-32-682	
	Auto Trans	NC13-32-682A	
8 Hose, Lwr Return	Man Trans	NC10-32-683	
	Auto Trans	NC10-32-688	
9 Hose, Suction	Man Trans	NC10-32-688	
	Auto Trans	NC10-32-688	
10 Pipe, Cooling	Man Trans	NC10-32-688	
	Auto Trans	NC10-32-688	

MAZDA MIATA 1999-04

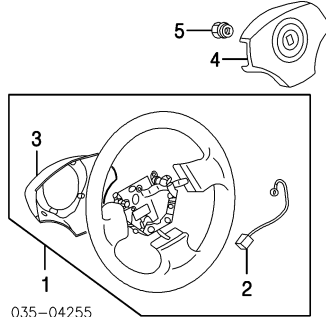
STEERING PUMP Cont'd



035-03066

w/Turbo
w/o Turbo

N115-32-470B
NC10-32-470A



035-04255

- 2001-03
Leather Wrapped Woodgrain
2004
w/Turbo
w/o Turbo
- 2 **Harness, Strg Wheel**
2001-03
Leather Wrapped Wheel
Woodgrain Wheel
2004-Serviced w/Steering Wheel Assy
- 3 **Cover, Wheel**
2001-03-Serviced w/Steering Wheel Assy
2004
- 4 **Module, Driver Air Bag-See Air Bag System Section**
- 5 **Nut, Strg Wheel**

B25H-32-980A
N066-32-980

B25E-32-9YX
NC10-32-9YX

N115-32-980
NE02-32-980

B25E-32-9YX
NC10-32-9YX

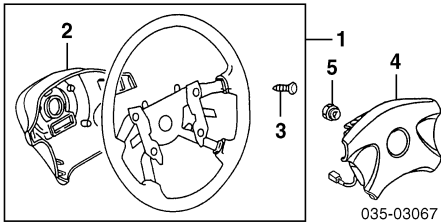
NE12-32-049

9994-81-200

STEERING WHEEL/COLUMN

COLUMN

WHEEL & TRIM 1999-00 URETHANE WHEEL



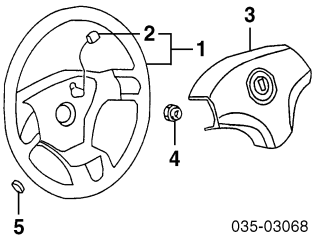
035-03067

- 1 **Wheel Assy, Steering**
- 2 **Cover, Wheel**
- 3 **Bolt, Wheel**
- 4 **Module, Driver Air Bag-See Air Bag System Section**
- 5 **Nut, Strg Wheel**

GE8K-32-980C
GE7T-32-049
GE7T-32-750

9994-81-200

WHEEL & TRIM 1999-00 LEATHER WRAPPED WHEEL



035-03068

- 1 **Wheel Assy, Steering**
Type A
Type B
- 2 **Harness, Strg Wheel**
- 3 **Module, Driver Air Bag-See Air Bag System Section**
- 4 **Nut, Strg Wheel**
- 5 **Cap, Cover**

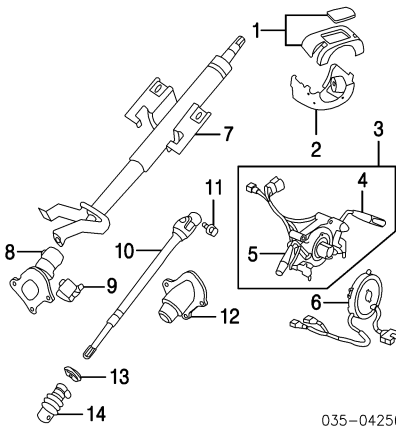
N065-32-980
NC10-32-980C
NC10-32-9YX

9994-81-200
BC1D-32-9L1

WHEEL & TRIM 2001-04

Illustration Located in Next Column

- 1 **Wheel Assy, Steering**



035-04256

- 1 **Cover, Upper Column**
- 2 **Cover, Lower Column**
- 3 **Switch Assy, Combination**
w/Cruise Control
w/o Cruise Control
- 4 **Switch, Wiper (a)**
1997-03
w/Cruise Control
w/o Cruise Control
2004
- 5 **Switch, Headlamp (a)**
(a) Included w/Combination Switch Assy
- 6 **Clockspring-See Air Bag System Section**
- 7 **Shaft, Upper**
- 8 **Cover, Uptr Joint**
- 9 **Cover, Lwr Joint**
- 10 **Shaft, Intermediate**
1999-00
Man Strg
Pwr Strg
2001-03
Man Trans
Auto Trans
2004
- 11 **Bolt, Shaft (3)**
- 12 **Cover, Lever**
- 13 **Grommet**
- 14 **Joint, Steering**

NC10-60-220
NC10-60-231A

NC11-66-120A
NC10-66-120A

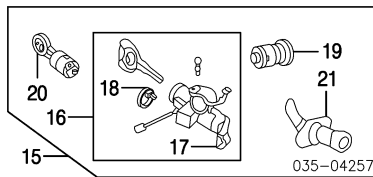
NC11-66-128
NC10-66-128
NC10-66-135
NC11-66-122

NC10-32-100D
NA75-32-AZ1
NA01-32-AZ2A

NC11-32-090D
NC10-32-090D

NC11-32-090D
NC10-32-090D
NC10-32-090D

B455-32-099A
NC10-32-210
NA01-32-217
NC10-32-850



035-04257

15 Lock Set, Complete

- 1999-00 (b)
Man Trans
Auto Trans
- 2001-02 (b)
Man Trans
w/Immobilizer
w/o Immobilizer
Auto Trans
w/Immobilizer
w/o Immobilizer
- 2003
Man Trans
Man Locks
w/Immobilizer
w/o Immobilizer
Pwr Locks
w/Immobilizer
w/o Immobilizer
Auto Trans
w/Immobilizer
w/o Immobilizer
- 2004
Man Trans
Man Locks
w/Immobilizer
w/o Immobilizer
Pwr Locks
w/Immobilizer
w/o Immobilizer
Auto Trans
w/Immobilizer
w/o Immobilizer

NC93-09-010D
NC13-09-010E

NCY3-76-29X
NCY0-76-290

NCY6-76-29X
NCY3-76-290

NC73-09-010A
NC75-09-010

NC72-09-010D
NC74-09-010

NC77-09-010D
NC81-09-010

NE02-09-010
NE04-09-010

NE01-09-010
NE03-09-010

NE07-09-010
NE08-09-010

16 Lock Assy, Ignition

- 1999-00
Man Trans
Auto Trans
- 2001-03
Man Trans
w/Immobilizer
w/o Immobilizer
Auto Trans
w/Immobilizer
w/o Immobilizer
- 2004
Man Trans
w/Immobilizer
w/o Immobilizer
Auto Trans
w/Immobilizer
w/o Immobilizer

NCY0-76-290
NCY3-76-290

NCY3-76-29X
NCY0-76-290

NCY6-76-29X
NCY3-76-290

NEY1-76-29X
NEY3-72-290

NEY7-76-29X
NY15-76-290

035-66-151

17 Switch, Ignition (a)

- 2001-03
Man Trans
Auto Trans
2004-Serviced w/Ignition Lock Assy

01-03 GG2A-66-938
01-03 GG2C-66-938

19 Cylinder, Glove Box

See Instrument Panel Section

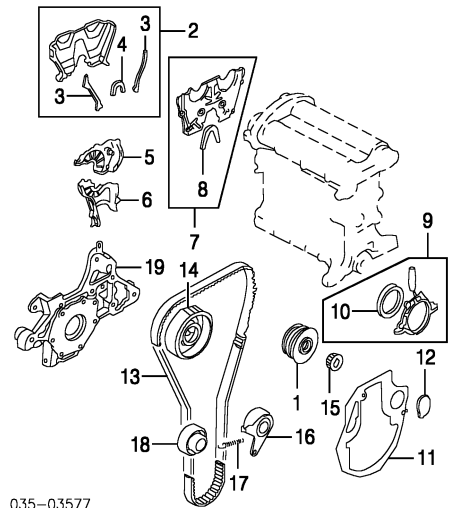
20 Cylinder, Door Lock

See Front Door Section

21 Cylinder, Luggage Lid Lock

See Luggage Lid Section

ENGINE/TRANS



035-03577

- 1 **Pulley, Crankshaft**
Hillsdale Brand
NOK Brand
- 2 **Cover Assy, Upper Timing**
1999-00
2001-03
2004
w/Turbo
w/o Turbo
- 3 **Gskt, Uptr Timing Cover**
Side
1999-00

BP4W-11-401
BPD4-11-401

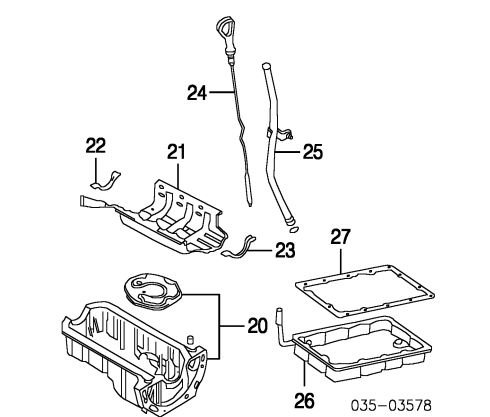
B61P-10-510
BP6D-10-511

B61P-10-510
BP6D-10-511

R B61P-10-514

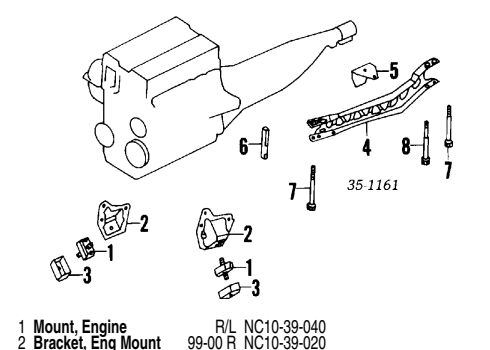
MAZDA MIATA 1999-04

- L B61P-10-512
2001-03-Serviced w/Upper Timing Cover Assy
2004 R B61P-10-514
L B61P-10-512
- 4 **Gskt, Upr Timing Cover**
Inner
1999-00 B61P-10-513
2001-03-Serviced w/Upper Timing Cover Assy
2004 B61P-10-513
†Included w/Upper Timing Cover Assy
- 5 **Cover, Center Timing** B660-10-521B
- 6 **Cover, Lower Timing** B660-10-501E
- 7 **Plate Assy, Upper Cover** 99-00 B61P-10-540C
01-04 BP6D-10-540
B61P-10-544
- 8 **Seal, Plate**
†Included w/Upper Cover Plate Assy
- 9 **Cover Assy, Rear** B366-11-310C
- 10 **Seal, Oil**
†Included w/Rear Cover Assy
- 11 **Plate, End**
Man Trans
w/Turbo BP8J-10-901
w/o Turbo B61P-10-901B
Auto Trans BP4X-10-901
- 12 **Cover, End Plate**
Auto Trans BP4X-10-903
- 13 **Belt, Timing** B6S7-12-205D-9U
- 14 **Sprocket, Camshaft** R BP6D-12-4XOC
L B6S7-12-425A
B3C7-11-321
- 15 **Sprocket, Crankshaft** B660-12-700F
- 16 **Tensioner, Timing Belt** B660-12-711C
- 17 **Spring, Tensioner** B660-12-730C
- 18 **Idler, Timing Belt** B660-12-730C
- 19 **Pump, Eng Oil** 99-03 BP4W-14-100A
04 BP6D-14-100



- 20 **Pan, Eng Oil**
1999-00 BPY0-10-400D
2001-03 BP6D-10-400A
2004
w/Turbo BP8J-10-400A
w/o Turbo BP6D-10-400A
- 21 **Plate, Baffle** 99-00 BP6E-10-40Y
01-04 BP6D-10-40Y
- 22 **Gasket, Frt Oil Pan** 99-00 B6F4-10-427
01-04 B541-10-427
- 23 **Gasket, Rear Oil Pan** 99-00 B6F4-10-428
01-04 B541-10-428
- 24 **Dipstick, Eng Oil**
1999-00 BP4Y-10-450A
w/Calif Emission
w/o Calif Emission BP4W-10-450
2001-04 BP4W-10-450
- 25 **Tube, Eng Dipstick**
1999-00 BP4Y-10-440A
w/Calif Emission
w/o Calif Emission BP4W-10-440A
2001-04 BP4W-10-440A
- 26 **Pan, Trans Oil** SB01-19-830
- 27 **Gasket, Trans Oil Pan** 99-03 SB01-19-0A2
04 BT24-19-835

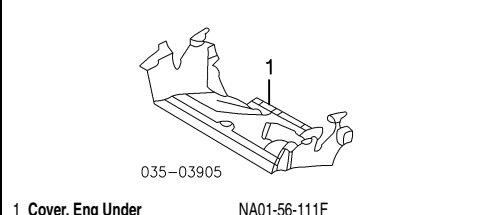
ENGINE/TRANS MOUNTS



- 1 **Mount, Engine** R/L NC10-39-040
- 2 **Bracket, Eng Mount** 99-00 R NC10-39-020

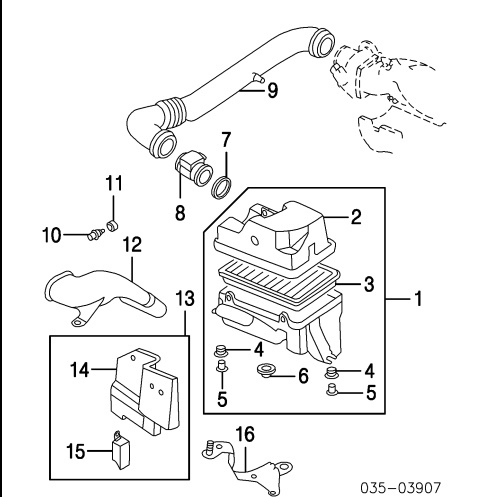
- L NA75-39-030
01-03 R N066-39-020
L N066-39-030
04 R N066-39-020
L N066-39-030
R/L NA01-39-041B
- 3 **Casing, Stopper** NC10-39-710B
NC13-39-710A
- 4 **Support, Trans**
Man Trans NA01-39-730A
Auto Trans NA01-39-723
- 5 **Bracket, Support**
Man Trans NA01-39-721A
Auto Trans NA01-39-722
- 6 **Spacer, Bolt**
- 7 **Bolt, Otr Support (3)**
- 8 **Bolt, Inr Support**

ENGINE UNDER COVER



- 1 **Cover, Eng Under** NA01-56-111F

AIR CLEANER

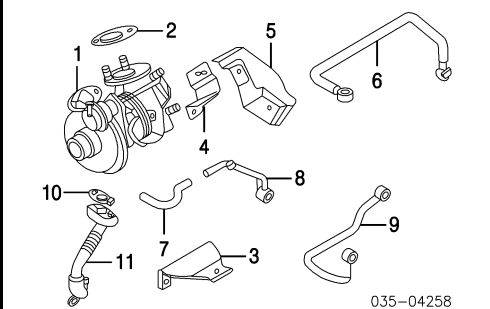


- 1 **Cleaner Assy, Air** 99-02 BP4W-13-320B
03-04 B6MW-13-320
BP4W-13-Z01A
- 2 **Cover, Air Cleaner**
†
- 3 **Element, Cleaner**
99-02 FS05-13-Z40-9U
03-04 FS05-13-Z40-9U
- 4 **Bushing, Mounting** (2) FE51-13-363
- 5 **Spacer, Mounting** (2) FE51-13-329
- 6 **Rubber, Mount** B61P-13-Z66
†Included w/Air Cleaner Assy
- 7 **Joint, Rubber** B578-13-245B
- 8 **Sensor, Air Flow** 99-00 FP39-13-215R-00
01-04 FS1E-13-215R-00
- 9 **Pipe, Air Intake** 99-00 BP4W-13-331B
01-04 BP6D-13-331
BP4W-18-845
KL47-13-375
- 10 **Sensor, Air Temp**
- 11 **Grommet** BP4W-13-200A
- 12 **Duct, Fresh Air**
1999-00 BP4W-13-200A
2001
To 12-16-00 BP6D-13-200
From 12-16-00 BP6F-13-200
2002-04 BP6F-13-200
- 13 **Bracket Assy, Air Pipe**
1999-00-Serviced by Components
2001-04 BP5A-20-650A
- 14 **Baffle, Air Intake (a)** BP4W-13-204A
- 15 **Relay (a)** 01-04 H310-67-740
(a) Included w/Air Pipe Bracket Assy
- 16 **Bracket, Air Cleaner** BP4W-20-210

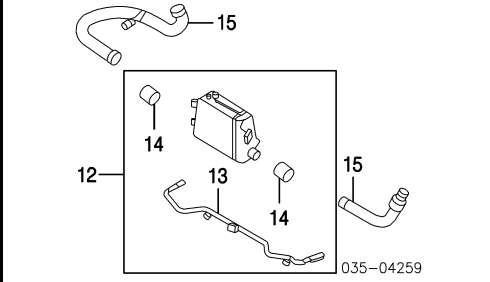
TURBOCHARGER/INTERCOOLER

Illustration Located in Next Column

- 1 **Turbocharger** BP8J-13-700C
- 2 **Gasket, Turbocharger** BP8J-13-710
- 3 **Bracket, Turbocharger Insulator, Heat** BP8J-13-520
- 4 **No. 1** BP8J-13-381A
- 5 **No. 2** BP8J-13-377
- 6 **Pipe, Oil** BP8J-14-270



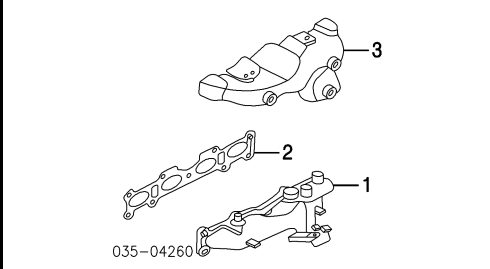
- 7 **Hose, Water** BP8J-13-546
- 8 **Connector, Water Hose** BP8J-13-590A
- 9 **Pipe, Water Inlet** BP8J-13-530A
- 10 **Gasket, Pipe** B6F4-14-293
- 11 **Pipe, Oil Outlet** BP8J-14-260



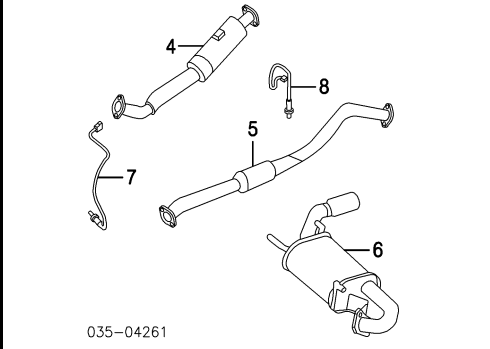
- 12 **Intercooler Assy** BP8J-13-560B
- 13 **Hose, Intercooler** BP8J-13-56XA
- 14 **Hose, Air** R/L BP8J-13-77X
†Included w/Intercooler Assy
- 15 **Pipe, Air** R BP8J-13-3D0B
L BP8J-13-330A

EXHAUST

W/TURBO 2004



- 1 **Manifold, Exhaust** BP8J-13-450A
- 2 **Gasket, Manifold**
To 12-1-03 BP05-13-460
From 12-1-03 BP8J-13-4M0
- 3 **Shield, Heat** BP8J-13-390



- 4 **Pipe w/Converter, Front** BPS7-20-50XA
- 5 **Pipe w/Silencer** BPS7-40-300A
- 6 **Muffler w/Pipe** BPS7-10-100A
- 7 **Sensor, Front Oxygen** BP8J-18-861
- 8 **Sensor, Rear Oxygen** BP8K-18-861

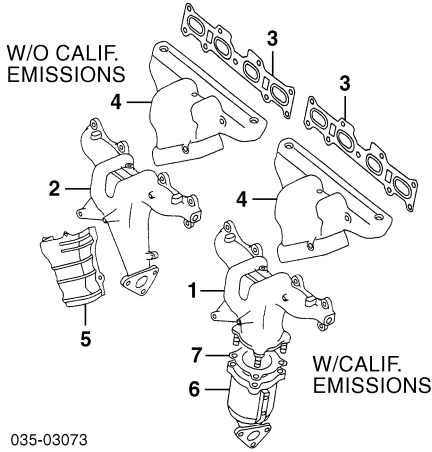
madpl1_g01_

Procedure Explanation Pages Must Be Used with the Above Text for an Accurate Damage Report.
Comments or suggestions? Need assistance? Call 1-800-854-7030 or 858-578-6550. Ext. 8220. Fax 1-888-256-7969 or 858-549-0629.

MAZDA MIATA 1999-04

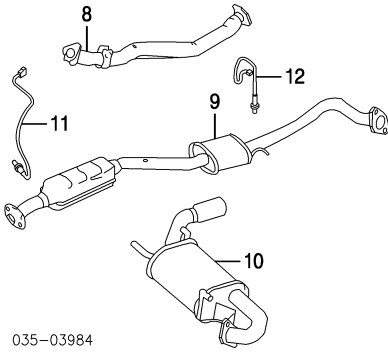
EXHAUST Cont'd

W/O TURBO 1999-00



035-03073

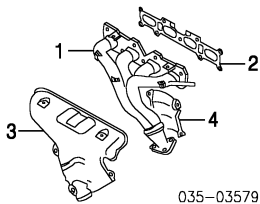
- | | |
|---|--------------|
| 1 Manifold, Exhaust
w/Calif Emission | BP4Y-13-450B |
| 2 w/o Calif Emission | BP4W-13-450 |
| 3 Gasket, Manifold | BPD3-13-460 |
| 4 Shield, Manifold Heat | BP4Y-13-390A |
| 5 Shield, Side
w/o Calif Emission | BP4W-13-390 |
| 6 Converter, Catalytic
w/Calif Emission | BP4Y-20-500C |
| 7 Gasket, Converter | BP4Y-20-520A |



035-03984

- | | |
|---|-----------------|
| 8 Pipe, Front Exhaust
Converter w/Pipe | BPM3-40-500F |
| 9 w/Calif Emission
Man Trans | BP4Y-20-55XH |
| Auto Trans | BP4Z-20-55XH |
| w/o Calif Emission
Man Trans | BP4W-20-55XK |
| Auto Trans | BP4X-20-55XK |
| †Includes Catalytic Converter | |
| 10 Muffler w/Pipe
Man Trans | BPM3-40-100G |
| Auto Trans | BPM1-40-100E |
| 11 Sensor, Front Oxygen | BP4X-18-861A-9U |
| 12 Sensor, Rear Oxygen
w/Calif Emission | BP4Y-18-861C-9U |
| w/o Calif Emission | BP3B-18-86Z-9U |

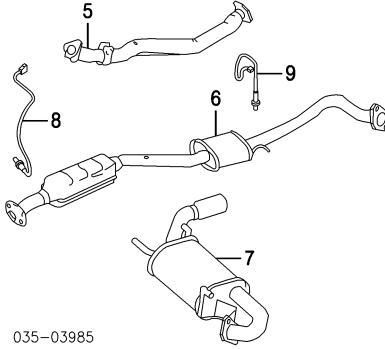
W/O TURBO 2001-04



035-03579

- | | |
|--------------------------------------|--------------|
| 1 Manifold, Exhaust | BP6F-13-450B |
| 2 Gasket, Manifold
1999-03 | BPD3-13-460 |
| 2004 | BP05-13-460 |
| To 12-1-03 | BP05-13-460 |
| From 12-1-03 | BP8J-13-4M0 |

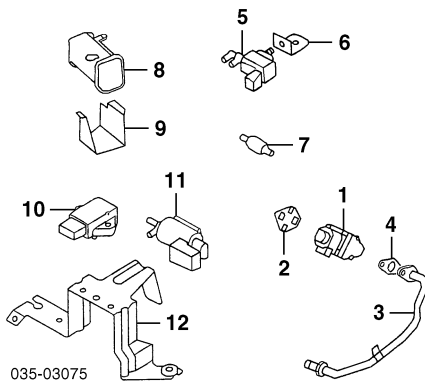
- | | |
|-----------------------------|--------------|
| 3 Shield, Front Heat | BP6F-13-390A |
| 4 Shield, Rear Heat | BP6F-13-380 |



035-03985

- | | |
|------------------------------------|--------------------|
| 5 Pipe, Front Exhaust | BPM3-40-500F |
| 6 Converter w/Pipe | 01-02 BP6F-20-55XC |
| | 03 BP7F-20-55X |
| | 04 BPS5-20-55X |
| 7 Muffler w/Pipe
1999-03 | BPP6-40-100C |
| Man Trans | BPM8-40-100G |
| Auto Trans | 01-02 BPM8-40-100G |
| | 03 BPM8-40-100G |
| 2004 | BPP6-40-100C |
| Man Trans | BPM8-40-100G |
| Auto Trans | BPM8-40-100H |
| To 10-1-03 | BP6F-18-861B-9U |
| From 10-1-03 | BP6G-18-861C-9U |
| 8 Sensor, Front Oxygen | |
| 9 Sensor, Rear Oxygen | |

EMISSION SYSTEM



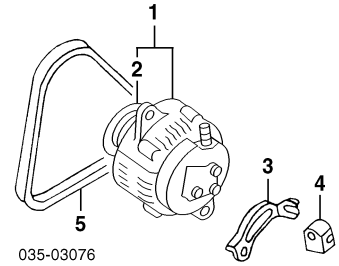
035-03075

- | | |
|--|-------------------|
| 1 Valve, EGR
1999-00 | BP4W-20-300A |
| 2001 | BP4W-20-300A |
| To 10-1-00 | BP6F-20-300 |
| From 10-1-00 | BP6F-20-300 |
| 2002-04 | JE27-20-305A |
| 2 Gasket, EGR Valve | |
| 3 Pipe, EGR
1999-00 | BP8J-20-31X |
| 2001-03 | BP6F-20-310A |
| 2004 | BP8J-20-31X |
| w/Turbo | BP6F-20-310A |
| w/o Turbo | JE06-20-306 |
| 4 Gasket, EGR Pipe | |
| 5 Valve, Solenoid
1999-00 | Z504-18-741A |
| To VIN 102379 | KL65-18-741 |
| From VIN 102379 | KL65-18-741 |
| 2001-04 | BP4W-18-837 |
| 6 Brkt, Solenoid Valve | HE41-13-995 |
| 7 Valve, Check | 99-00 BP4W-13-970 |
| 8 Canister, Vapor | 01-04 BP5R-13-970 |
| | 99-00 NC10-42-755 |
| | 01-04 NC10-42-79X |
| 9 Protector, Canister | |
| 10 Sensor, MAP | BP4W-18-211 |
| 11 Valve, Solenoid | BP4Y-18-741 |
| 12 Bracket, Valve | BP4W-18-28YB |
| Sensor, Front Oxygen-See Exhaust Section | |
| Sensor, Rear Oxygen-See Exhaust Section | |

ELECTRICAL

ALTERNATOR

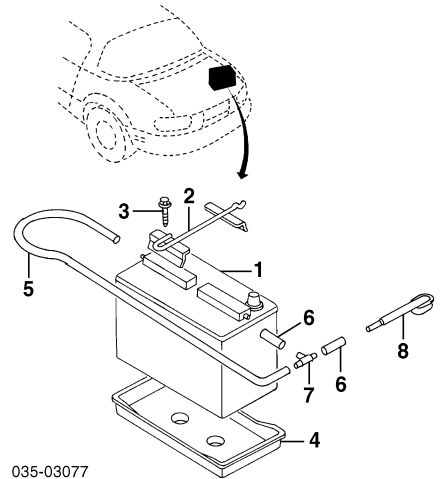
Illustration Located in Next Column



035-03076

- | | |
|------------------------------|--------------------|
| 1 Alternator Assy | 99-00 BP4W-18-300D |
| | 01-04 BP6D-18-300A |
| | B3D1-18-W10 |
| 2 Pulley, Alternator† | |
| †Included w/Alternator Assy | |
| 3 Bracket, Alternator | B6BF-18-361C |
| 4 Spacer, Bracket | FP01-18-363 |
| 5 Belt, Drive | B6BG-18-401A |
| Bando Brand | B6BF-18-381-9U |
| Gates Brand | |

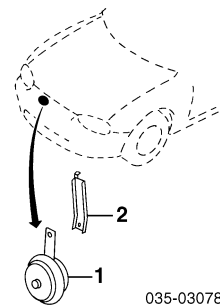
BATTERY



035-03077

- | | |
|------------------------------|--------------|
| 1 Battery | N.A. |
| 2 Clamp, Battery | NC10-56-03XB |
| 3 Bolt, Battery Clamp | 9079-61-840 |
| 4 Tray, Battery | NC10-56-041A |
| 5 Tube, Vent Hose | BP4W-18-524 |
| 6 Hose, Vent† | N.A. |
| †Cut to Fit | |
| 7 Joint | 0813-66-879 |
| 8 Connector, Tube | B61P-18-526 |

HORN



035-03078

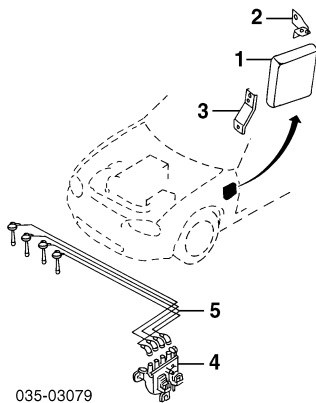
- | | |
|----------------------------|-------------|
| 1 Horn | N053-66-780 |
| High Note | |
| Low Note | |
| w/Turbo | B30E-66-790 |
| w/o Turbo | BG3F-66-790 |
| 2 Bracket, Horn (2) | |
| w/Turbo | NE45-66-7B1 |
| w/o Turbo | NC10-66-7B1 |

IGNITION

Illustration Located in Next Column

- | |
|--------------------------------|
| 1 Module, Main Computer |
|--------------------------------|

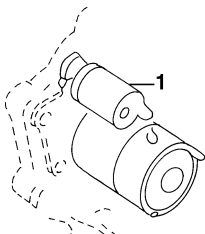
MAZDA MIATA 1999-04



035-03079

- 1999-00
w/Calif Emission
Man Trans BP4Y-18-881R-0C
Auto Trans BP4Z-18-881R-0C
- w/o Calif Emission
Man Trans BP4W-18-881R-0C
Auto Trans BP4X-18-881R-0C
- 2001-02
Man Trans BP6F-18-881R-0G
Auto Trans BP6H-18-881R-0G
- 2003
Man Trans
w/Immobilizer BP7F-18-881G
w/o Immobilizer BP7J-18-881A
Auto Trans BP7G-18-881G
- 2004
w/Turbo BP8J-18-881B
w/Calif Emission BP8K-18-881A
w/o Calif Emission
w/o Turbo
Man Trans BP7V-18-881D
w/Immobilizer BP7X-18-881D
w/o Immobilizer BP7W-18-881D
Auto Trans BP4W-18-882
BP4W-18-883
- 2 Bracket, Upr Module
- 3 Bracket, Lwr Module
- 4 Coil & Igniter
- 1999-00 BP4W-18-10XB
- 2001-04 (2) BP6D-18-100A
- 5 Wire Set, Ignition
- 1999-00 0000-18-121A
- 2001-04
No. 1 BP6D-18-140A
No. 2 BP6E-18-140A

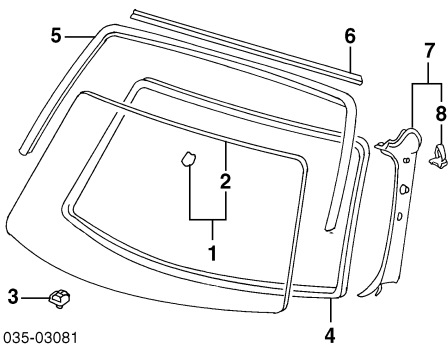
STARTER



035-03080

- 1 Starter BPD4-18-400R-00

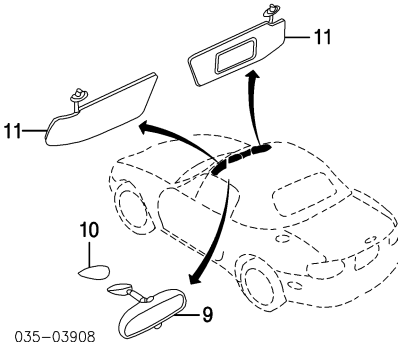
WINDSHIELD



035-03081

- 1 Glass Assy, Windshield
Mazda NC11-63-900A
- 2 Base, Rear View Mirror BC1C-69-240
‡Included w/Windshield Glass Assy

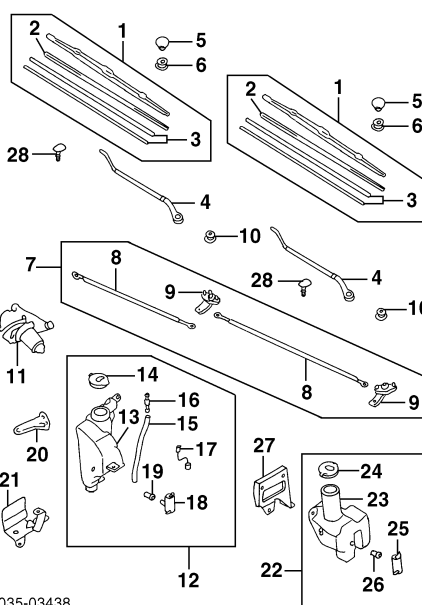
- 3 Spacer, Glass R/L E040-50-891
- 4 Dam, Windshield
3550mm NA01-50-894A
3960mm GA7B-50-899
- 5 Moulding, Reveal 99-03 NA01-50-601A
04 NC82-50-601
DX50-50-6B1
- 6 Protector, Moulding 99-02 R NC10-68-160A-02
L NC10-68-170A-02
- 7 Trim Assy, Pillar 03-04 R N077-68-160A-02
L N077-68-170A-02
R/L N077-68-160A-02
- 8 Clip, Trim ‡ (2/Side) R/L GJ12-68-865
‡Included w/Pillar Trim Assy



035-03908

- 9 Mirror, Rear View
w/Turbo NE45-69-22X-01
Gray NE45-69-22X-87
Red HG82-69-220A
w/o Turbo BC1C-69-240
- 10 Base, Rear View Mirror 99-03 R NC10-69-270B-02
L NC11-69-320B-02
- 11 Visor, Sun 04 R NC10-69-270B-02
L NE02-69-320-02

WIPER SYSTEM 1999-00

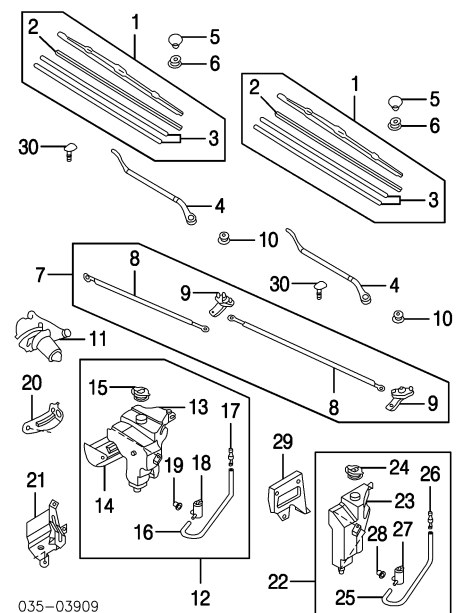


035-03438

- 1 Blade Assy, Wiper R NC11-67-330-9U
L NC10-67-330-9U
- 2 Insert, Wiper ‡ R/L B16B-67-333
- 3 Plate, Backing ‡ R NA10-67-332
L NC33-67-332
‡Included w/Wiper Blade Assy
- 4 Arm, Wiper R NC11-67-321
L NC10-67-321
- 5 Cover, Wiper Arm R/L LA01-67-395C
R/L 9090-10-801
- 6 Nut, Wiper Arm
- 7 Link Assy, Wiper To VIN 100063 NC10-67-360A
From VIN 100063 NC10-67-360B
- 8 Link, Wiper ‡ To VIN 100063 R NC10-67-361
L NC10-67-362
R NC10-67-361A
L NC10-67-362
R NC10-67-363A
L NC10-67-364A
‡Included w/Wiper Link Assy
- 9 Pivot, Wiper ‡
- 10 Nut, Wiper Link R/L 9994-00-601

- 11 Motor, Wiper w/Cold Climate Spec NA04-67-340D
w/o Cold Climate Spec NA01-67-340E
- 12 Tank Assy, Washer w/ABS NC14-67-480D
NC14-67-481A
- 13 Tank, Washer ‡ NC14-67-483
- 14 Cap, Tank ‡ GJ21-67-501B
- 15 Pipe, Nozzle ‡ NC17-67-502
- 16 Joint, Hose ‡ (2) DB05-67-502
- 17 Cord ‡ NC14-67-5D9A
- 18 Pump, Washer ‡ S084-76-672
- 19 Grommet, Pump ‡ S084-76-677
‡Included w/Washer Tank Assy w/ABS
- 20 Bracket, Upper Tank NC17-67-520B
- 21 Bracket, Lwr Tank NC18-67-520A
- 22 Tank Assy, Washer w/o ABS NA01-67-480B
NA01-67-481
- 23 Tank, Washer ‡ UB39-51-815
- 24 Cap, Tank ‡ S084-76-672
- 25 Pump, Washer ‡ S084-76-677
- 26 Grommet, Pump ‡ S084-76-677
‡Included w/Washer Tank Assy w/o ABS
- 27 Bracket, Tank NC10-67-521
- 28 Nozzle, Washer R NC10-67-510
L NC11-67-510

WIPER SYSTEM 2001-04



035-03909

- 1 Blade Assy, Wiper R NC11-67-330-9U
L NC10-67-330-9U
- 2 Insert, Wiper ‡ R/L B16B-67-333
- 3 Plate, Backing ‡ R NA10-67-332
L NC33-67-332
‡Included w/Wiper Blade Assy
- 4 Arm, Wiper R NC11-67-321
L NC10-67-321
- 5 Cover, Wiper Arm R/L LA01-67-395C
R/L 9090-10-801
- 6 Nut, Wiper Arm
- 7 Link Assy, Wiper NC10-67-360B
- 8 Link, Wiper ‡ R NC10-67-361A
L NC10-67-362
R NC10-67-363A
L NC10-67-364A
‡Included w/Wiper Link Assy
- 9 Pivot, Wiper ‡
- 10 Nut, Wiper Link R/L 9994-00-601
- 11 Motor, Wiper w/Cold Climate Spec NA04-67-340D
w/o Cold Climate Spec NA01-67-340E
- 12 Tank Assy, Washer Large NC79-67-480C
NC79-67-481A
- 13 Tank, Washer ‡ NC15-67-454A
- 14 Insulator, Tank ‡ GJ21-67-483
- 15 Cap, Tank ‡ NC79-67-501A
- 16 Pipe, Nozzle ‡ DB05-67-502
- 17 Joint, Hose ‡ (2) S084-76-672
- 18 Pump, Washer ‡ S084-76-677
- 19 Grommet, Pump ‡ S084-76-677
‡Included w/Washer Tank Assy
- 20 Bracket, Upper Tank NC17-67-520B
- 21 Bracket, Lwr Tank NC78-67-520
- 22 Tank Assy, Washer Standard w/ABS NC78-67-480D
w/o ABS NA01-67-480B
- 23 Tank, Washer ‡ w/ABS NC78-67-481A
w/o ABS NA01-67-481
- 24 Cap, Tank ‡ UB39-51-815
- 25 Pipe, Nozzle ‡ NC15-67-501
- 26 Joint, Hose ‡

MAZDA MIATA 1999-04

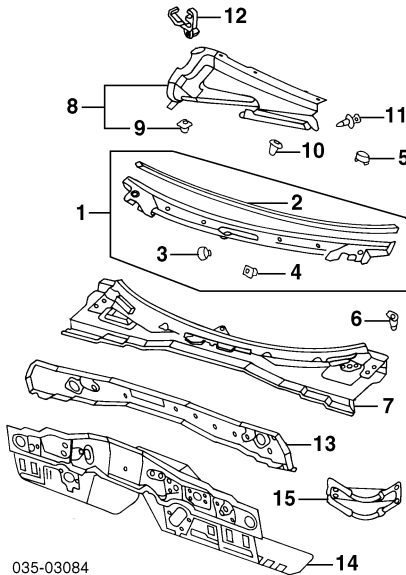
WINDSHIELD Cont'd

WIPER SYSTEM

2001-04 Cont'd

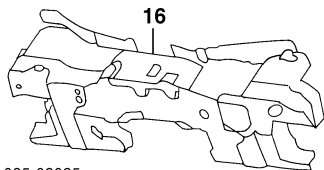
- w/ABS DB05-67-502
- 27 Pump, Washer S084-76-672
- 28 Grommet, Pump S084-76-677
- Included w/Washer Tank Assy*
- 29 Bracket, Tank NC78-67-520
- w/ABS NC10-67-520A
- w/o ABS R NC11-67-510
- 30 Nozzle, Washer L NC10-67-510

COWL & DASH



035-03084

- 1 Grille Assy, Cowl Top NA01-50-790E
- 2 Moulding, Grille NA01-50-792A
- 3 Cap, Center Grille (5) B455-50-796A
- 4 Grommet, Center (5) NA01-51-789
- Included w/Cowl Top Grille Assy*
- 5 Cap, Side Grille R/L NA01-50-797A
- 6 Grommet, Side R/L NA01-50-798
- 7 Panel, Cowl Top NC10-53-510A
- 8 Cover Assy, Cowl Panel NA01-56-35X
- 9 Grommet, Outer F044-51-912
- Included w/Cowl Panel Cover Assy*
- 10 Grommet, Inner (4) G211-56-355A
- 11 Fastener, Cowl Top (2) B040-68-865A-00
- 12 Clip, Hood Release Cable 99-00 H260-56-724
- 01-04 NC10-56-833
- 13 Panel, Upper Dash NA01-70-62YD
- 14 Panel, Lower Dash NC10-54-400B
- 15 Joint, Dash Panel R/L NA01-54-480B



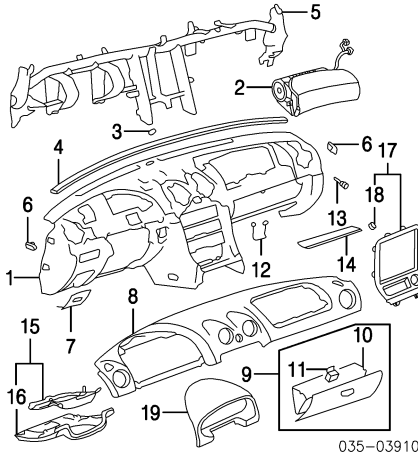
035-03085

- 16 Insulator, Dash
- 1999-00 NC10-68-63XE
- 2001-03 NC72-68-63XB
- 2004 NC72-68-63XB
- w/ A/C NC72-68-63XB
- w/o A/C NC82-68-63XB

INSTRUMENT PANEL

Illustration Located in Next Column

- 1 Panel, Instrument
- 1999-02 NC10-60-401C-02
- Black NC10-60-401C-21
- Black/Tan NC10-60-401D-02
- 2003-04 NC10-60-401D-02
- Black NC10-60-401D-02
- Black/Brown NC10-60-401D-80

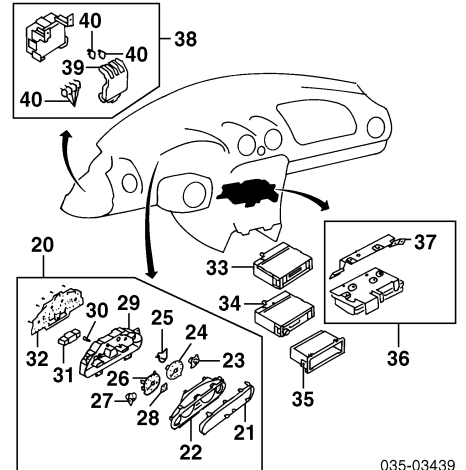


035-03910

- Black/Tan 03 NC10-60-401D-21
- 2 Module, Pass Air Bag-See Air Bag System Section NA01-64-905A-02
- 3 Cover, Center Hole NA75-60-353
- 4 Seal, Inst Panel 99-00 NC10-60-420G
- 5 Frame, Inst Panel 01-04 NC72-60-420B
- 6 Cover, Side (3/Side) NA01-64-912A-80
- Beige NA01-64-912A-02
- Black NA01-64-912A-21
- 7 Cover, Fuse Box NC10-55-551A-80
- Beige NC10-55-551A-02
- Black NC10-55-551-21
- Tan NC10-60-350
- 8 Pad, Inst Panel NC10-64-030H-80
- 9 Box Assy, Glove NC10-64-030H-02
- Beige NC10-64-030H-21
- Black NC10-64-161C
- Tan NC10-64-161C
- 10 Box, Glove NC10-64-090C-80
- 11 Lock, Glove Box NC10-64-090C-02
- Beige NC10-64-090C-21
- Black NC10-64-090C-21
- Tan NC10-64-090C-21
- Included w/Glove Box Assy*
- Cylinder, Glove Box 99-03 BG1N-76-250B
- 04 N1Y1-76-250
- Included w/Complete Lock Set-listed in Steering Wheel/Column Section*
- 12 Striker, Glove Box LB82-64-101
- 13 Cushion, Glove Box (3) LB82-64-046
- 14 Reinf, Glove Box 99-00 NC10-60-430A
- 01-04 N053-60-430A
- 15 Cover Assy, Lower NC10-64-280F-80
- Beige NC10-64-280F-02
- Black NC10-64-280F-21
- Tan NC10-64-280F-21
- 16 Cover, Lower 1999-02 N053-64-261B-02
- Black N053-64-261B-21
- Tan N053-64-261B-21
- 2003 N053-64-261B-80
- Beige N053-64-261B-02
- Black N053-64-261B-21
- Tan N053-64-261B-21
- 2004 NC10-64-261A-80
- Beige NC10-64-261A-02
- Black NC10-64-261A-02
- Included w/Lower Cover Assy*
- 17 Panel Assy, Center NC10-55-210B
- 1999-03 NC10-55-210B
- 2004 NE45-55-210
- w/Turbo NE01-55-210
- w/o Turbo J001-64-345
- 18 Spring, Center Pnl (4) J001-64-345
- Included w/Center Panel Assy*
- 19 Hood, Meter NC10-55-420B
- 1999-00 NC10-55-210B
- 2001-02 NC76-55-210
- Standard NC10-55-420B
- Woodgrain NC10-55-420B
- 2003-04 NC10-55-420B

Illustration Located in Next Column

- 20 Meter Assy 1999-00 NC10-55-430
- Man Trans NC65-55-430
- 5 Speed NC10-55-430
- 6 Speed NC10-55-430
- Auto Trans NC10-55-430
- 2001-04-Serviced by Components
- 21 Lens 1999-00 (a) NC10-55-447
- 2001-04 NC10-55-447
- 22 Plate, Window 1999-00 (a)

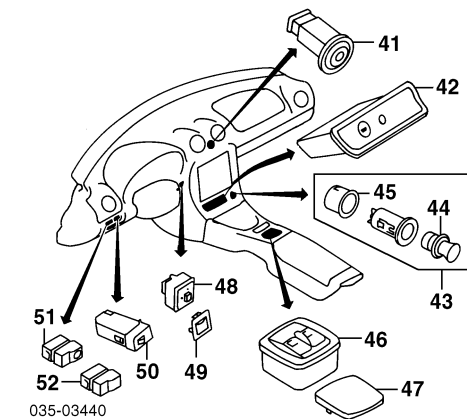


035-03439

- Man Trans
- 5 Speed NC10-55-446
- 6 Speed NC65-55-446
- Auto Trans NC10-55-446
- 2001-03 N066-55-446
- 2004 N067-55-446
- 23 Meter, Temperature 1999-00 (a) NC10-55-491
- Man Trans N053-55-491
- 5 Speed NC10-55-491
- 6 Speed N066-55-491
- Auto Trans N066-55-491
- 2001-03 N066-55-491
- 2004 NE01-55-491
- w/Turbo NE01-55-491
- w/o Turbo N066-55-491
- 24 Speedometer 1999-00 (a) NC10-55-471
- Man Trans NC65-55-471
- 5 Speed NC10-55-471
- 6 Speed NC72-55-471
- Auto Trans ND30-55-471
- 2001-02 NC10-55-471
- 2003 ND30-55-471
- 2004 NE01-55-471
- w/Turbo NE01-55-471
- w/o Turbo ND30-55-471
- Order by Application*
- 25 Meter, Oil Pressure 1999-00 (a) NC10-55-4A1
- Man Trans N053-55-4A1
- 5 Speed NC10-55-4A1
- 6 Speed N066-55-4A1
- Auto Trans N066-55-4A1
- 2001-03 N066-55-4A1
- 2004 NE01-55-4A1
- w/Turbo NE01-55-4A1
- w/o Turbo N066-55-4A1
- 26 Tachometer 1999-00 (a) NC10-55-461
- Man Trans NC65-55-461
- 5 Speed NC10-55-461
- 6 Speed NC72-55-461
- Auto Trans NC72-55-461
- 2001-03 NC72-55-461
- 2004 NE01-55-461
- w/Turbo NE01-55-461
- w/o Turbo NC72-55-461
- 27 Meter, Fuel 1999-00 (a) NC10-55-481
- Man Trans N053-55-481
- 5 Speed NC10-55-481
- 6 Speed N066-55-481
- Auto Trans N066-55-481
- 2001-03 N066-55-481
- 2004 NE01-55-481
- w/Turbo NE01-55-481
- w/o Turbo N066-55-481
- 28 Lens, Warning 1999-00 (a) NC10-55-445
- 2001-04 NC10-55-445
- 29 Case, Meter 1999-00 (a) NC10-55-441
- 2001-04 NC10-55-441
- 30 Knob, Tripmeter 1999-00 (a) NC10-55-473
- 2001-04 NC10-55-473
- 31 Meter Set, Display 1999-00 (a) NC72-55-476
- 2001-02 NC72-55-476
- 2003-04 ND30-55-476
- 32 Plate, Printed Circuit 1999-00 (a) NC10-55-442
- 2001-02 NC11-55-442
- 2003-04 ND30-55-442
- (a) Included w/Meter Assy*
- 33 Radio 1999-00 NC15-79-9D0-US
- 2001-03 NC22-66-9R0
- w/ABS NC72-66-AS0
- w/o ABS NC72-66-AS0

MAZDA MIATA 1999-04

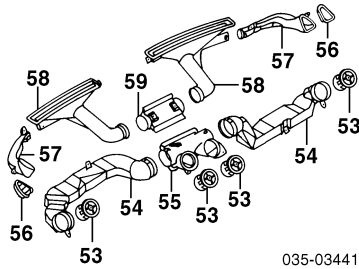
2004 w/CD Changer w/o CD Changer *Order by Application	NE04-66-9RX NE03-66-9R0
34 Player, CD 1999-00 w/Pwr Amplifier w/o Pwr Amplifier 2001-02 2003-04	0000-81-1066 GD7C-66-9R0 NC75-66-9R0 GK1R-66-AG0
35 Pocket, Radio 99-03 04	B02A-66-9MOA B03A-66-9M0
36 Amplifier Assy, Power 1999-00 2001-03 2004 To 1-1-04 From 1-1-04	NC10-66-92ZA NC10-66-92ZB NE03-66-92X NE03-66-92XA
37 Brkt, Amplifier *Included w/Power Amplifier Assy	NC10-66-9B1
38 Block Assy, Fuse 1999-00 2001-03 2004 w/Turbo w/o Turbo	NC10-66-730B NC72-66-730A NE45-66-730 NC72-66-730A
39 Cover, Fuse Block 1999-00 2001-04	NC10-66-731A NC72-66-731A
40 Fuse (a) *Included w/Fuse Block Assy (a) Order by Application	0000-11-0210



41 Switch, Hazard NC10-66-4H0	NC10-66-4H0
42 Switch, Air Bag Off 99-00 01-04	NC10-66-6H0B NC72-66-6H0
43 Lighter Assy, Cigarette 99-00 01-04	G13H-66-250 F146-66-250
44 Plug, Cigarette Lighter 1999-00 2001-04-Serviced w/Cigarette Lighter Assy	C001-66-252 B001-66-251 N066-66-251
45 Ring, Illumination 99-00 01-04 *Included w/Cigarette Lighter Assy	B001-66-251 N066-66-251
46 Switch, Pwr Window Beige Black Tan	03-04 NC72-66-350-80 99-00 NC11-66-350B-02 01-04 NC72-66-350-02 99-00 NC11-66-350B-21 01-03 NC72-66-350-21
47 Cover, Switch Hole 1999 Black Tan To VIN 121495 From VIN 121495 To VIN 121495 From VIN 121495 2000 Black Tan	NC10-55-225B-02 NC10-55-225C-02 NC10-55-225B-21 NC10-55-225C-21 NC10-55-225C-02 NC10-55-225C-21 GJ84-66-600A D002-55-225
48 Switch, Pwr Mirror 99-03 04	BR70-55-490 NC72-66-6R0
49 Cover, Switch Hole 99-03 04	BR70-55-490 NC72-66-6R0
50 Resistor, Light 99-03 04	BR70-55-490 NC72-66-6R0
51 Switch, Cruise Control 99-03 04	BR70-55-490 NC72-66-6R0
52 Cover, Switch Hole w/Cruise Control w/o Cruise Control	B481-55-225 NC73-66-4B0 NC73-66-4B0

Illustration Located in Next Column

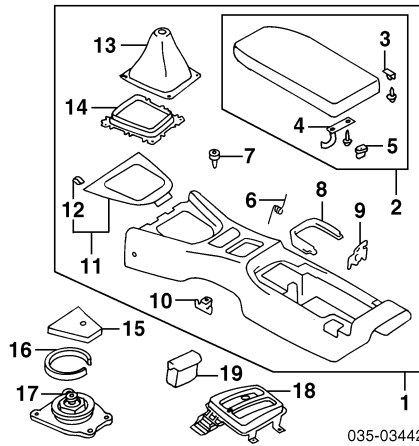
53 Nozzle, Vent (4) 99-03 04	NA01-64-81XC-00 NE01-64-81X
54 Duct, Front Outer R L	NC10-64-741A NC10-64-841A
55 Duct, Front Center R	NC10-64-941 NC10-60-160
56 Grille, Side Defrost L	NC10-60-170



57 Duct, Side Defrost R L	NC10-60-181A NC10-60-191A
58 Nozzle, Defrost R L	NA75-60-121B NA01-60-141
59 Connector, Defrost L	NC10-60-122A

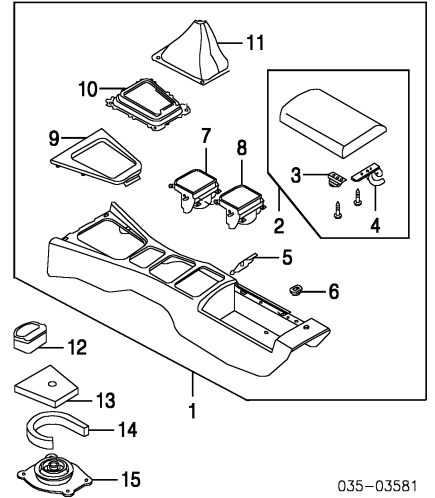
CENTER CONSOLE

1999-00



1 Console Assy Man Trans 5 Speed Black Tan 6 Speed Black Tan Auto Trans Black Tan	NC10-64-420M-02 NC10-64-420M-21 NC65-64-420-02 NC65-64-420-21 NC13-64-420L-02 NC13-64-420L-21
2 Lid Assy, Console Black Tan	NC10-64-450E-02 NC10-64-450E-21
3 Lock, Lid (a)	NC10-64-453
4 Stopper, Lid (a)	NC10-64-452B
5 Protector (a) (a) Included w/Console Lid Assy	NC10-64-357A
6 Spring, Lid 7 Cushion, Lid 8 Holder, Cup 9 Cover, Lever 10 Plate, Console Lid 11 Plate Assy, Control Man Trans 5 Speed 6 Speed Auto Trans	GE4T-64-394 B092-64-046 NC10-64-39X NA01-64-424A NC10-64-433 NC10-64-470A NC65-64-470 NC10-64-470A J001-64-345
12 Spring, Plate (a) (2) (a) Included w/Control Plate Assy	
13 Boot, Shift Man Trans 5 Speed 6 Speed	NC10-64-331A NC65-64-330
14 Plate, Boot Man Trans 5 Speed 6 Speed-Serviced w/Shift Boot *Included w/Console Assy	NC10-64-334
15 Pad, Shift Boot Man Trans	FB01-64-495
16 Gasket, Boot Plate Man Trans	H001-64-493
17 Insulator, Boot Plate Man Trans	NA01-64-481B
18 Indicator, Shift Auto Trans	NC13-64-350D
19 Ashtray Black Tan	NC10-64-610A-03 NC10-64-610A-21

2001-04



1 Console Assy 2001 Man Trans Black Tan Auto Trans Black Tan 2002 Man Trans Std Panel Black Tan Woodgrain Panel Auto Trans Black Tan 2003 Man Trans Beige Black Tan Auto Trans Beige Black Tan 2004 Man Trans w/Turbo Beige Black w/o Turbo Beige Black Auto Trans Beige Black Tan	NC72-64-420H-02 NC72-64-420H-21 NC77-64-420C-02 NC77-64-420C-21 NC72-64-420H-02 NC72-64-420H-21 NC76-64-420D-21 NC72-64-420H-02 NC72-64-420H-21 NC72-64-420G-80 NC72-64-420H-02 NC72-64-420H-21 NC77-64-420G-80 NC77-64-420H-02 NC77-64-420H-21 NE45-64-420-80 NE45-64-420-02 NE01-64-420-80 NE01-64-420-02 NE07-64-420-80 NE07-64-420-02
2 Lid Assy, Console Beige Black Tan	NC72-64-450E-80 NC72-64-450E-02 NC72-64-450E-21
3 Lock, Lid (a) Beige Black Tan	NC72-64-453B-80 NC72-64-453B-02 NC72-64-453A-21
4 Stopper, Lid (a) Beige Black Tan	N066-64-452-80 N066-64-452-02 N066-64-452-21
5 Cover, Lever (a) Included w/Console Lid Assy	01 NA01-64-424A 02-04 N066-64-424
6 Cover, Rear Console Hole Beige Black Tan	N066-64-48X-80 N066-64-48X-02 N066-64-48X-21
7 Holder, Front Cup Beige Black Tan	N067-64-39XB-80 N067-64-39XB-02 N067-64-39XB-21
8 Holder, Rear Cup Beige Black Tan	N066-64-39XC-80 N066-64-39XC-02 N066-64-39XC-21
9 Plate, Control 2001-03 Std Panel Woodgrain Panel 2004 w/Turbo w/o Turbo	NC10-64-470A NC76-64-470 NE45-64-470 NE01-64-470
10 Plate, Boot Man Trans	NC10-64-334
11 Boot, Shift Man Trans Std Panel Woodgrain Panel	NC10-64-331A NC76-64-331

madpl1_g01_

Procedure Explanation Pages Must Be Used with the Above Text for an Accurate Damage Report.
Comments or suggestions? Need assistance? Call 1-800-854-7030 or 858-578-6550. Ext. 8220. Fax 1-888-256-7969 or 858-549-0629.

245

MAZDA MIATA 1999-04

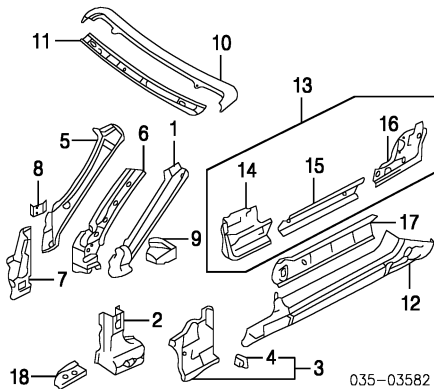
CENTER CONSOLE Cont'd

2001-04 Cont'd

- 12 Ashtray
N066-64-610B
- 13 Pad, Shift Boot
Man Trans FB01-64-495
- 14 Gasket, Boot Plate
Man Trans H001-64-493
- 15 Insulator, Boot Plate
Man Trans NA01-64-481B

ROCKER/PILLARS/FLOOR

SHEET METAL

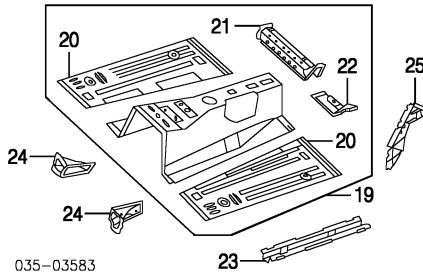


- 1 Pillar, Otr Up Hinge
R N067-70-210
L N067-71-210
- 2 Reinf, Hinge Pillar
R N067-70-280A
L N067-71-280A
- 3 Panel Assy, Cowl Side
99-00 R NC10-70-020
L NC10-71-020
01-04 R N067-70-020
L N067-71-020
R/L B092-70-070A
- 4 Bracket, Fender
Incl'd w/Cowl Side Panel Assy
- 5 Pillar, Inr Up Hinge
99-03 R NC10-70-240A
L NC10-71-240A
04 R NC10-70-240B
L NC10-71-240B
- 6 Pillar, Otr Up Hinge
R N067-70-244
L N067-71-244
- 7 Pillar, Inr Lwr Hinge
R NA01-70-230C
L NA01-71-230C
- 8 Plate, Nut
R NC10-70-20YB
L NC10-71-20YB
- 9 Brkt, Inst Panel
R NA01-70-071A
L NA01-71-071A
- 10 Header, Front Upper
NA01-70-650
- 11 Header, Front Lower
NB38-70-640A
- 12 Panel, Outer Rocker
R NC10-70-270D
L NC10-71-270D

035-03582

Illustration Located in Next Column

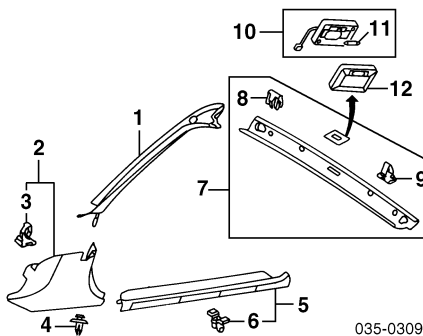
- 19 Pan Assy, Front Floor
1999-00
To VIN 109481 NC12-53-600C
From VIN 109481 NC12-53-600E
2001-03 NC72-53-600
2004 NC72-53-600A
- 20 Pan, Floor Side
1999-00 R NA01-53-602B



035-03583

- L NA01-54-610C
2001-04-Serviced w/Front Floor Pan Assy
- 21 Crossmember (a)
R NA01-53-650A
L NA01-54-650A
- 22 Bracket, Seat (a)
R NA01-53-670A
L NA01-54-670A
- (a) Incl'd w/Front Floor Pan Assy
- 23 Extension, Floor Side
99-00 R/L N053-53-660A
01-04 R N067-53-660A
L N067-54-660A
- 24 Bracket, Front Floor
99-00 R NC10-53-482A
L NC10-54-482A
01-04 R NC10-53-482B
L NC10-54-482B
- 25 Gusset, Front Floor
R NA01-53-725A
L NA01-54-725A

INTERIOR TRIM



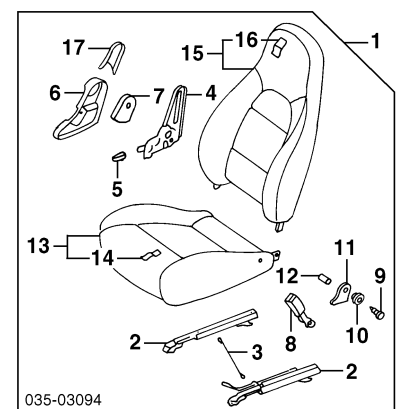
035-03093

- 1 Trim Assy, Pillar-See Windshield Section
- 2 Trim Assy, Cowl Side Panel
Beige R NC10-68-370A-80
L NC10-68-390A-80
Black R NC10-68-370A-02
L NC10-68-390A-02
Tan R NC10-68-370A-21
L NC10-68-390A-21
- 3 Clip, Cowl Trim
R/L GJ12-68-865
Incl'd w/Cowl Side Panel Trim Assy
- 4 Fastener, Cowl Trim
Beige R/L GJ21-68-885B-80
Black R/L GJ21-68-885B-02
Tan R/L GJ21-68-885B-21
- 5 Plate Assy, Scuff
1999-00
Man Trans
5 Speed
Black R NC10-68-710D-02
L NC10-68-720D-02
Tan R NC10-68-710D-21
L NC10-68-720D-21
6 Speed
Black R NC65-68-710B-02
L NC65-68-720B-02
Tan R NC65-68-710B-21
L NC65-68-720B-21
Auto Trans
Black R NC10-68-710D-02
L NC10-68-720D-02
Tan R/L NC10-68-710D-21
L NC10-68-720D-21
2001
Black R NC10-68-710D-02
L NC10-68-720D-02
Tan R NC10-68-710D-21
L NC10-68-720D-21
2002
Plastic
Black R NC10-68-710D-02
L NC10-68-720D-02
Tan R NC10-68-710D-21
L NC10-68-720D-21
Stainless Steel
Black R NC65-68-710B-02
L NC65-68-720B-02
Tan R NC65-68-710B-21
L NC65-68-720B-21
2003-04
Plastic
Beige R NC10-68-710D-80

- Black L NC10-68-720D-80
R NC10-68-710D-02
L NC10-68-720D-02
- Stainless Steel
- Beige R NC75-68-710-80
L NC75-68-720-80
R NC75-68-710-02
L NC75-68-720-02
- Black

- 6 Clip, Scuff Plate
(4/Side) R/L B456-68-712
Incl'd w/Scuff Plate Assy
- 7 Trim Assy, Front Header
NA01-68-090E
- 8 Clip, Outer Header Trim
R/L B455-68-AD2
- 9 Clip, Inner Header Trim
R/L GJ21-68-865
Incl'd w/Front Header Trim Assy
- 10 Lamp Assy, Interior
NB38-51-310C
- 11 Bulb (a)
9970-05-080L
(a) Incl'd w/Interior Lamp Assy
- 12 Lens, Lamp
NB38-51-311A
Incl'd w/Front Header Trim Assy

SEAT



035-03094

- 1 Seat Assy, Front
1999-00
Black R NC10-57-100D-02
L NC10-57-150D-02
Blue R NC65-57-100-55
L NC65-57-150-55
Tan R NC11-57-100F-21
L NC11-57-150F-21
2001-04-Serviced by Components
- 2 Adjuster, Seat Track
1999-00 (a)
Passenger Side R NA01-88-102A
L NA01-88-103A
Driver Side R NC10-88-152
L NA01-88-153A
2001-02
Passenger Side R N066-88-102
L NC72-88-103
Driver Side R N066-88-152
L N066-88-153
2003-04
Passenger Side R N066-88-102
L NC72-88-103
Driver Side R N066-88-152
L N066-88-153
- 3 Wire, Release
1999-00 (a)
R NA01-88-106
L NA01-88-156
2001-04
R NA01-88-106
L NA01-88-156
- 4 Knuckle, Reclining
1999-02 (a)
R NA01-88-101C
L NA01-88-151C
2001-03
R N066-88-101
L N066-88-155
2004
R N066-88-101A
L N066-88-155A
- 5 Knob, Knuckle
1999-00 (a)
Black R/L NA01-88-084-00
Tan R/L NA01-88-084-21
2001-02
Black R N066-88-1G5-02
L N066-88-1H5-02
Tan R N066-88-1G5-21
L N066-88-1H5-21
2003-04
Beige R N066-88-1G5-80
L N066-88-1H5-80
Black R N066-88-1G5-02
L N066-88-1H5-02
- 6 Cover, Knuckle
1999-00 (a)
Black R NA01-88-031A-00
L NA01-88-081A-00
Tan R/L NA01-88-081-21
2001-04
Beige 03-04 R N066-88-1G1-80
L N066-88-1H3-80
Black R N066-88-1G1-02
L N066-88-1H3-02

Tan	01-02 R	N066-88-1G1-21 L N066-88-1H3-21
7 Protector, Seat Belt		
1999-00 (a)	R	NA01-88-033 L NA01-88-083
2001-04		
Beige	03-04 R	N066-88-035-80 L N066-88-085-80
Black	R	N066-88-035-02 L N066-88-085-02
Tan	01-02 R	N066-88-035-21 L N066-88-085-21
8 Buckle, Seat Belt		
1999-00 (a)	R/L	NC10-57-620-00
2001-04	R	N066-57-680A-00 L N066-57-620B-00
9 Bolt, Hinge		
1999-00 (a)	R/L	D201-88-063
2001-04	R/L	D201-88-063
10 Lever, Release		
1999-00 (a)	R/L	NA75-88-108
2001-04	R/L	NA75-88-108
11 Cover, Hinge (a)		
1999-00		
Black	R	NA01-88-035-00 L NA01-88-085-00
Tan	R	NA01-88-035-21 L NA01-88-085-21
12 Cushion, Hinge (a)	99-00 R/L	NC10-88-049
13 Cushion Assy, Front Seat		
1999-00 (a)		
Black	R	NC10-88-110A-02 L NC10-88-160A-02
Blue	R	N065-88-110-55 L N065-88-160-55
Tan	R	NC11-88-110A-21 L NC11-88-160A-21
2001-02		
Black	R	N066-88-110A-02 L N077-88-160-02
Tan	R	N068-88-110-21 L N068-88-160A-21
2003¶		
Type 1	R	ND33-88-110-02 L N068-88-160A-02
Type 2	R	ND30-88-110-02 L N077-88-160-02
2004¶	R	NE02-88-110-02 L NE02-88-160-02
14 Trim, Seat Cushion		
1999-00 (a) (b)		
Black	R	NC10-88-111A-02 L NC10-88-161A-02
Blue	R	N065-88-111-55 L N065-88-161-55
Tan	R	NC11-88-111A-21 L NC11-88-161A-21
2001-02 (b)		
Black	R	N066-88-111A-02 L N066-88-161A-02
Tan	R	N068-88-110-21 L N068-88-160A-21
2003¶		
Type 1	R	ND33-88-111-02 L N068-88-161A-02
Type 2	R	ND30-88-111-02 L N066-88-161A-02
2004¶	R	NE02-88-111-02 L NE02-88-161-02
(b) Included w/Front Seat Cushion Assy		
15 Back Assy, Seat		
1999-00 (a)		
Black	R	NC10-88-130-02 L NC10-88-180-02
Blue	R	NC65-88-130-55 L NC65-88-180-55
Tan	R	NC11-88-130B-21 L NC11-88-180B-21
2001-02		
Black	R	NC72-88-130-02 L NC72-88-180-02
Tan	R	NC73-88-130-21 L NC73-88-180-21
2003-04¶		
Type 1	R	ND33-88-130-02 L NC73-88-180-02
Type 2	R	ND30-88-130-02 L NC72-88-180-02
¶Black listed, Order by Application		
(b) Included w/Seat Back Assy		
17 Cover, Seat Back (a)		
1999-00		
Black	R	NA01-88-036-00 L NA01-88-086-00

Tan R NA01-88-036-21
L NA01-88-086-21
(a) Included w/Front Seat Assy

SEAT BELTS

035-03095

1 Belt, Front Seat

Beige	03-04 R	NC72-57-L30A-80 L N066-57-L30D-80
Black	99-00 R	NC10-57-630F-00 L NC10-57-690E-00
	01-04 R	NC72-57-L30E-00 L N066-57-L30D-00
Tan	99-00 R	NC10-57-630F-21 L NC10-57-690E-21
	01-02 R	NC72-57-L30E-21 L N066-57-L30D-21

2 Buckle, Seat Belt-See Seat Section

3 Cover, Anchor

Beige	R/L	NC10-57-631A-80
Black	R/L	NC10-57-631A-02
Tan	R/L	NC10-57-631A-21

¶Included w/Front Seat Assy

FRONT DOOR

SHEET METAL

035-02752

1 Shell Assy, Door

1999-00	R	NCY0-58-02XK L NCY0-59-02XK
2001-03	R	NCY2-58-02XE L NCY2-59-02XD
2004		
To 10-1-03	R	NCY2-58-02XE L NCY2-59-02XD
From 10-1-03	R	NCY2-58-02XE L NCY2-59-02XE

2 Panel, Door Repair¶

	R	NC10-58-030F L NC10-59-030F
--	---	--------------------------------

¶Included w/Door Shell Assy

EXTERIOR TRIM

Illustration Located in Next Column

1 Moulding Assy, Outer Belt

	R	NA01-58-810E L NA01-59-810E
--	---	--------------------------------

2 Fastener, W/Strip¶

(2/Side)	R/L	9926-40-531B
----------	-----	--------------

Clip, W/Strip¶

Front (2/Side)	R/L	NA01-58-815
Rear	R/L	B157-58-815

¶Included w/Outer Belt Moulding Assy

5 Mirror Assy, Rear View

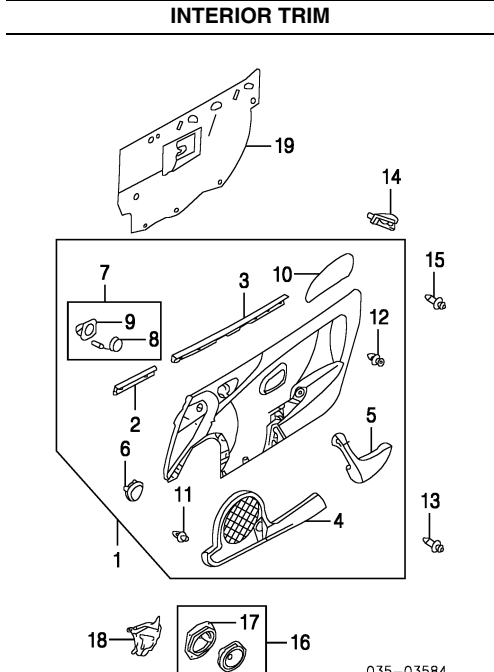
1999-00		
Manual		
Black (Code A3F)	R	NC10-69-120F-PZ L NC10-69-180F-PZ
Blue (Code 20P)	R	NC10-69-120F-40

035-04262

Code 12K	L NC10-69-180E-40 R NC10-69-120F-57
Green (Code 18J)	L NC10-69-180F-57 R NC10-69-120F-46
Orange (Code 18K)	L NC10-69-180F-46 R NC10-69-120E-56
Red (Code 23E)	L NC10-69-180E-56 R NC10-69-120F-SU
Silver (Code 18G)	L NC10-69-180F-SU R NC10-69-120F-92
White (Code PT)	L NC10-69-180F-92 R NC10-69-120E-PT
Power	
Black (Code A3F)	R NC11-69-120F-PZ L NC11-69-180F-PZ
Blue	
Code 20P	R NC11-69-120F-40 L NC11-69-180F-40
Code 12K	R NC11-69-120F-57 L NC11-69-180F-57
Green (Code 18J)	R NC11-69-120F-46 L NC11-69-180F-46
Orange (Code 18K)	R NC11-69-120F-56 L NC11-69-180F-56
Red (Code 23E)	R NC11-69-120F-SU L NC11-69-180F-SU
Silver (Code 18G)	R NC11-69-120F-92 L NC11-69-180F-92
White (Code PT)	R NC11-69-120F-PT L NC11-69-180F-PT
2001-02	
Black	
Code A3F	R NC11-69-120F-PZ L NC11-69-180F-PZ
Code 16W	R NC11-69-120F-08 L NC11-69-180F-08
Blue	
Code 22A	R NC11-69-120F-50 L NC11-69-180F-50
Code 23C	R NC11-69-120F-51 L NC11-69-180F-51
Code 24A	R NC11-69-120E-61 L NC11-69-180E-61
Green	
Code A3V	R NC11-69-120F-55 L NC11-69-180F-55
Code 18J	R NC11-69-120F-46 L NC11-69-180F-46
Red (Code A3E)	R NC11-69-120F-SU L NC11-69-180F-SU
Silver (Code 22V)	R NC11-69-120F-67 L NC11-69-180F-67
White (Code A3D)	R NC11-69-120E-09 L NC11-69-180F-09
Yellow (Code HZ)	R NC11-69-120E-HZ L NC11-69-180F-HZ
2003	
Black (Code A3F)	R NC11-69-120F-PZ L NC11-69-180F-PZ
Blue (Code 22A)	R NC11-69-120F-50 L NC11-69-180F-50
Green	
Code 18J	R NC11-69-120F-46 L NC11-69-180F-46
Code 25R	R NC11-69-120F-48 L NC11-69-180F-48
Red (Code A3E)	R NC11-69-120F-SU L NC11-69-180F-SU
Silver (Code 22V)	R NC11-69-120F-67 L NC11-69-180F-67
White (Code A3D)	R NC11-69-120F-09 L NC11-69-180F-09
2004	
Black (Code A3F)	R NC11-69-120F-PZ L NC11-69-180F-PZ
Blue (Code 25E)	R NC11-69-120F-38 L NC11-69-180F-38
Ebony (Code 28W)	R NC11-69-120F-88 L NC11-69-180F-88
Gray (Code 29Y)	R NC11-69-120F-01 L NC11-69-180F-01
Green (Code 18J)	R NC11-69-120F-46 L NC11-69-180F-46
Red	

MAZDA MIATA 1999-04

FRONT DOOR Cont'd	
EXTERIOR TRIM Cont'd	
Code A3E	R NC11-69-120F-SU L NC11-69-180F-SU
Code 29A	R NC11-69-120F-87 L NC11-69-180F-87
Silver (Code 22V)	R NC11-69-120F-67 L NC11-69-180F-67
White (Code A3D)	R NC11-69-120F-09 L NC11-69-180F-09
6 Glass, Mirror¶	R NC10-69-1G1 L NC10-69-1G7
¶Included w/Rear View Mirror Assy	
7 Garnish, Door	R N066-68-DJ1A L N066-68-DJ6A
Tape, Stripe Front	
8 Outer	R NC10-50-8V1 L NC10-50-8W1
9 Inner	R NC10-50-8V3 L NC10-50-8W3

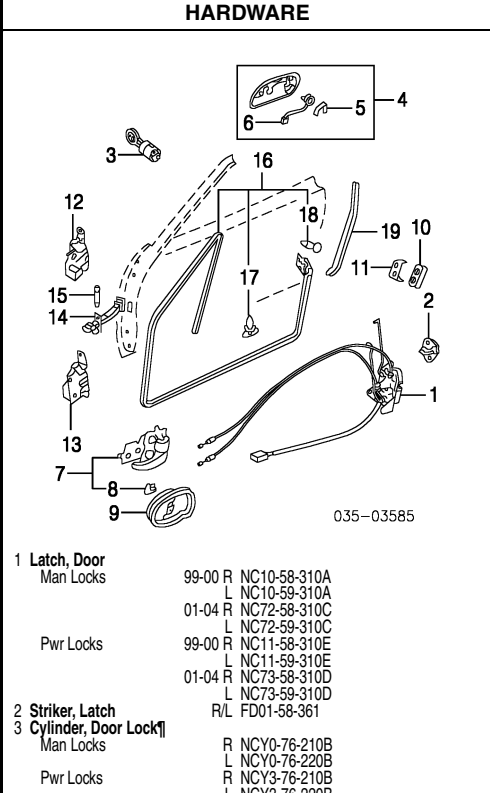


035-03584

1 Panel Assy, Trim	1999-00	
Man Windows 2 Speaker		
Black	R NC10-68-420G-02 L NC10-68-450G-02	
Black/Tan	R NC10-68-420G-21 L NC10-68-450G-21	
Man Windows 4 Speaker		
Black	R NC12-68-420G-02 L NC12-68-450G-02	
Black/Tan	R NC12-68-420G-21 L NC12-68-450G-21	
Pwr Windows 2 Speaker		
Black	R NC11-68-420G-02 L NC11-68-450G-02	
Black/Tan	R NC11-68-420G-21 L NC11-68-450G-21	
Pwr Windows 4 Speaker		
w/Pwr Amplifier		
To VIN 138751		
Black	R NC15-68-420H-02 L NC15-68-450H-02	
Black/Tan	R NC15-68-420H-21 L NC15-68-450H-21	
From VIN 138751		
Black	R NC15-68-420K-02 L NC15-68-450K-02	
Black/Tan	R NC15-68-420K-21 L NC15-68-450K-21	
w/o Pwr Amplifier		
Black	R NC12-68-420G-02 L NC12-68-450G-02	
Black/Tan	R NC12-68-420G-21 L NC12-68-450G-21	
2001-03		
Right		
2 Speaker System		
Beige	NC72-68-420F-80	
Black	NC72-68-420F-02	
Tan	NC72-68-420F-21	
4 Speaker System		
w/Bose Speaker System		
Beige	NC76-68-420F-80	
Black	NC76-68-420F-02	
Tan	NC76-68-420F-21	
w/o Bose Speaker System		

Beige	NC74-68-420F-80	
Black	NC74-68-420F-02	
Tan	NC74-68-420F-21	
Left		
w/Bose Speaker System		
Beige	NC76-68-450F-80	
Black	NC76-68-450F-02	
Tan	NC76-68-450F-21	
w/o Bose Speaker System		
Man Lock 2 Speaker		
Beige	NC72-68-450F-80	
Black	NC72-68-450F-02	
Tan	NC72-68-450F-21	
Man Lock 4 Speaker		
Beige	NC74-68-450E-80	
Black	NC74-68-450E-02	
Tan	NC74-68-450E-21	
Pwr Locks 2 Speaker		
Beige	NC73-68-480F-80	
Black	NC73-68-450F-02	
Tan	NC73-68-450F-21	
Pwr Locks 4 Speaker		
Beige	NC75-68-450F-80	
Black	NC75-68-450F-02	
Tan	NC75-68-450F-21	
2004 (a)		
2 Speaker System	R NC72-68-420F-80 L NC72-68-450F-80	
4 Speaker System	R NC74-68-420F-02 L NC74-68-450F-02	
6 Speaker System	R NE04-68-420-02 L NE04-68-450-02	
(a) Order by Application		
Mldg, Inner Belt¶		
2 Front		
1999-00		
To VIN 100063	R/L NA02-58-821	
From VIN 100063	R/L NC11-58-821	
2001-04	R/L NC11-58-821	
3 Rear	R/L NA01-58-821A	
4 Pocket, Door Trim¶		
1999-00		
2 Speaker System		
Black	R NC10-68-4C1-02 L NC10-68-4N1-02	
Tan	R NC10-68-4C1-21 L NC10-68-4N1-21	
4 Speaker System		
w/Pwr Amplifier		
Black	R NC15-68-4C1-02 L NC15-68-4N1-02	
Tan	R NC15-68-4C1-21 L NC15-68-4N1-21	
w/o Pwr Amplifier		
Black	R NC10-68-4C1-02 L NC10-68-4N1-02	
Tan	R NC10-68-4C1-21 L NC10-68-4N1-21	
2001-03		
2 Speaker System		
Beige	03 R N066-68-4C1A-80 L N066-68-4N1A-80	
Black	R N066-68-4C1A-02 L N066-68-4N1A-02	
Tan	01-02 R N066-68-4C1-21 L N066-68-4N1-21	
4 Speaker System		
w/Bose Speaker System		
Beige	03 R N068-68-4C1A-80 L N068-68-4N1A-80	
Black	R N068-68-4C1A-02 L N068-68-4N1A-02	
Tan	01-02 R N068-68-4C1A-21 L N068-68-4N1A-21	
w/o Bose Speaker System		
Beige	R N066-68-4C1A-80 L N066-68-4N1A-80	
Black	R N066-68-4C1A-02 L N066-68-4N1A-02	
Tan	R N066-68-4C1-21 L N066-68-4N1-21	
2004		
w/Bose Speaker System		
Beige	R N068-68-4C1A-80 L N068-68-4N1A-80	
Black	R/L N068-68-4N1A-02	
w/o Bose Speaker System		
Beige	R N068-68-4C1A-80 L N068-68-4N1A-80	
Black	R N068-68-4C1A-02 L N068-68-4N1A-02	
Tan	R N068-68-4C1A-21 L N068-68-4N1A-21	
w/Bose Speaker System		
Black	R N068-68-4C1A-80 L N068-68-4N1A-80	
5 Handle, Pull¶		
1999-00		
Black	R NC10-68-D71-02 L NC10-68-D81-02	
Tan	R NC10-68-D71-21 L NC10-68-D81-21	
2001-03		
Man Locks		
Beige	R N066-68-D71B-80 L N066-68-D81B-80	
Black	R N066-68-D71B-02 L N066-68-D81B-02	
Tan	R N066-68-D71B-21 L N066-68-D81B-21	
Pwr Locks		
Beige	R N066-68-D71B-80 L N066-68-D81B-80	
Black	R N066-68-D71B-02 L N066-68-D81B-02	

Tan	R N066-68-D71B-21 L N066-68-D81B-21	
2004		
Right		
Beige	N066-68-D71B-80	
Black	N066-68-D71B-02	
Left		
Man Locks		
Beige	NC73-68-D81C-80	
Black	NC73-68-D81C-02	
Pwr Locks		
Beige	N066-68-D81B-80	
Black	N066-68-D81B-02	
6 Grille, Upr Speaker¶	R NC10-68-4H1-02 L NC10-68-4W1-02	
7 Speaker Assy, Upper¶	R 0000-81-096X L 0000-81-096Y	
8 Speaker, Upper¶ (a)	R/L NC12-66-960	
9 Bracket, Upr Speaker¶ (a)	R NC12-66-9B2A L NC12-66-9B1A	
(a) Included w/Upper Speaker Assy		
10 Plate¶		
Beige	R N066-68-4E6-80 L N066-68-4V6-80	
Black	R N066-68-4E6-02 L N066-68-4V6-02	
Tan	R N066-68-4E6-21 L N066-68-4V6-21	
11 Fastener, Frt Trim¶		
(2/Side)	99-03 R/L GA2A-68-AB1A 04 R/L N066-68-ABX	
12 Fastener, Rear Trim¶		
(4/Side)	99-03 R/L G350-68-AB1 04 R/L N066-68-ABX	
¶Included w/Trim Panel Assy		
13 Fastener, Trim Panel	R/L GJ21-68-885B-02	
14 Bracket, Trim (2/Side)	R/L NC10-68-403	
15 Fastener, Upr (2/Side)		
Black	R/L B467-68-AC3-02	
Tan	R/L B467-68-AC3-21	
16 Speaker Assy, Lower		
1999-00		
2001-04		
w/Bose Speaker System	01-02 R/L NC18-66-960D 03-04 R/L NC18-66-960D	
w/o Bose Speaker System	R/L 0000-81-09C0	
17 Bracket, Speaker¶		
w/Pwr Amplifier		
1999-00	R/L NC25-66-9B1A	
2001-04	R/L NC25-66-9B1A	
¶Included w/Lower Speaker Assy		
18 Bracket, Speaker		
w/Pwr Amplifier	R/L NC18-66-960D	
19 Shield, Moisture		
1999-00		
Man Windows	R NC10-58-861F L NC10-59-861F	
Pwr Windows	R NC12-58-861H L NC12-59-861H	
2001-04		
w/Bose Speaker System	R N067-58-861D L N067-59-861E	
w/o Bose Speaker System	R N066-58-861D L N066-59-861E	



035-03585

*Included w/Complete Lock Set-listed in Steering Wheel/Column Section	
4 Handle Assy, Outside	
1999-00	
Black (Code A3F)	R GA5R-58-410G-PZ L EA01-59-410G-PZ
Blue	
Code 20P	R GA5R-58-410F-40 L EA01-59-410F-40
Code 12K	R GA5R-58-410F-57 L EA01-59-410F-57
Green (Code 18J)	R GA5R-58-410F-47 L EA01-59-410F-47
Orange (Code 18K)	R GA5R-58-410F-56 L EA01-59-410F-56
Red (Code A3E)	R GA5R-58-410F-SU L EA01-59-410F-SU
Silver (Code 18G)	R GA5R-58-410F-92 L EA01-59-410F-92
White (Code PT)	R GA5R-58-410F-PT L EA01-59-410F-PT
2001-02	
Black	
Code A3F	R GA5R-58-410G-PZ L EA01-59-410G-PZ
Code 16W	R/L GA5R-58-410G-PZ
Blue	
Code 22A	R GA5R-58-410F-50 L EA01-59-410F-50
Code 23C	R GA5R-58-410G-51 L EA01-59-410G-51
Code 24A	R/L GA5R-58-410G-61
Green	
Code A3V	R/L GA5R-58-410G-55 R GA5R-58-410F-47 L EA01-59-410F-47
Code 18J	R GA5R-58-410F-SU L EA01-59-410F-SU
Red (Code A3E)	R GA5R-58-410G-68 L EA01-59-410G-68
Silver (Code 22V)	R GA5R-58-410G-68 L EA01-59-410G-68
Yellow (Code HZ)	R/L GA5R-58-410G-HZ
White (Code PT)	R GA5R-58-410G-09 L EA01-59-410F-09
2003	
Black (Code A3F)	R GA5R-58-410G-PZ L EA01-59-410G-PZ
Blue (Code 22A)	R GA5R-58-410G-50 L EA01-59-410G-50
Green	
Code 18J	R GA5R-58-410G-46 L EA01-59-410G-46
Code 25R	R GA5R-58-410G-48 L EA01-59-410G-48
Red (Code A3E)	R GA5R-58-410G-SU L EA01-59-410G-SU
Silver (Code 22V)	R GA5R-58-410G-67 L EA01-59-410G-67
White (Code A3D)	R GA5R-58-410G-09 L EA01-59-410G-09
2004	
Black (Code A3F)	R GA5R-58-410G-PZ L EA01-59-410G-PZ
Blue (Code 25E)	R GA5R-58-410G-38 L EA01-59-410G-38
Ebony (Code 28W)	R GA5R-58-410G-88 L EA01-59-410G-88
Gray (Code 29Y)	R GA5R-58-410G-01 L EA01-59-410G-01
Green (Code 18J)	R GA5R-58-410G-47 L EA01-59-410G-47
Red	
Code A3E	R GA5R-58-410G-10 L EA01-59-410G-10
Code 29A	R GA5R-58-410G-87 L EA01-59-410G-87
Silver (Code 22V)	R GA5R-58-410G-67 L EA01-59-410G-67
White (Code A3D)	R GA5R-58-410G-09 L EA01-59-410G-09
5 Retainer, Lock Cyl	R GT2G-59-495 L GT2G-59-495
6 Plug, Outside Handle	R/L HG30-58-4A9
7 Handle Assy, Inside	
1999-00	R/L B01A-58-330D-02
2001-02	R N066-58-330A-02 L N066-59-330A-02
2003	
Sport Susp	R N067-58-330E L N067-59-330E
Std Susp	R N066-58-330A-02 L N066-59-330A-02
2004	R N068-58-330 L N068-59-330
8 Clip, Inside Handle	R B01A-58-335 L B01A-59-335
9 Cover, Inside	R EA01-58-303-02 L EA01-59-303-02
10 Wedge, Door	99-03 R/L NA01-62-681 04 R/L S084-62-671A R/L S084-62-671A
11 Dovetail, Wedge	R/L DX50-59-240
12 Hinge, Upper	R/L DX50-58-240
13 Hinge, Lower	L DX50-59-240
14 Check, Door	R/L NA01-58-270B
15 Pin, Door Check	R/L BC1D-58-265
16 Weatherstrip Assy, Door	R NC10-58-760F L NC10-59-760F
Fastener, W/Strip	
17 No. 1 (19/Side)	R/L BC1D-58-762
18 No. 2 (2/Side)	R/L 9926-40-531B

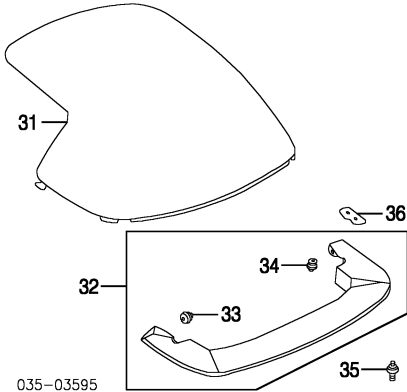
*Included w/Door Weatherstrip Assy	
19 Welt, Seam	R/L NC10-68-911-00
GLASS & PARTS	
035-03446	
1 Glass Assy, Front Door	Mazda R NC10-58-510D L NC10-59-510D
2 Stopper, Glass (2/Side)	R/L H001-58-546
3 Washer (4/Side)	R/L NA01-58-523
*Included w/Front Door Glass Assy	
4 Grommet, Stopper (2/Side)	R/L B235-58-502
5 Glass, Vent	Mazda R NB39-58-661A L NB39-59-661A
6 W/Strip, Vent Glass	R NA01-58-651B L NA01-59-651B
7 Channel, Division	
1999-00	To VIN 100083 R NA01-58-604B L NA01-59-604B
	From VIN 100083 R NC10-58-604A L NC10-59-604A
2001-04	R NC10-58-604A L NC10-59-604A
8 Guide, Glass	R NA01-58-603D L NA01-59-603D
9 Regulator, Manual	99-00 R/L NC10-58-560F L NC10-59-560F
10 Handle Assy, Regulator	99-00 R/L S084-58-580A-00
11 Ring, Snap	99-00 R/L B001-58-585
*Included w/Regulator Handle Assy	
12 Escutcheon, Handle	99-00 R/L B001-58-582A-00
13 Pad, Handle	99-00 R/L B092-58-863A
14 Regulator, Power	R NC11-58-590G L NC11-59-590G
15 Motor, Regulator	R NC11-58-58XA L NC11-59-58XA
Moulding Assy, Outer Belt-See Exterior Trim Section	
Mldg, Inr Belt	
Front-See Interior Trim Section	
Rear-See Interior Trim Section	

CONVERTIBLE TOP	
Illustration Located in Next Column	
1 Top Assy, Convertible	
1999	
Black	NC10-R1-020W-66
Blue	NC10-R1-020W-44
Tan	NC10-R1-020W-88
2000	
Black	NC20-R1-020P-66
Blue	NC20-R1-020D-44
Tan	NC20-R1-020P-88
2001	
To 1-22-01	
Black	NC20-R1-020P-66
Tan	NC20-R1-020P-88
Type 1	NC20-R1-020P-88
Type 2	NC72-R1-020A-88
From 1-22-01	
Black	NC20-R1-020P-66
Tan	NC20-R1-020P-88
Type 1	NC20-R1-020P-88
Type 2	NC72-R1-020C-88
2002	
Black	NC20-R1-020P-66

035-03594	
Tan	
Type 1	NC20-R1-020P-88
Type 2	NC72-R1-020C-88
2003	
Black	NC20-R1-020R-66
Tan	VC20-R1-020R-88
2004	
Cloth	N.A.
Vinyl	N.A.
2 Cover Assy, Outer Top	
1999-02	
Black	NC10-R1-210G-66
Blue	99-00 NC10-R1-210G-44
Tan	
Type 1	NC10-R1-210G-88
Type 2	NC72-R1-210B-88
2003	
Black	NC10-R1-210G-66
Tan	NC10-R1-210G-88
2004	
Cloth	
Beige/Black	N077-R1-210-80
Black	N077-R1-210-66
Dark Blue	N077-R1-210-60
Vinyl	NC10-R1-210G-66
3 Fastener Set (a)	NA01-R1-230
(a) Included w/Outer Top Cover Assy	
4 Frame, Cover	
1999-00	
To VIN 138751	NC10-R1-100A
From VIN 138751	NC10-R1-100G
2001-04	NC10-R1-100G
5 W/Strip, Header	NC10-R1-711D
6 Handle, Top	NA01-R1-331
7 Latch Assy, Top	99-03 R NA01-R1-310L L NA01-R1-320L 04 R NA01-R1-310M L NA01-R1-320M
8 Cap, Top Latch (a)	R/L NA01-R1-311
9 Pad (a)	R/L NA01-R1-313B
(a) Included w/Top Latch Assy	
10 Striker, Latch	R NA01-R1-361H L NA01-R1-371H
11 Plate Set, Front	NA01-R1-291A
12 Plate Set, Center Rear	NA01-R1-581D
13 Plate Set, Outer Rear	R NC10-R1-582B L NC10-R1-592B
14 Welt, Seam	NC10-R1-281
15 W/Strip, Otr Frt Frame	R NC10-R1-411C L NC10-R1-421C
16 W/Strip, Otr Ctr Frame	R NC10-R1-412D L NC10-R1-422D
17 W/Strip, Otr Rear Frame	R NC10-R1-413A L NC10-R1-423A
18 W/Strip, Inr Frt Frame	R NC10-R1-431B L NC10-R1-441B
19 W/Strip, Inr Rear Frame	R NC10-R1-432C L NC10-R1-442C
20 Retainer, Frt Frame W/Strip	R NA01-R1-461 L NA01-R1-471
21 Retainer, Ctr Frame W/Strip	R NA01-R1-462 L NA01-R1-472
22 Retainer, Rear Frame W/Strip	R NA01-R1-463 L NA01-R1-473
23 W/Strip, Side	R NC10-R1-721D L NC10-R1-731C
24 Grommet, Retainer (16)	NA01-R1-491
25 Moulding, Belt	NC10-R1-750D
26 Protector, Moulding	R NA01-R1-741B L NA01-R1-742C
27 Cover, Belt	R NC10-R1-780E L NC10-R1-790G
28 Retainer, Belt Cover	R/L G032-68-865A-00
29 Stopper, Outer Cover	R/L NA01-R1-981A
30 Rail, Drip	NC20-R1-560
*Included w/Convertible Top Assy	

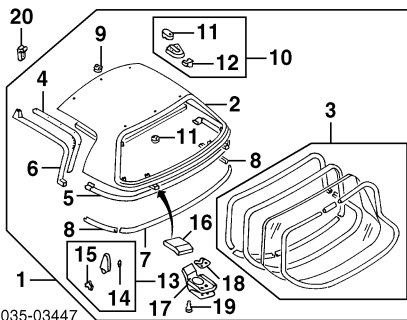
MAZDA MIATA 1999-04

CONVERTIBLE TOP Cont'd



31 Cover, Top Inner	99-00 NA01-R1-96XD
32 Boot Assy	
Beige	01-03 NC10-R1-960C-80
Black	04 ND30-R1-960-66
Blue	99-03 NC10-R1-960C-66
Gray	04 ND30-R1-960-66
Tan	00-03 NC10-R1-960C-53
Tan	04 NC10-R1-960C-60
33 Hook, Corner (5)	NC10-R1-960C-28
Black	NA01-R1-96Z-00
Silver	NA01-R1-96Z-75
34 Hook, Top Boot (4)	99-03 B235-R1-953
	04 NC10-R1-96Z
	<i>†Included w/Boot Assy</i>
35 Hook, Inner (4)	NA01-R1-970A
36 Plate, Hook	R NA01-R1-381E
	L NA01-R1-391E

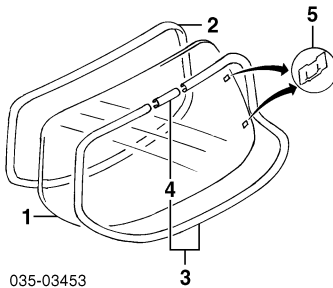
HARDTOP



1 Panel Assy, Top	
Black	
Code A3F	
1999-00	NC10-R1-810K-PZ
2001	
To 1-1-01	NC10-R1-810K-PZ
From 1-1-01	NC10-R1-82XB-PZ
2002	NC10-R1-810L-PZ
2003	ND30-R1-810C-PZ
2004	ND30-R1-810G-PZ
Blue	
Code 12K	NC10-R1-810K-57
Code 20P	NC10-R1-810K-40
Code 22A	
2000	NC10-R1-810J-50
2001	NC10-R1-82XB-50
2002	NC10-R1-810L-50
2003	NC10-R1-810C-50
Code 23C	NC10-R1-810N-51
Code 25E	ND30-R1-810G-38
Ebony (Code 28W)	ND30-R1-810G-88
Gray (Code 29Y)	ND30-R1-810G-01
Green	
Code A3V	
2001	NC10-R1-82XB-55
2002	NC10-R1-810L-55
Code 18J	
1999-00	NC10-R1-810K-46
2001	NC10-R1-82XB-46
2002	NC10-R1-810L-46
2003	ND30-R1-810C-46
2004	ND30-R1-810G-46
Code 25R	03 ND30-R1-810C-50
Orange (Code 18K)	NC10-R1-810K-56
Red	
Code A3E	
Code A3E	99-00 NC10-R1-810K-SU
	01 NC10-R1-82XB-SU
	02 NC10-R1-810L-SU

Code 27A	03 ND30-R1-810C-SU
Silver (Code 22V)	04 ND30-R1-810G-SU
1999	NC10-R1-810K-92
2000	NC10-R1-810J-68
2001	NC10-R1-82XB-68
2002	NC10-R1-810L-55
2003	ND30-R1-810C-68
2004	ND30-R1-810G-68
White	
Code PT	NC10-R1-810K-PT
Code A3D	
2000	NC10-R1-810J-09
2001	NC10-R1-82XB-09
2002	NC10-R1-810L-09
2003	ND30-R1-810C-09
2004	ND30-R1-810G-09
Yellow (Code 26S)	NC10-R1-82XB-76
2 Panel, Top (P)	99-02 N007-68-031-00
	03-04 ND30-68-030-00
	<i>(P) Paint to Match</i>
3 Glass, Back Window (†) See Back Window Section	
4 Retainer, Side W/Strip (†)	R NA01-R1-882
	L NA01-R1-892
5 W/Strip, Rear Top (†)	NA01-R1-89XB
6 W/Strip, Side Top (†)	R NC10-R1-881D
	L NC10-R1-891D
7 Moulding, Center Belt (†)	NA01-R1-935B
8 Moulding, Side Belt (†)	R NA01-R1-936A
	L NA01-R1-946A
	G030-55-225-00
9 Cover, Hole (†) (6)	
10 Latch Assy, Top Front (†)	R NA01-R1-310L
(2/Side)	L NA01-R1-320L
11 Cap, Latch (†) (a)	R/L NA01-R1-311
(2/Side)	
12 Pad, Cap (†) (a)	R/L NA01-R1-313B
(2/Side)	<i>(a) Included w/Top Front Latch Assy</i>
13 Latch Assy, Rear Top (†)	R/L NA02-R1-310G
14 Cap, Latch (†) (a)	R/L NA01-R1-311
15 Pad, Cap (†) (a)	R/L NA01-R1-313B
(2/Side)	<i>(a) Included w/Rear Top Latch Assy</i>
16 Cover, Latch (†)	R NA01-R1-861
	L NA01-R1-871
17 Cushion, Latch (†)	R NA01-R1-864
	L NA01-R1-874
18 Plate, Latch (†)	R/L NA01-R1-863
19 Pin, Latch (†)	R/L NA01-R1-869
	<i>†Included w/Top Panel Assy</i>
20 Striker, Latch	R NA02-R1-361D
	L NA02-R1-371D

BACK WINDOW



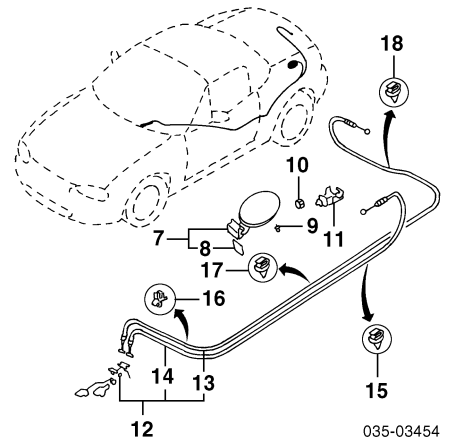
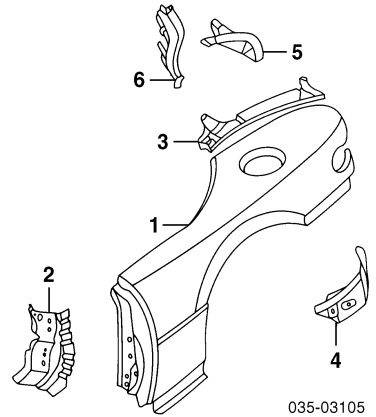
1 Glass, Back Window (†)	
Mazda	99-03 NB40-63-931
	04 NB40-63-931D
2 Dam, Glass (†)	NA01-63-895
3 Moulding Assy, Reveal (†)	NAY1-63-930
4 Joint, Moulding (†) (a)	NA01-63-934
	<i>†Included w/Top Panel Assy</i>
	<i>(a) Included w/Reveal Moulding Assy</i>
5 Terminal, Glass (2)	NC10-63-959A

QUARTER PANEL

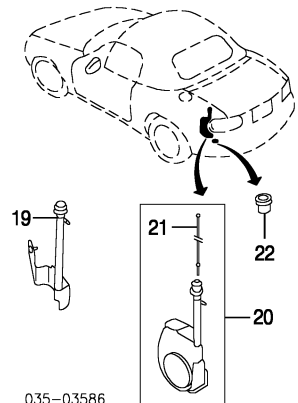
SHEET METAL

Illustration Located in Next Column

1 Panel, Outer Quarter	R NCY0-70-400A
	L NCY0-71-410A
2 Reinf, Door Striker	R NC10-70-460B
	L NC10-71-460B
3 Rail, Rear Drip	R NC10-70-440A
	L NC10-71-440A
4 Panel, Lower Rear	R NCY0-70-4A0
	L NCY0-71-4A1B
5 Gusset, Rear	R NC10-70-4A5B
	L NC10-71-4A5B
6 Housing, Lamp	R NC10-70-481B
	L NC10-71-481B
7 Door Assy, Fuel	L NC10-42-410D

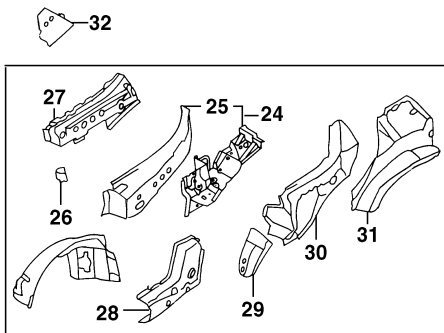


8 Spring, Fuel Door (†)	L H043-42-431D
	<i>†Included w/Fuel Door Assy</i>
9 Stopper, Fuel Door (2)	L 0187-70-491
10 Nut, Fuel Door	L 9WA6-01-000B
11 Opener, Fuel Door	99-03 L EA01-56-890D
	04 L B095-56-890E
12 Opener Assy, Luggage Lid	
1999-00	NC10-56-850C
2001-04-Serviced by Components	
13 Cable, Fuel Door Opener (†)	NC10-56-880C
14 Cable, Luggage Lid Opener	
1999-02 (†)	NC10-56-870C
2003-04	N067-56-870A
	<i>†Included w/Luggage Lid Opener Assy</i>
15 Clip, Fuel Door Cable	H260-67-054
16 Clip, Frt Luggage Lid Cable	9927-90-803
17 Clip, Ctr Luggage Lid Cable	H260-67-054
18 Clip, Rear Luggage Lid Cable	M003-66-941



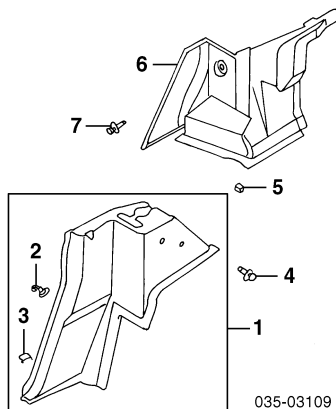
19 Antenna, Manual	0000-81-154A
20 Antenna Assy, Power	NC72-76-930
21 Mast, Power Antenna (†)	99-03 0000-81-904C
	04 B05A-66-A30
	<i>†Included w/Power Antenna Assy</i>
22 Plug, Drain	B092-56-052

MAZDA MIATA 1999-04



- 23 Panel Assy, Inner Quarter
 - 99-00 R NC10-70-100
 - L NC10-71-100
 - 01-04 R N067-70-100
 - L N067-71-100
- 24 Panel Assy, Inner Upper¶
 - 99-00 R NC10-70-1X0
 - L NC10-71-1X0
 - 01-04 R NA01-70-19XF
 - L NA01-71-19XF
- 25 Reinf, Inr Up
 - 1999-00¶ (a) R NA01-70-19XF
 - L NA01-71-19XF
 - 2001-04-Serviced w/Inner Upper Panel Assy
 - (a) Included w/Inner Upper Panel Assy
- 26 Bracket, Inr Pn¶
 - R/L NA01-71-192
- 27 Reinf, Quarter Panel¶
 - R NC10-70-117A
 - L NC10-71-117A
- 28 Plate, Joint¶
 - R NC10-70-1AXA
 - L NC10-71-1AXA
- 29 Plate, End¶
 - R NC10-70-112A
 - L NC10-71-112A
- 30 Reinf, Belt Line¶
 - R NA01-70-116D
 - L NA01-71-116F
- 31 Wheelhouse, Outer¶
 - R NCY0-70-11X
 - L NCY0-71-11X
- 32 Plate, Closing
 - R N067-70-670
 - L N067-71-670

INTERIOR TRIM

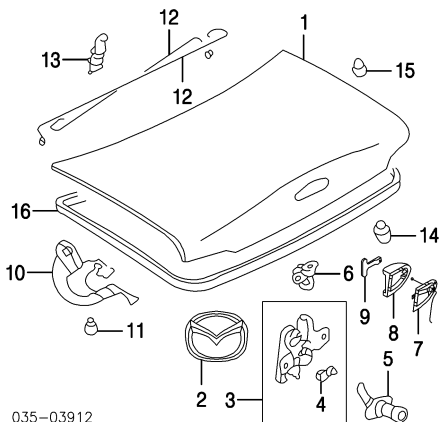


- 1 Panel Assy, Quarter Trim
 - Conv Top
 - w/Aero Board
 - Beige
 - 01-03 R N053-68-520C-80
 - L N053-68-550C-80
 - 04 R NC31-68-520C-80
 - L NC31-68-550C-80
 - Black
 - 99-03 R N053-68-520C-00
 - L N053-68-550C-00
 - 04 R NC31-68-520C-00
 - L NC31-68-550C-00
 - Tan
 - R N053-68-520C-21
 - L N053-68-550B-21
 - w/o Aero Board
 - Beige
 - 01-03 R NC10-68-520C-80
 - L NC10-68-550C-80
 - 04 R NC30-68-520C-80
 - L NC30-68-550C-80
 - Black
 - 99-03 R NC10-68-520C-00
 - L NC10-68-550C-00
 - 04 R N053-68-520C-00
 - L N053-68-550C-00
 - Tan
 - 01-02 R NC10-68-520C-21
 - L NC10-68-550C-21
 - Hardtop
 - w/Aero Board
 - Beige
 - 01-03 R NC31-68-520C-80
 - L NC31-68-550C-80
 - 04 R N053-68-520C-80
 - L N053-68-550C-80

035-03109

- Black
 - 00-03 R NC31-68-520C-00
 - L NC31-68-550C-00
 - 04 R N053-68-520C-00
 - L N053-68-550C-00
- Tan
 - 01-02 R NC31-68-520C-21
 - L NC31-68-550C-21
- w/o Aero Board
- Beige
 - 01-03 R NC30-68-520C-80
 - L NC30-68-550C-80
 - 04 R NC10-68-520C-80
 - L NC10-68-550C-80
- Black
 - 99-03 R NC30-68-520C-00
 - L NC30-68-550C-00
 - 04 R NC10-68-520C-00
 - L NC10-68-550C-00
- Tan
 - 01-02 R NC30-68-520C-21
 - L NC30-68-550C-21
- 2 Clip, Up
 - R/L NC10-68-AD2C-80
- 3 Clip, Lwr Trim Panel¶
 - 99-03 R/L NC10-68-AD2B-00
 - 04 R/L NC10-68-AD2C-00
 - 01-02 R/L NC10-68-AD2B-21
- 4 Fastener, Trim Panel
 - Beige R/L B499-68-AC3A-80
 - Black R/L B499-68-AC3A-00
 - Tan R/L B499-68-AC3A-21
- 5 Cover, Hole
 - Beige R/L NA01-68-222A-80
 - Black R/L NA01-68-222A-00
 - Tan R/L NA01-68-222A-21
- 6 Cover, Link
 - Beige R NC10-68-282A-80
 - Black L NC10-68-292A-80
 - Tan R NC10-68-282A-02
 - L NC10-68-292A-02
 - R NC10-68-282A-21
 - L NC10-68-292A-21
- 7 Fastener, Link Cover
 - Beige R/L B467-68-AC3-80
 - Black R/L B467-68-AC3-02
 - Tan R/L B467-68-AC3-21

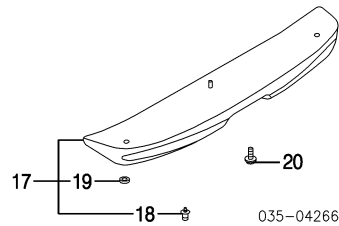
LUGGAGE LID



035-03912

- 1 Lid, Luggage
 - NCY0-52-61XG
- 2 Emblem (Adhesive)
 - NC37-51-731A
- 3 Latch Assy
 - 1999-00 NC10-56-820C
 - 2001-02 w/Keyless Entry N066-56-820D
 - w/o Keyless Entry NC10-56-820C
 - 2003-04 w/Keyless Entry NC88-56-820A
 - w/o Keyless Entry NC87-56-820B
 - G030-59-315
- 4 Clip, Latch¶
 - ¶Included w/Latch Assy
- 5 Cylinder, Luggage Lid Lock¶
 - NCY1-76-230A
 - ¶Included w/Complete Lock Set-listed in Steering Wheel/Column Section
- 6 Striker, Latch
 - NA01-56-840
- 7 Cable, Latch Release
 - NC10-56-8B0B
- 8 Handle, Release
 - BJOE-56-8B2B
- 9 Base, Release Handle
 - NC10-56-8B4A
- 10 Hinge
 - R NA01-52-710C
 - L NA01-52-720B
 - R/L NA01-56-802
- 11 Cushion, Hinge
- 12 Bar, Torsion
 - 1999-03 R NC10-52-791B
 - L NC10-52-792B
 - 2004 w/Turbo R N115-52-791A
 - L N115-52-792
 - w/o Turbo R NC10-52-791B
 - L NC10-52-792B
 - NA01-56-805
- 13 Holder, Torsion Bar
- 14 Cushion, Rubber
 - 1999-01 To VIN 106606 R/L B481-56-786
 - From VIN 106606 R/L H043-56-786
 - 2002-04 R/L H043-56-786
- 15 Plug, Drain
 - R/L NA01-56-051

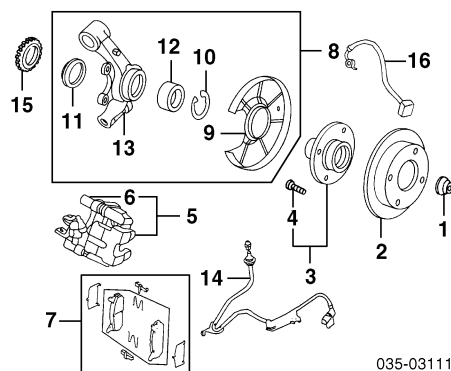
- 16 W/Strip, Lid
 - NC10-56-951



035-04266

- 17 Spoiler Assy, Air
 - Gray (Code 29Y) N115-51-960-01
 - Green (Code 18J) N115-51-960-46
 - Red (Code 27A) N115-51-960-87
 - Silver (Code 22V) N115-51-960-67
 - White (Code A3D) N115-51-960-09
- 18 Clip, Spoiler¶
 - R/L N115-51-685
- 19 Gasket, Spoiler¶ (3)
 - N115-51-965
 - ¶Included w/Air Spoiler Assy
- 20 Bolt, Spoiler
 - R/L 9YA0-20-612

REAR SUSPENSION



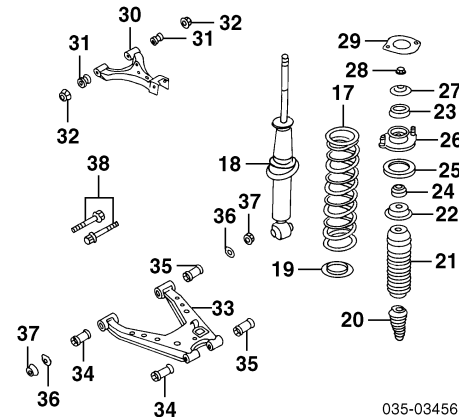
035-03111

- 1 Nut, Axle
 - R/L GJ21-33-042B
- 2 Rotor, Brake
 - 1999-00 R/L BB4C-26-251C
 - 2001 Std Susp R/L BB4C-26-251C
 - Sport Susp R/L N06Y-26-251B
 - 2002-04 Std Susp R/L BB4C-26-251C
 - Sport Susp R/L BB4C-26-251C
 - w/Dacron Coating R/L N06Y-26-251B
 - w/o Dacron Coating R/L N06Y-26-251B
- 3 Hub Assy
 - R/L B01A-33-060A
- 4 Bolt, Lug¶ (4/Side)
 - R/L B01Y-33-062
 - ¶Included w/Hub Assy
- 5 Caliper Assy, Brake
 - 1999-00 R NAY5-26-98ZR
 - L NAY5-26-98ZR
 - 2001-04 Std Susp R/L NAY5-26-98ZR
 - Sport Susp R/L NOY7-26-98ZR
- 6 Support, Caliper¶
 - 1999-00 R NA75-26-28X
 - L NA75-26-29X
 - 2001-04 Std Susp R NA75-26-28X
 - L NA75-26-29X
 - Sport Susp R N067-26-28X
 - L N067-26-29X
 - ¶Included w/Brake Caliper Assy
- 7 Pad Set, Brake
 - 1999-00 NAY1-26-46ZB
 - 2001 Std Susp NOY8-26-43ZA
 - Sport Susp To 11-1-01 NO69-26-43ZA
 - From 11-1-01 NOY9-26-43ZC
 - 2002 Std Susp NOY8-26-43ZA
 - Sport Susp NOY9-26-43ZC
 - 2003-04 Std Susp NOY8-26-43ZA
 - Sport Susp NOY7-26-48ZB
- 8 Knuckle Assy
 - 1999-00 w/ABS R NC14-26-130
 - L NC14-26-140
 - w/o ABS R NC10-26-130
 - L NC10-26-140
 - 2001-04 Std Susp R NC10-26-130
 - L NC10-26-140
 - Sport Susp w/ABS R N069-26-130
 - L N069-26-140
 - w/o ABS R N067-26-130
 - L N067-26-140

MAZDA MIATA 1999-04

REAR SUSPENSION Cont'd

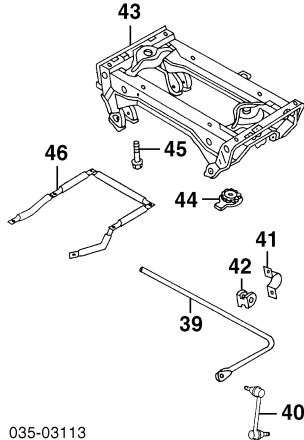
- 9 **Shield, Splash**
 - 1999-00 R/L B530-26-261B
 - 2001-04 Std Susp R/L B530-26-261B
 - Sport Susp R/L N067-26-261
 - 10 **Ring, Retaining** R/L B21M-33-048
 - 11 **Seal, Grease** R/L G304-33-065
 - 12 **Bearing, Knuckle** R/L B455-33-047D-MV
 - 13 **Knuckle**
 - w/ABS R NC14-26-112B
 - L NC14-26-122B
 - w/o ABS R NC10-26-112B
 - L NC10-26-122B
- †Included w/Knuckle Assy*
- 14 **Sensor, Rear ABS-See ABS/Brakes Section**
 - 15 **Ring, Frt ABS Sensor**
 - w/Turbo R/L G14V-26-471
 - w/o Turbo R/L BC4C-33-471
 - 16 **Hose, Brake**
 - R NA75-43-980A
 - L NA75-43-990A



- 17 **Spring, Coil**
 - 1999-00 R/L NC12-28-011D
 - Std Susp R/L NC10-28-011B
 - Sport Susp
 - 2001-03 R/L N066-28-011A
 - Std Susp R/L N066-28-011A
 - Sport Susp R/L N066-28-011A
 - Firm R/L N066-28-011A
 - Hard R/L N067-28-011
 - 2004 Std Susp R/L N066-28-011A
 - Sport Susp R/L N066-28-011A
 - Firm R/L N066-28-011A
 - Hard R/L N066-28-011A
 - w/Turbo R/L NE45-28-011
 - w/o Turbo R/L N067-28-011A

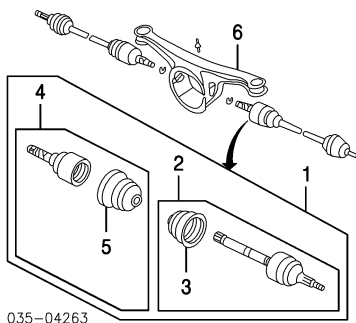
- 18 **Strut**
 - 1999-00 R/L NC12-28-700D
 - Std Susp R/L NC10-28-700C
 - Sport Susp
 - 2001-02 R/L N066-28-700
 - Std Susp R/L N066-28-700
 - Sport Susp R/L N066-28-700
 - Firm R/L N067-28-700
 - Hard R/L N067-28-700
 - 2003 Std Susp R/L N066-28-700
 - Sport Susp R/L N067-28-700
 - 2004 Std Susp R/L N066-28-700
 - Sport Susp R/L N066-28-700
 - Firm R/L NE02-28-700
 - Hard R/L NE45-28-700A
 - w/Turbo R/L N067-28-700
 - w/o Turbo R/L NC10-28-0A3A

- 19 **Rubber, Mounting** R/L NC10-28-0A3A
- 20 **Stopper, Bumper** R/L NC10-28-111B
- 21 **Boot, Dust** R/L NC10-28-015A
- 22 **Washer** R/L NC10-28-777
- 23 **Bushing, Upper** R/L NC10-28-775
- 24 **Bushing, Lower** R/L NC10-28-776
- 25 **Seat, Spring** R/L NC10-28-012B
- 26 **Insulator, Mount** R/L NC10-28-340C
- 27 **Retainer, Strut** R/L NC10-28-774
- 28 **Nut, Flange** R/L D061-28-7A1
- 29 **Gasket, Mount** R/L G030-28-013A
- 30 **Arm, Upper** R/L NC10-28-C10
- 31 **Bushing, Upr Arm (2/Side)** R/L NA01-28-8C0C
- 32 **Nut, Upper Arm (2/Side)** R/L 8871-34-222
- 33 **Arm, Lower** R/L NC10-28-310
- 34 **Bushing, Frt Lwr Arm (2/Side)** R NA01-28-460
- L NA01-28-4D0
- 35 **Bushing, Rear Lwr Arm (2/Side)** R NA01-28-460
- L NA01-28-4D0
- 36 **Plate, Cam (2/Side)** R/L NA80-28-473A
- 37 **Nut, Plate (4/Side)** R/L B001-39-037B
- 38 **Bolt, Adjust (2/Side)** R/L NA80-28-662D



- 39 **Bar, Stabilizer**
 - 1999-03 NC12-28-151A
 - Std Susp NC12-28-151A
 - Sport Susp
 - 2004 Std Susp NC12-28-151A
 - Sport Susp NC12-28-151A
 - Firm NC12-28-151A
 - Hard w/Turbo NE45-28-151
 - w/o Turbo NC12-28-151A
- 40 **Link, Stab Bar**
 - R GA2A-34-150A
 - L GA2A-34-170A
 - R/L FB01-28-155
- 41 **Bracket, Stab Bar**
- 42 **Bushing, Stab Bar**
 - 1999-03 R/L G113-28-156
 - Std Susp R/L N023-28-156
 - Sport Susp
 - 2004 Std Susp R/L N023-28-156
 - Sport Susp R/L N023-28-156
 - Firm R/L N023-28-156
 - Hard w/Turbo R/L NE45-28-156A
 - w/o Turbo R/L G113-28-156
- 43 **Crossmember, Suspension**
 - 99-00 NC10-28-800A
 - 01-04 NC10-28-800D
- 44 **Washer, Crossmember** R/L NA01-28-880C
- 45 **Bolt, Control Link**
 - 99-03 R/L NA01-28-092
 - 04 R/L 9YA0-21-286
- 46 **Bar, Rear Cross**
 - 1999-00 NC10-28-E90D
 - 2001-04 NC10-28-E90D
 - Std Susp NC10-28-E90D
 - Sport Susp N067-28-E90A

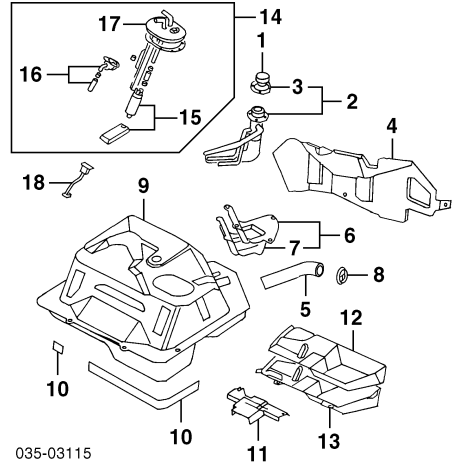
REAR DRIVE AXLE



- 1 **Shaft Assy, Axle**
 - w/Turbo R/L MA03-25-50X
 - w/o Turbo R/L MD21-25-500
- 2 **Joint Assy, Outer**
 - 1999-00 R/L MD12-22-510B
 - w/ABS R/L MD11-22-510A
 - 2001-03 R/L MD12-22-510B
 - 2004-Serviced w/Axle Shaft Assy
- 3 **Boot Set, Outer**
 - 1999-03 (a) R/L M090-22-530-9U
 - 2004 w/Turbo R/L MA03-22-530
 - w/o Turbo R/L M090-22-530-9U
 - (a) *Included w/Outer Joint Assy*
- 4 **Joint Assy, Inner**
 - w/Turbo R/L MA03-22-520
 - w/o Turbo R/L MD02-22-520B
- 5 **Boot, Inner (b)**
 - w/Turbo R/L MA01-22-540
 - w/o Turbo R/L M090-22-540-9U
 - (b) *Included w/Axle Shaft Assy*
 - (b) *Included w/Inner Joint Assy*

- 6 **Case, Differential** MA02-27-600A

FUEL TANK



- 1 **Cap, Filler**
 - 99-03 NC10-42-250B
 - 04 NC11-42-250
- 2 **Pipe Assy, Filler**
 - 1999 NC10-42-210H
 - 2000 NC10-42-210H
 - To VIN 138751 NC10-42-210H
 - From VIN 138751 NC49-42-210A
 - 2001-04 NC49-42-210E
- 3 **Gasket, Filler Pipe**
 - 0866-42-366B
- 4 **Protector, Filler Pipe** NC11-42-291A
- 5 **Hose, Filler** NC10-42-231
- 6 **Cover Assy, Filler Pipe**
 - 1999 NC10-42-240
 - 2000 NC10-42-240
 - To VIN 138751 NC10-42-240
 - From VIN 138751 NC49-42-240
 - 2001-04 NC49-42-240
- 7 **Gasket, Cover**
 - NA01-42-233
- 8 **Valve, Non Return**
 - 99 GA2A-42-270
 - 00 GE4T-42-270
 - 01-04 GE4T-42-270B
- 9 **Tank, Fuel**
 - 99-02 NC49-42-110B
 - 03 ND30-42-110
 - 04 ND30-42-110A
 - R NC10-42-761
 - L NA01-42-761
- 10 **Insulator, Front Tank** NC10-42-740A
- 11 **Insulator, No. 1 Lwr Tank** NC10-42-743A
- 12 **Insulator, No. 2 Lwr Tank** NC10-42-743A
- 13 **Insulator, No. 3 Lwr Tank** NC10-42-74XC
- 14 **Pump Assy, Fuel**
 - 1999-00 BP4W-13-35ZF
 - 2001-03 BP4W-13-35ZG
 - 2004 w/Turbo BP8J-13-35Z
 - w/o Turbo BP4W-13-35ZG
- 15 **Pump, Fuel**
 - w/Turbo BP8J-13-350
 - w/o Turbo BP4W-13-350A
- 16 **Regulator, Fuel** BP4W-13-280B
- 17 **Gasket, Fuel Pump** BP4W-60-962
- 18 **Gauge, Fuel Tank** NC10-60-960

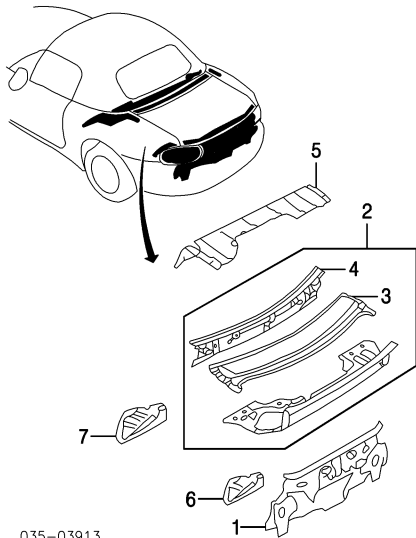
REAR BODY

SHEET METAL

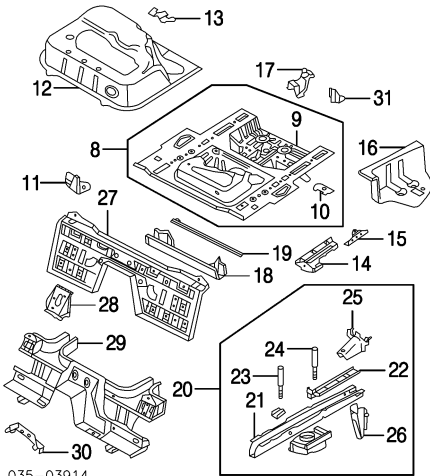
Illustration Located in Next Column

- 1 **Panel, Rear Body**
 - 99-02 NC10-70-750H
 - 03-04 NC72-70-750
- 2 **Panel Assy, Bulkhead** NC10-70-50Y
- 3 **Panel, Rear Deck** NA01-70-521B
- 4 **Member, Rear Deck** NA01-70-530D
- †Included w/Bulkhead Panel Assy*
- 5 **Panel, Package Tray** N066-56-5EXC
- 6 **Plate, Corner**
 - R NC10-70-481B
 - L NC10-71-481B
- 7 **Cover, Service Hole** NA01-56-971
- 8 **Panel Assy, Rear Floor** NCY0-53-710A
- 9 **Panel, Rear Floor** N067-53-71YA
- 10 **Bracket, Lower**
 - 1353-65-190
- †Included w/Rear Floor Panel Assy*
- 11 **Gusset, Floor Center** NA01-53-725A
- 12 **Frame, Upper Floor** N067-53-71X
- 13 **Brace, Frame** NC10-53-718
- 14 **Plate, Side Front**
 - R NA01-53-750B
 - L NA01-54-750B
- 15 **Plate, Side Rear** R/L NA01-53-760B

MAZDA MIATA 1999-04



035-03913



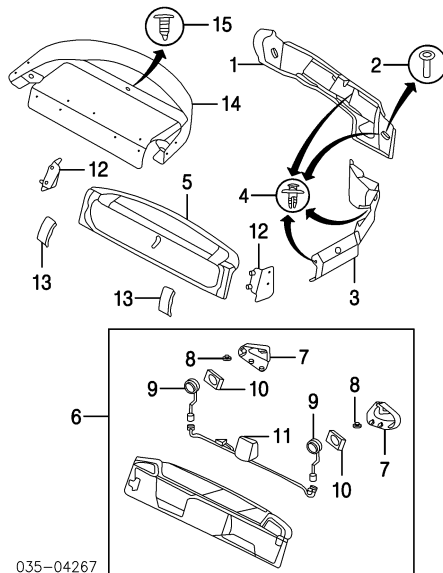
035-03914

- 16 Extension, Rear Floor R NC10-53-741B
L NC10-54-741A
- 17 Bracket, Jack NO67-53-79XB
- 18 Crossmember, Rear Floor NC10-53-931
- 19 Reinf, Rear Floor NC10-53-728
- 20 Rail Assy, Rear R NC10-53-810F
L NC10-54-810F
- 21 Rail, Rear R NC10-53-811A
L NC10-54-811A
- 22 Reinf, Rear Rail R/L NC10-53-82Z
- 23 Bolt, Front Rail R/L 9YA9-91-201A
- 24 Bolt, Rear Rail R/L 9YA9-91-203
- 25 Bracket, Rear Bumper R/L NC10-53-89XA
- 26 Bracket & Hook R NC10-53-890A
L NC10-54-890A
- ¶Included w/Rear Rail Assy*
- 27 Pan, Center Floor 99-02 NO67-53-720A
03-04 NO67-53-720B
- 28 Gusset, Center Floor 99-00 NC10-54-770A
01-04 NO67-54-770B
- 29 Xmbr, Center Floor 99-00 NC72-53-900
01-02 NC72-53-900B
03-04 ND30-53-900
- 30 Brkt, Brake Cable NA01-53-819
- 31 Brkt, Fuel Tank NA01-54-780

INTERIOR TRIM

Illustration Located in Next Column

- 1 Panel, Rear End Trim 99-00 NC10-68-891A-04
01-04 NC72-68-891-04
- 2 Cap, Rear End Trim R/L KA01-68-86YA
- 3 Trim, Side Trunk R NC10-68-851-04
L NC10-68-871-04
- 4 Fastener, Trim (14)
Beige GJ21-68-885B-80
Black GJ21-68-885B-02
Tan GJ21-68-885B-21

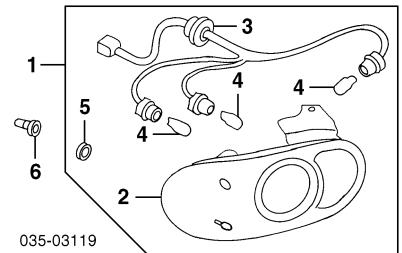


035-04267

- 5 Board, Aero
1999-03 Beige 01-03 N053-68-3X0E-80
Black NC10-V1-260F-02
Tan 99-02 N053-68-3X0E-21
- 6 Board Assy, Aero
2004 w/Rear Speaker w/Bose Speaker System
Beige To 1-1-04 NE06-68-3X0A-80
From 1-1-04 NE06-68-3X0B-80
Black To 1-1-04 NE06-68-3X0A-02
From 1-1-04 NE06-68-3X0B-02
w/o Bose Speaker System
Beige NE01-68-3X0B-80
Black NE01-68-3X0B-02
w/o Rear Speaker
Beige NE45-68-3X0A-80
Black NE45-68-3X0A-02
- 7 Cover, Speaker Beige R NE01-68-84XA-80
Black L NE01-68-86XA-80
R NE01-68-84XA-02
L NE01-68-86XA-02
- 8 Spring, Mounting 1999-03 R/L J001-64-345
2004 To 8-18-03 R/L J001-64-345
From 8-18-03 R/L S47P-64-345
- 9 Speaker, Rear w/Bose Speaker System R/L NE02-66-960A
w/o Bose Speaker System R/L NE01-66-960A
- 10 Bracket, Speaker R/L NE02-66-9B1A
- 11 Amplifier, Radio To 1-1-04 NE02-66-92XA
From 1-1-04 NE02-66-92XB
¶Included w/Aero Board Assy
- 12 Bracket, Board
1999-03 Beige 01-03 R N053-68-3CX-80
L N053-68-3CY-80
Black R N053-68-3CX-02
L N053-68-3CY-02
Tan 99-02 R N053-68-3CX-21
L N053-68-3CY-21
2004 Beige R NE01-68-3CX-80
Black L NE01-68-3CY-80
R NE01-68-3CX-02
L NE01-68-3CY-02
- 13 Cover, Seat Belt
1999-03 Beige 01-03 R N053-68-3R1C-80
L N054-68-3R1C-80
Black R N053-68-3R1C-02
L N054-68-3R1C-02
Tan 99-02 R N053-68-3R1C-21
L N054-68-3R1C-21
2004 Beige R NE01-68-3R1A-80
Black L NE02-68-3R1A-80
R NE01-68-3R1A-02
L NE02-68-3R1A-02
- 14 Trim, Package Tray Sport, Std Pkg
Black NC10-68-3F1E-02
Tan NC10-68-3F1E-21
10th Anniversary Pkg
¶Order by Application
- 15 Fastener, Trim (8/Side)
Beige G032-68-865A-80
Black G032-68-865A-00
Tan G032-68-865A-39

REAR LAMPS

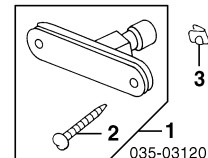
COMBINATION LAMP



035-03119

- 1 Lamp Assy, Combination 99-00 R NC10-51-150C
L NC10-51-160C
01-04 R N066-51-150
L N066-51-160
- 2 Lens & Body 99-00 R NC10-51-170C
L NC10-51-180C
01-04 R N066-51-170
L N066-51-180
- 3 Socket & Wire 99-00 R/L NC10-51-155
01-04 R/L N066-51-155
- 4 Bulb Back-Up R/L 9970-06-210
Signal R/L 9970-06-210Y
Stop/Tail R/L 9970-08-215
- 5 Gasket Outer R/L H432-51-158
Inner R/L N066-51-158
¶Included w/Combination Lamp Assy
- 6 Grommet R/L GA7B-51-146

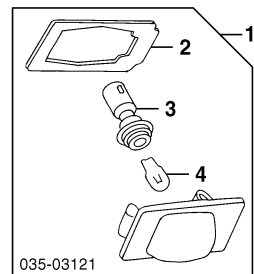
SIDE MARKER LAMP



035-03120

- 1 Lamp Assy, Side Marker R NC10-51-5H0A
L NC10-51-5J0A
- 2 Screw, Lamp (2/Side) R/L 9976-80-420
¶Included w/Side Marker Lamp Assy
- 3 Nut, Lamp (2/Side) R/L G158-50-803

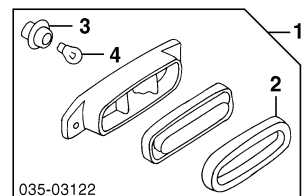
LICENSE LAMP



035-03121

- 1 Lamp Assy, License R/L NC10-51-270B
L NC10-51-273A
- 2 Gasket R/L NC10-51-272
- 3 Socket R/L 0000-11-0194
- 4 Bulb R/L 0000-11-0194
¶Included w/License Lamp Assy

HIGH MOUNT STOP LAMP



035-03122

- 1 Lamp Assy, Stop NC10-51-580C
- 2 Gasket NC10-51-592A
- 3 Socket NA12-51-584A
- 4 Bulb 9970-13-210
¶Included w/Stop Lamp Assy

madpl1_g01_

Procedure Explanation Pages Must Be Used with the Above Text for an Accurate Damage Report.
Comments or suggestions? Need assistance? Call 1-800-854-7030 or 858-578-6550. Ext. 8220. Fax 1-888-256-7969 or 858-549-0629.

253