

© 2009 Mazda Motor of America, Inc.

Subject: DASHBOARD UPPER SURFACE POOR APPEARANCE	Bulletin No: 09-032/09
	Last Issued: 07/07/2009

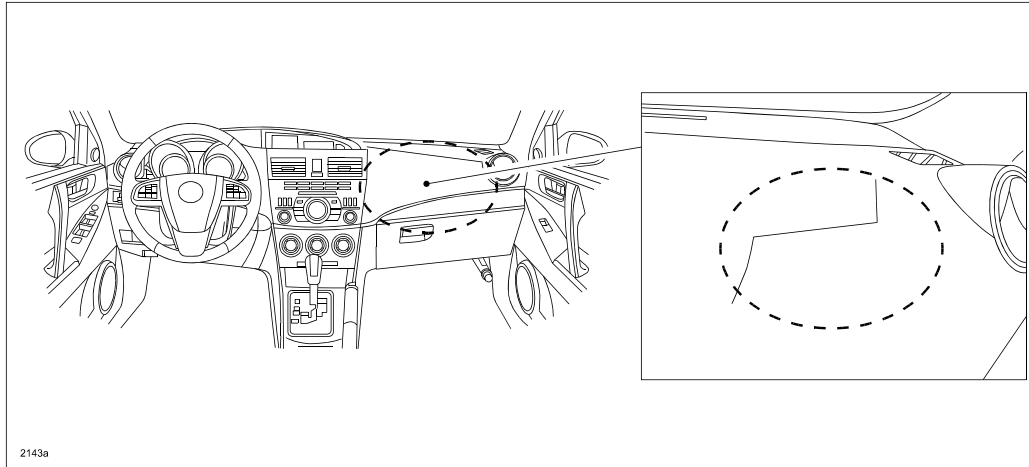
APPLICABLE MODEL(S)/VINS

- 2006-2010 MX-5
- 2004-2010 RX-8
- 2004-2010 Mazda3
- 2006-2010 Mazda5
- 2003-2010 Mazda6
- 2007-2010 CX-7
- 2007-2010 CX-9

DESCRIPTION

Some customers may complain of a poor appearance or lines on upper surface of dashboard on the passenger side. Please explain to the customer that the appearance is normal and does not require repair. The lines are internal and are part of the air bag deployment system. This is normal and does not affect vehicle performance.

NOTE: The line appearance will vary with different lighting conditions.



For your information:

The airbag cover is made of a thin plastic with a tear line incorporated internally for deployment. The appearance concern does not affect vehicle performance and does not require repair.